

FIRE DESIGN SOLUTIONS

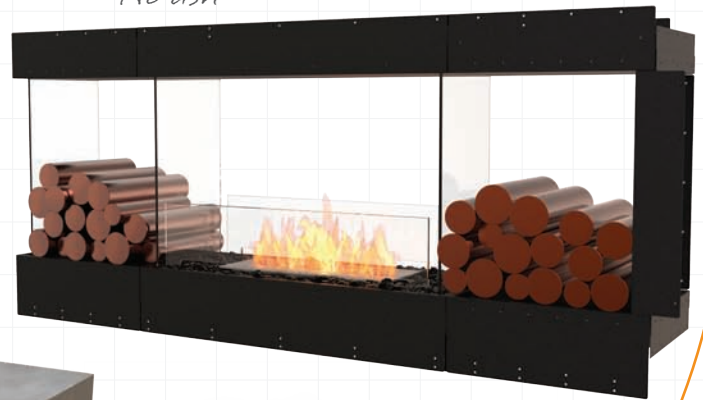
No Flue or
Chimney Needed

Burns clean
No soot
No smoke
No ash

Freestanding & Built-in



No Gas or
Electricity



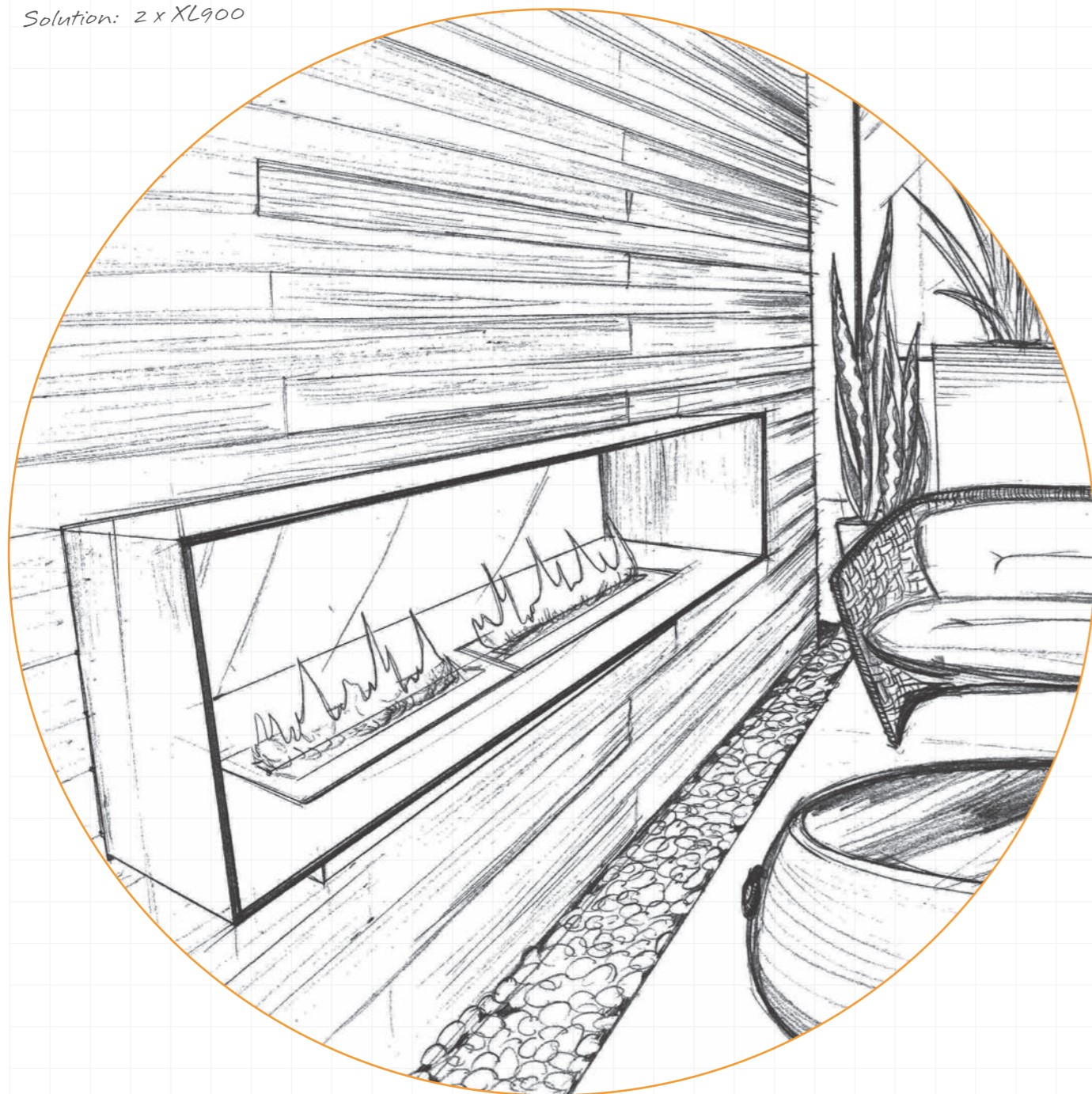
Indoor &
Outdoor Models



Quick & Easy
Installation

Brief: Create a warm and inviting Energy Neutral home.

Solution: 2 x XL900



WE HAVE YOUR FIRE DESIGN SOLUTION

Bring your design ideas to life

Experience absolute design flexibility and freedom with an environmentally friendly ethanol fireplace.

From hand crafted freestanding pieces of “fire” furniture, through to fireplace inserts for built-in custom designs and burner kits for bespoke settings - EcoSmart Fire offers a complete collection of versatile and award winning fireplace solutions that make having an open flame incredibly easy - whatever the setting - at the same time as being good for the environment.

BUILT-IN



4

Bioethanol Burners

The core of all of our fireplaces, offering the ultimate in design and installation flexibility. The residential and commercial creative design possibilities are endless when you use a flueless, vent-free ethanol burner.

Fireplace Inserts

Elegantly designed and robustly constructed, our fireplace inserts are available in a range of styles and finishes. Choose from our Premium Single Sided or Double Sided Fireplaces, six versatile styles in our Flex Fireplace Series or our Curved Fireplaces.

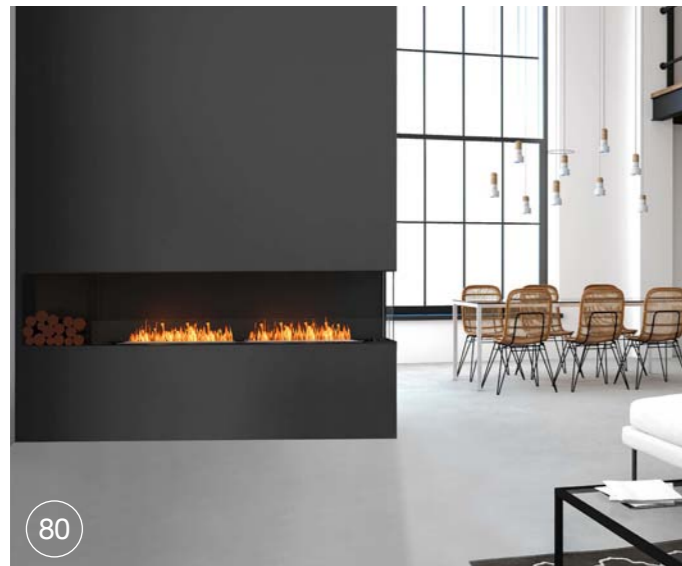
Our fireplaces do not require any flashing, roof work or plumbing, which significantly reduces installation costs and time. Installed with ease, these fireplaces can be integrated within cabinetry or a fireplace setting, EcoSmart fireplaces offer the perfect blend of functionality and design aesthetics.



42



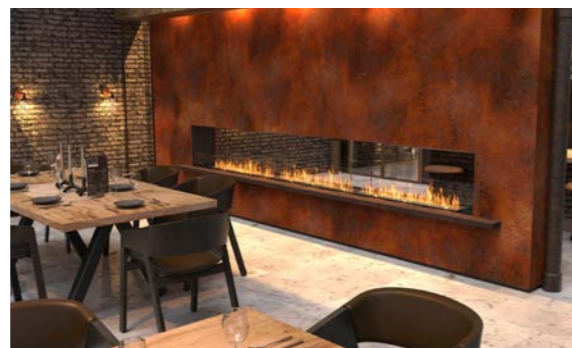
58



80



70



FREESTANDING

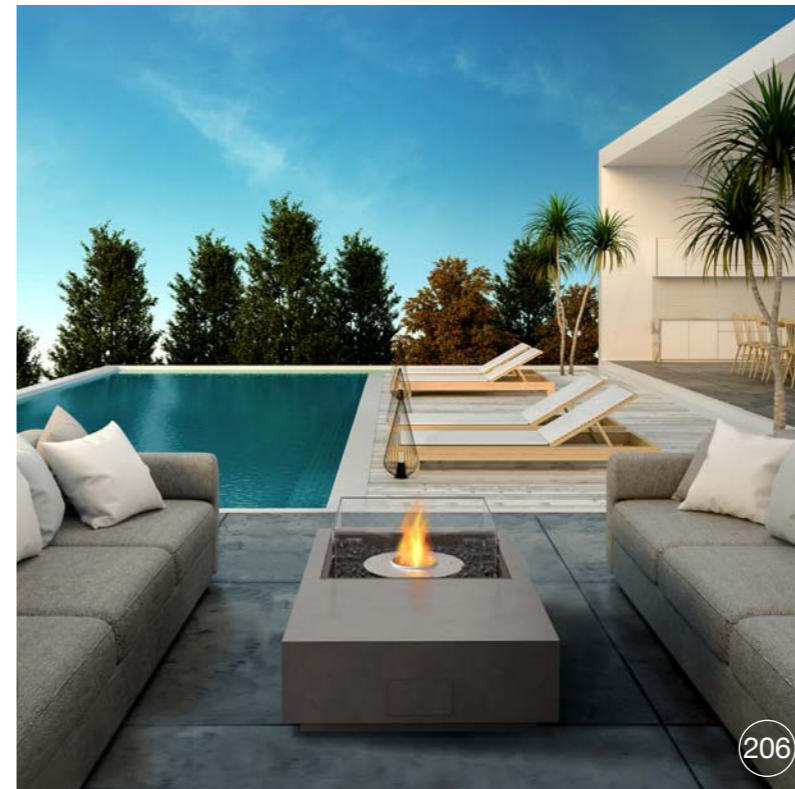


194



Fire Pits

Create a social gathering point with an ethanol fire pit! A cosy and warm fireplace will perfectly complement your contemporary indoor or outdoor space.



206

Fire Tables

Designed for the environment, made for entertaining, built to last – EcoSmart's new range of outdoor fire tables seamlessly integrate fireplace innovation with multifunctional design. This collection cleverly combines sustainable fireplace solutions with dual-purpose ingenuity.



218

Designer Fireplaces

Our freestanding designer fireplaces are beautiful eco-friendly fireplaces that will transform your home and warm your heart. They don't require a flue or a chimney, or any complicated installation. This makes them incredibly quick and easy to install.



226

Accessories

Our clean and simple fireplace screens, fixing systems, top trays, fireplace covers and accessories have been designed to improve the safety of operating an open fireplace without compromising the view to the flame.

BUILT-IN

BIOETHANOL BURNERS



N Apartment, Tel Aviv Israel
Model: XL900 x 2

Israeli architect Pitsou Kedem is a multi-award winning architect known for his minimalist style and timeless design aesthetic – two qualities that attracted him to EcoSmart's contemporary fire solutions.



Read more about this case study at
ecosmartfire.com

BUILT-IN

XL BURNER SERIES



Moama Bowling Club, Australia
3 x XL500's with Custom Fire Screen
& Twin Feet Fixings

Addressing the demand for incorporating stretched flames into custom-designed settings, the linear features of the XL burners perfectly combine their sleek parallel lines with the clean lines of today's contemporary living. An elegant, bright, elongated flame helps 'make' an indoor or outdoor room and creates a distinctive drawcard.

Perfectly and easily integrated into media units, cabinetry, walls, pillars or stone benches, XL burners come in a range of sizes depending on the style you want to achieve. The many, diverse installations around the world are testament to the versatility of these amazing burners.

Included Accessories



Flame Regulation

Purpose-designed baffle inserts allow you to regulate and further stabilise the flame at the same time as increasing fuel efficiency of the burner.

Flip Lid Shut Off System

The series' 'flip lid' shut-off system fits perfectly across the ignition zone to extinguish the flame and, when it is open, denies access to the separated filling point as a deterrent to filling the burner while it is in operation.

A reliable and safe extinguishing system courtesy of a special shut-off mechanism and precision measurements.

Colour

Available in Stainless Steel and Black.

Dedicated Filling Point

A patented filling point is separated from the ignition zone and engineered so that the jerry can spout is fully supported prior to releasing the fuel supply. This eliminates the usual splash and spills that would otherwise occur when fuel is decanted into the burner while simultaneously reinforcing the maximum fill line within the burner.

Shut Off Mechanism

XL burners operate under all conditions, at all temperatures, every time – reliable, consistent and reassuring.

Top Tray

The Top Tray protects against heat transference and aids in the collection of accidental spillage.

To comply with EN 16647 the Top Tray must be installed before operating the burner.

OPTIONAL ACCESSORIES



Fire Screens




Fire Screen Fixings



Black Glass Charcoal

BUILT-IN

XL BURNER SERIES SPECIFICATIONS

BURNERS*	XL1200	XL900	XL700	XL500	XS340
Fuel Capacity	10 L [2.6 Gals]	9 L [2.4 Gals]	7 L [1.8 Gals]	5 L [1.3 Gals]	2.5 L [0.7 Gals]
Heats on Average (when used indoors)	Over 65 square metres [700 square feet]	Over 60 square metres [645 square feet]	Over 50 square metres [538 square feet]	Over 40 square metres [430.6 square feet]	Over 20 square metres [215 square feet]
Fuel Consumption	0.87 L/h [0.23 Gal/h]	0.8 L/h [0.21 Gal/h]	0.7 L/h [0.18 Gal/h]	0.5 L/h [0.13 Gal/h]	0.45 L/h [0.12 Gal/h]
Thermal Output Net (MAX)	17 MJ/h 15,290 BTU/h 4.5 kW	16 MJ/h 15,000 BTU/h 4.4 kW	14.5 MJ/h 13,650 BTU/h 4 kW	12 MJ/h 11,430 BTU/h 3.35 kW	8.93 MJ/h 8,530 BTU/h 2.5 kW
Approx. Burn Time	9 - 14 hours	8 - 13 hours	9 - 12 hours	10 - 13 hours	5 hours
Minimum Room Size (per burner)	115 cubic metres [4061 cubic feet]	110 cubic metres [3884 cubic feet]	90 cubic metres [3178 cubic feet]	80 cubic metres [2825 cubic feet]	45 cubic metres [1589 cubic feet]
Included Accessories Operational accessories designed for safe and ergonomic fire ignition and extinguishing					

COMPATIBLE FIREPLACE INSERTS

720CV, 800SS, 800DB FLEX32, FLEX50.BX, FLEX68.BX2				• ^	
920CV, 1000SS, 1000DB FLEX42, FLEX60.BX, FLEX78.BX2			• ^		
650CV					• ^
1100CV, 1200SS, 1200DB, FLEX50, FLEX68.BX, FLEX86.BX2		• ^			
1500SS, FLEX68, FLEX86. BX, FLEX104.BX2	• ^				
1700SS			• X2 ^		
2100SS, FLEX86, FLEX104.BX, FLEX122.BX2		• X2 ^			
FLEX122, FLEX140.BX, FLEX158.BX2		• X3 ^			
FLEX104, FLEX122.BX, FLEX140.BX2	• X2 ^				
FLEX158	• X3 ^				

COMPATIBLE FREESTANDING FIREPLACES

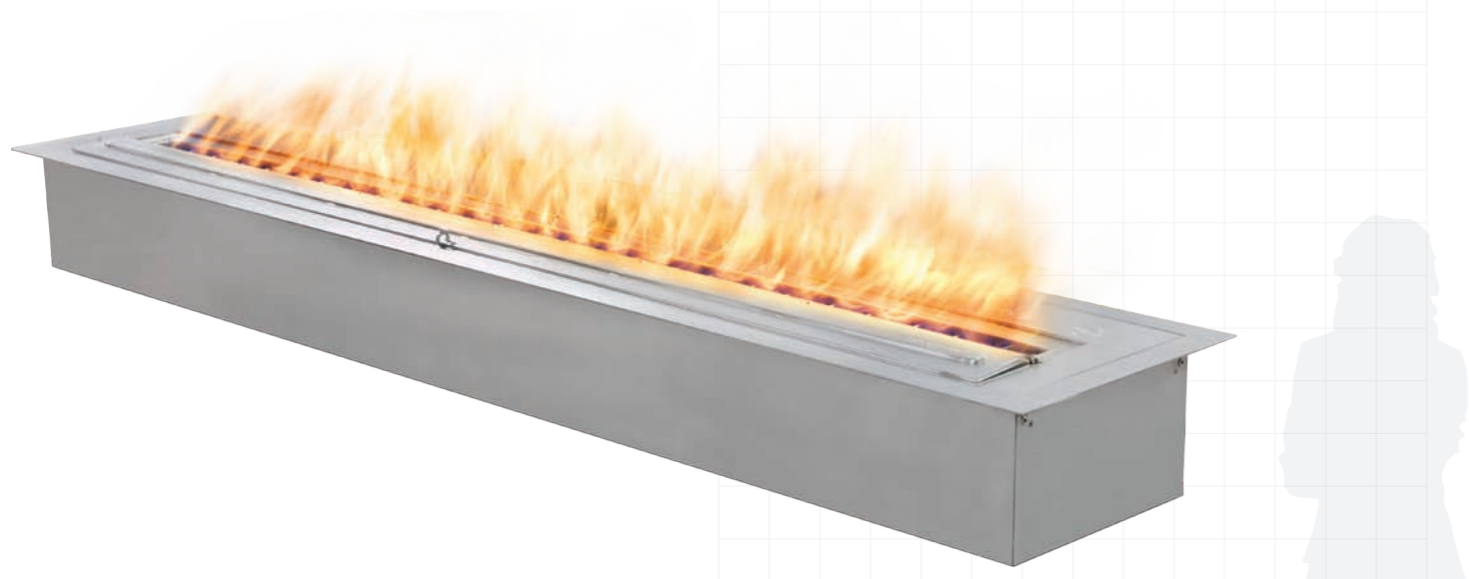
Cosmo, Wharf		•			
--------------	--	---	--	--	--

* These values are indicative only and may vary depending on the model purchased, installation, and the seasonal resource used to manufacture e-NRG.

** Not available in Australia. ^ This model conforms to EN16647.



XL1200



Application	Indoor & Outdoor				
Materials	Grade 304 Stainless Steel				
Weight	20.8kg [45.8lbs]				
Colour & SKU	<table border="0"> <tr> <td> Stainless Steel</td> <td>ESF.B.XL12.WTT</td> </tr> <tr> <td> Black</td> <td>ESF.B.XL12.WTT.BL</td> </tr> </table>	 Stainless Steel	ESF.B.XL12.WTT	 Black	ESF.B.XL12.WTT.BL
 Stainless Steel	ESF.B.XL12.WTT				
 Black	ESF.B.XL12.WTT.BL				
Fuel Type	e-NRG Bioethanol				

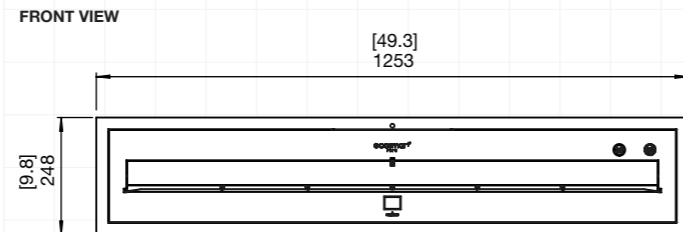
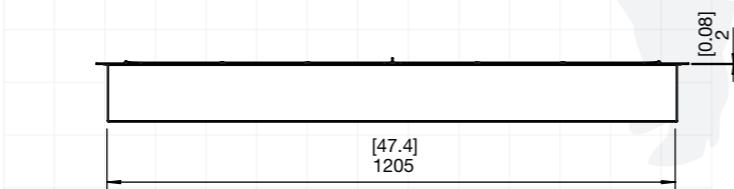
BURNER VENTILATION & EFFICIENCY*

Fuel Capacity	10 Litres [2.6 Gallons]
Heats on Average (when used indoors)	Over 65 square metres [700 square feet]
Fuel Consumption	0.87 L/h [0.23 Gal/h]
Thermal Output Net (MAX)	17 MJ/h - 15,290 BTU/h - 4.5 kW
Burn Time	9 - 14 hours (approx)
Minimum Room Size	115 cubic metres [4061 cubic feet] per burner.
Optional Accessories	Twin Feet Fixings, Fire Screens, Decorative Media

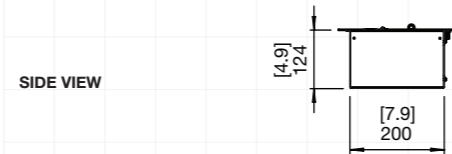
Read the manual carefully before operating the burner. Physical model dimensions should be verified against cut out dimensions BEFORE installation begins to confirm tolerances align.

* These values are indicative only and may vary depending on the model purchased, installation, and the seasonal resource used to manufacture e-NRG.

Global Compliance
All burners are UL Listed in accordance with MH46715/Subject1370 in the USA, Certified by BSI in accordance with EN16647 (excluding VB2), and comply with the ACCC Safety Mandate for Australia.



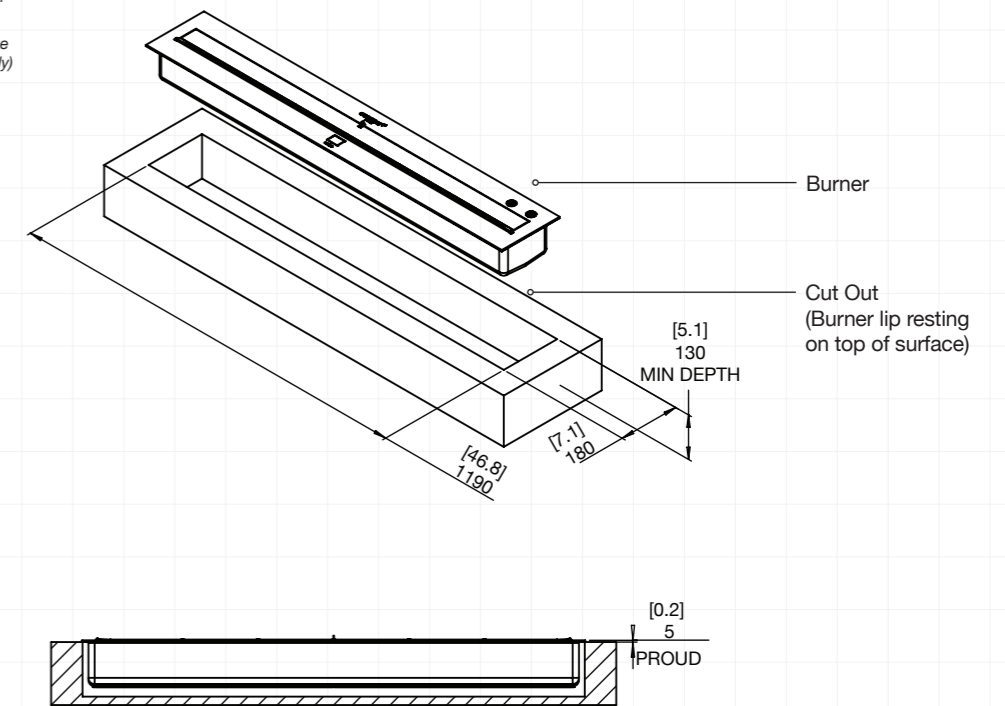
TOP VIEW



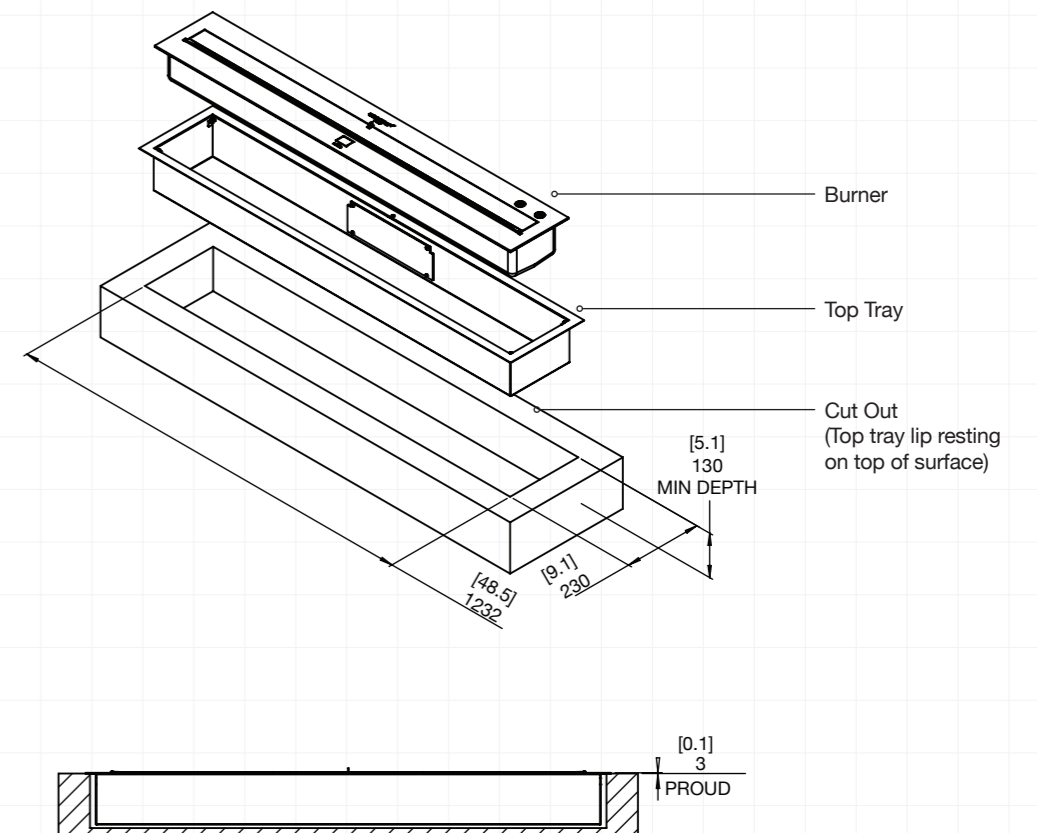
SIDE VIEW

XL1200 CUT OUT DIMENSIONS

Physical model dimensions should be verified against cut out dimensions BEFORE installation begins to confirm tolerances align.
More detailed information is required if using the Sense Detection Module (available in Japan only)



Burner WITHOUT Top Tray



Burner WITH Top Tray

XL900



Application	Indoor & Outdoor				
Awards	2009 Hearth & Home Vesta Award (USA)				
Materials	Grade 304 Stainless Steel				
Weight	16.2kg [35.6lbs]				
Colour & SKU	<table border="0"> <tr> <td> Stainless Steel</td> <td>ESFB.XL9.WTT</td> </tr> <tr> <td> Black</td> <td>ESFB.XL9.WTT.BL</td> </tr> </table>	 Stainless Steel	ESFB.XL9.WTT	 Black	ESFB.XL9.WTT.BL
 Stainless Steel	ESFB.XL9.WTT				
 Black	ESFB.XL9.WTT.BL				
Fuel Type	e-NRG Bioethanol				

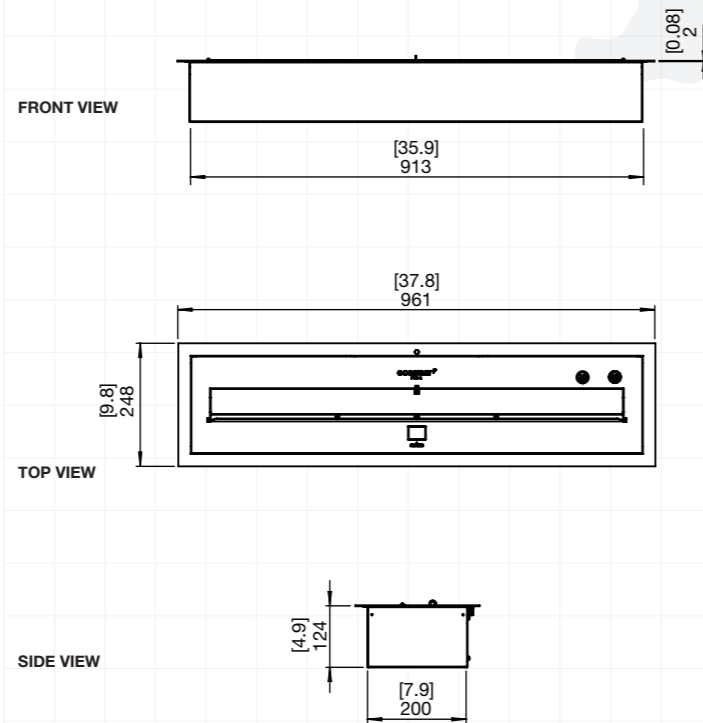
BURNER VENTILATION & EFFICIENCY*

Fuel Capacity	9 Litres [2.4 Gallons]
Heats on Average (when used indoors)	Over 60 square metres [645 square feet]
Fuel Consumption	0.8 L/h [0.21 Gal/h]
Thermal Output Net (MAX)	16 MJ/h - 15,000 BTU/h - 4.4 kW
Burn Time	8 - 13 hours (approx)
Minimum Room Size	110 cubic metres [3884 cubic feet] per burner.
Optional Accessories	Twin Feet Fixings, Fire Screens, Decorative Media

Read the manual carefully before operating the burner. Physical model dimensions should be verified against cut out dimensions BEFORE installation begins to confirm tolerances align.

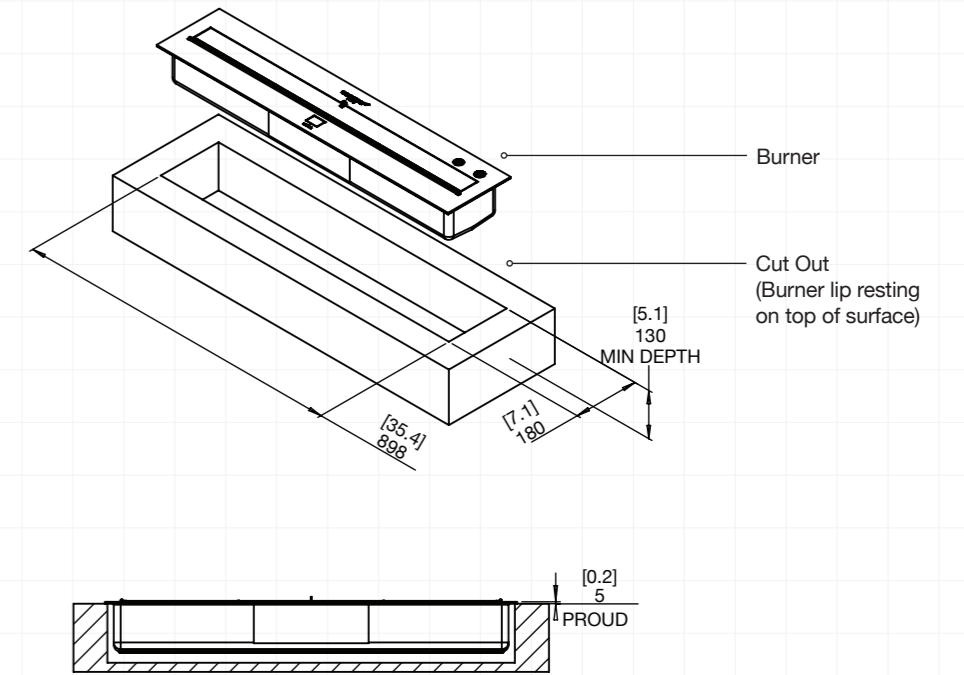
* These values are indicative only and may vary depending on the model purchased, installation, and the seasonal resource used to manufacture e-NRG.

Global Compliance
All burners are UL Listed in accordance with MH46715/Subject1370 in the USA, Certified by BSI in accordance with EN16647 (excluding VB2), and comply with the ACCC Safety Mandate for Australia.

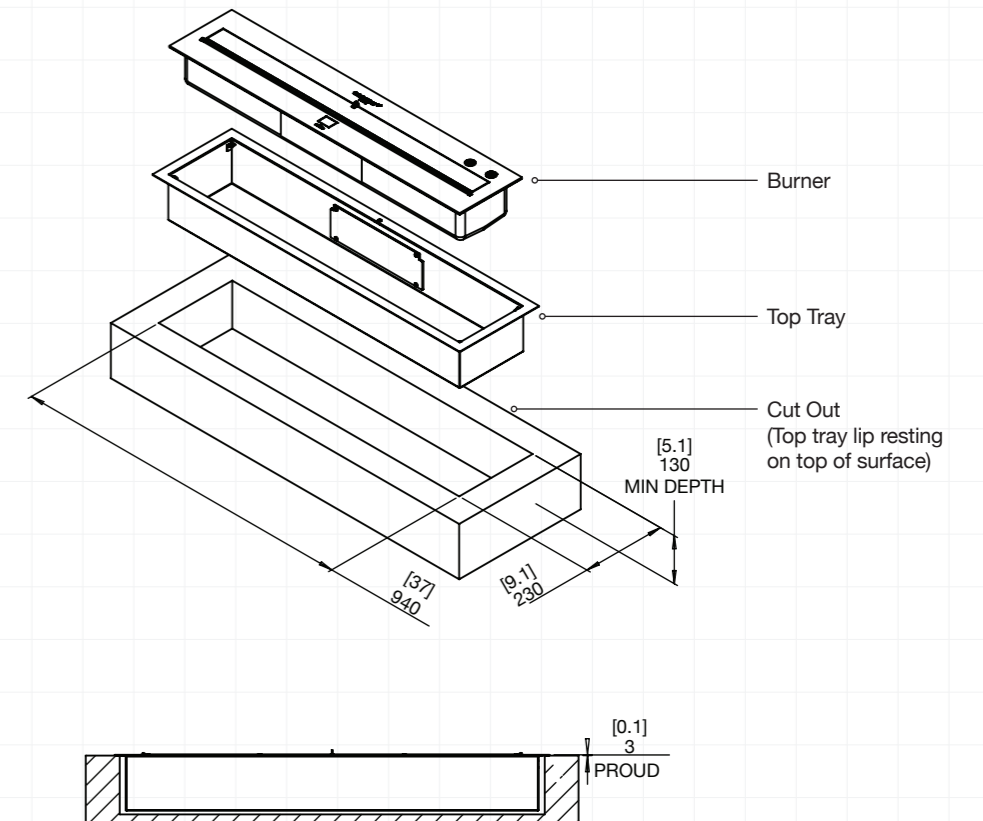


XL900 CUT OUT DIMENSIONS

Physical model dimensions should be verified against cut out dimensions BEFORE installation begins to confirm tolerances align.
More detailed information is required if using the Sense Detection Module (available in Japan only)



Burner WITHOUT Top Tray



Burner WITH Top Tray

XL700



Application	Indoor & Outdoor				
Materials	Grade 304 Stainless Steel				
Weight	12.5kg [27.6lbs]				
Colour & SKU	<table border="0"> <tr> <td> Stainless Steel</td> <td>ESF.B.XL7.WTT</td> </tr> <tr> <td> Black</td> <td>ESF.B.XL7.WTT.BL</td> </tr> </table>	 Stainless Steel	ESF.B.XL7.WTT	 Black	ESF.B.XL7.WTT.BL
 Stainless Steel	ESF.B.XL7.WTT				
 Black	ESF.B.XL7.WTT.BL				
Fuel Type	e-NRG Bioethanol				

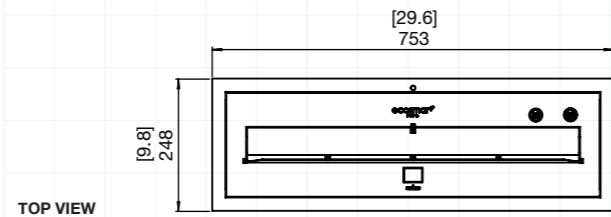
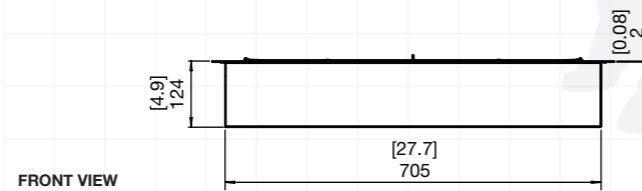
BURNER VENTILATION & EFFICIENCY*

Fuel Capacity	7 Litres [1.8 Gallons]
Heats on Average (when used indoors)	Over 50 square metres [538 square feet]
Fuel Consumption	0.7 L/h [0.18 Gal/h]
Thermal Output Net (MAX)	14.5 MJ/h - 13,650 BTU/h - 4 kW
Burn Time	9 - 12 hours (approx)
Minimum Room Size	90 cubic metres [3178 cubic feet] per burner.
Optional Accessories	Twin Feet Fixings, Fire Screens, Decorative Media

Read the manual carefully before operating the burner. Physical model dimensions should be verified against cut out dimensions BEFORE installation begins to confirm tolerances align.

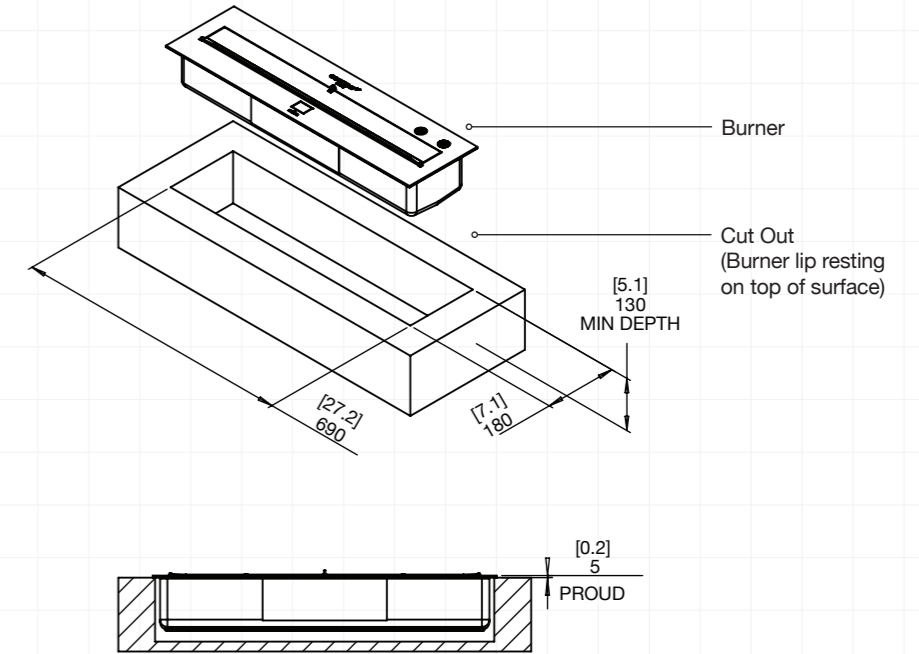
* These values are indicative only and may vary depending on the model purchased, installation, and the seasonal resource used to manufacture e-NRG.

Global Compliance
All burners are UL Listed in accordance with MH46715/Subject1370 in the USA, Certified by BSI in accordance with EN16647 (excluding VB2), and comply with the ACCC Safety Mandate for Australia.

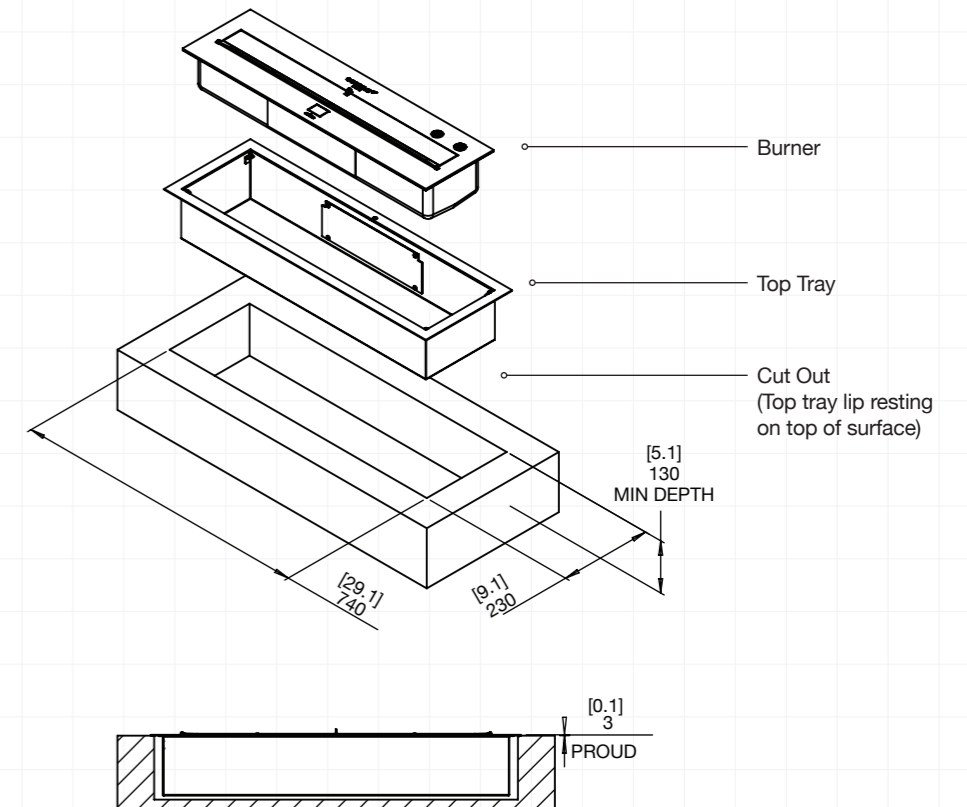


XL700 CUT OUT DIMENSIONS

Physical model dimensions should be verified against cut out dimensions BEFORE installation begins to confirm tolerances align.
More detailed information is required if using the Sense Detection Module (available in Japan only)



Burner WITHOUT Top Tray



Burner WITH Top Tray

XL500



Application	Indoor & Outdoor				
Materials	Grade 304 Stainless Steel				
Weight	9.1kg [20lbs]				
Colour & SKU	<table border="0"> <tr> <td> Stainless Steel</td> <td>ESF.B.XL5.WTT</td> </tr> <tr> <td> Black</td> <td>ESF.B.XL5.WTT.BL</td> </tr> </table>	 Stainless Steel	ESF.B.XL5.WTT	 Black	ESF.B.XL5.WTT.BL
 Stainless Steel	ESF.B.XL5.WTT				
 Black	ESF.B.XL5.WTT.BL				
Fuel Type	e-NRG Bioethanol				

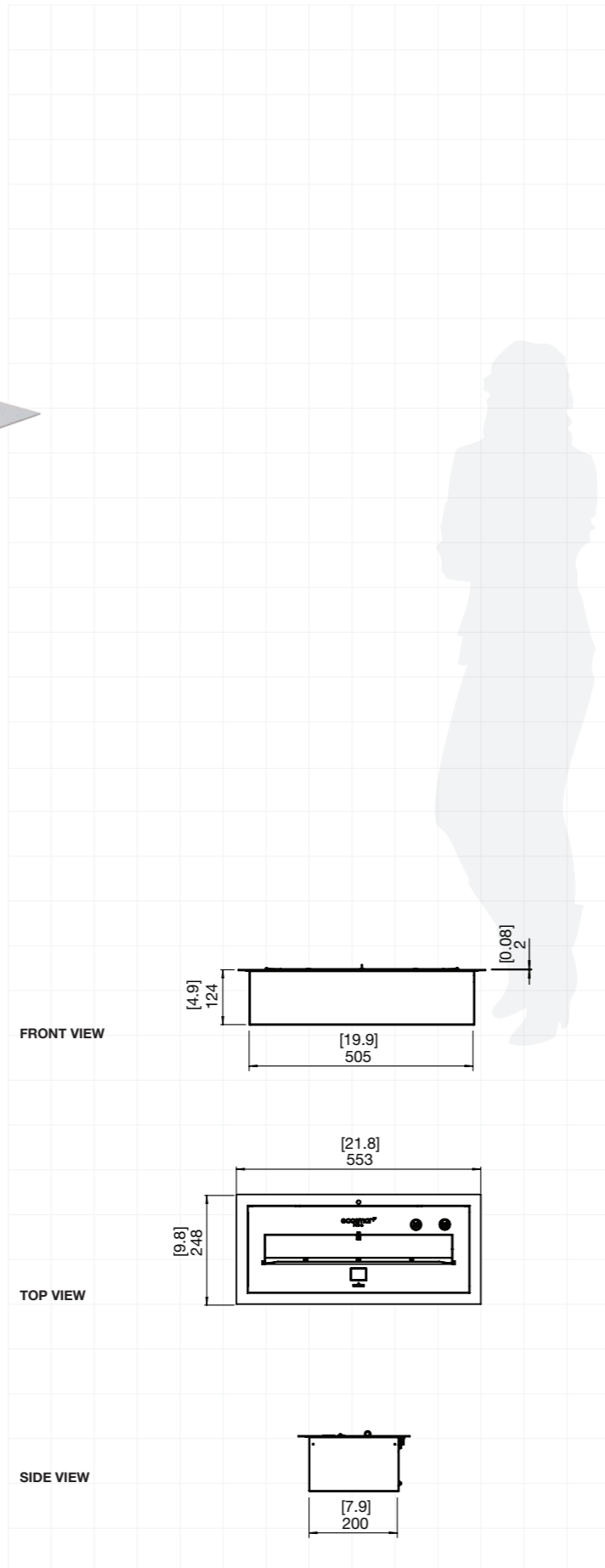
BURNER VENTILATION & EFFICIENCY*

Fuel Capacity	5 Litres [1.3 Gallons]
Heats on Average <small>(when used indoors)</small>	Over 40 square metres [430.6 square feet]
Fuel Consumption	0.5 L/h [0.13 Gal/h]
Thermal Output Net (MAX)	12 MJ/h - 11,430 BTU/h - 3.35 kW
Burn Time	10 - 13 hours (approx)
Minimum Room Size	80 cubic metres [2825 cubic feet] per burner.
Optional Accessories	Twin Feet Fixings, Fire Screens, Decorative Media

Read the manual carefully before operating the burner. Physical model dimensions should be verified against cut out dimensions BEFORE installation begins to confirm tolerances align.

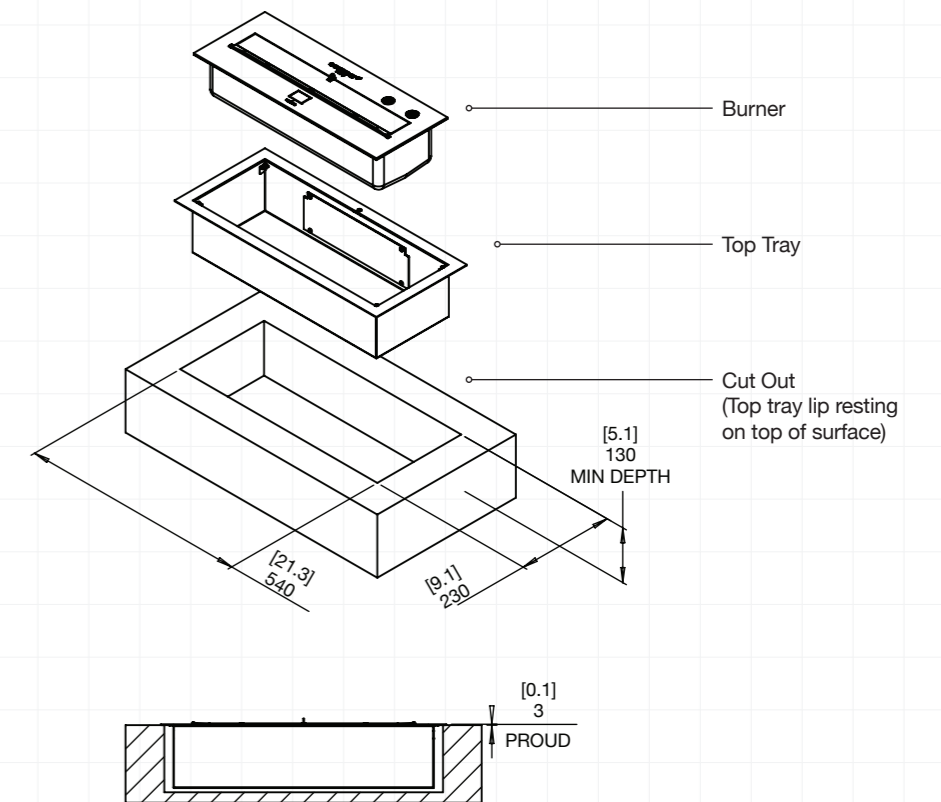
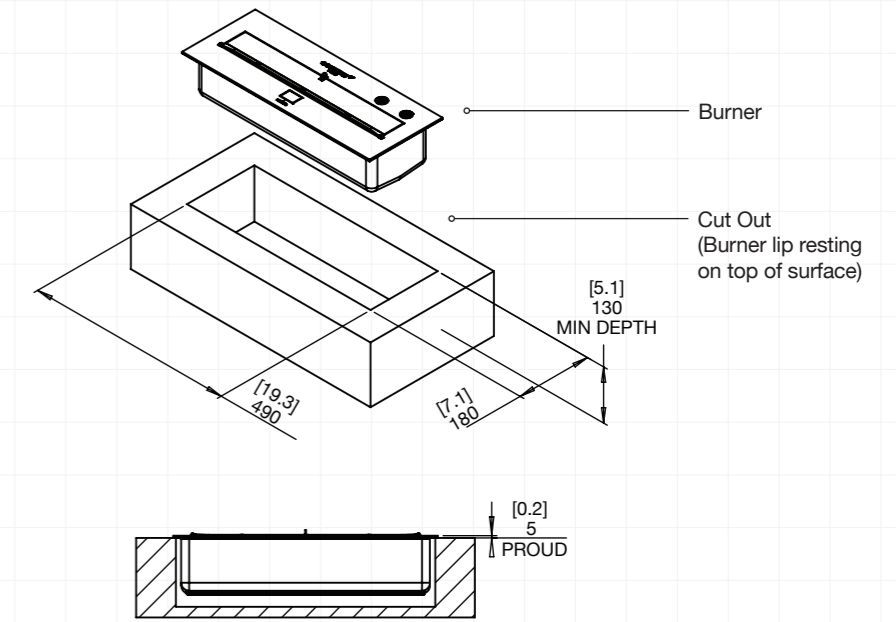
* These values are indicative only and may vary depending on the model purchased, installation, and the seasonal resource used to manufacture e-NRG.

Global Compliance
All burners are UL Listed in accordance with MH46715/Subject1370 in the USA, Certified by BSI in accordance with EN16647 (excluding VB2), and comply with the ACCC Safety Mandate for Australia.



XL500 CUT OUT DIMENSIONS

Physical model dimensions should be verified against cut out dimensions BEFORE installation begins to confirm tolerances align.
More detailed information is required if using the Sense Detection Module (available in Japan only)



XS340



Application	Indoor & Outdoor				
Materials	Grade 304 Stainless Steel				
Weight	5.4kg 11.9lbs]				
Colour & SKU	<table border="0"> <tr> <td> Stainless Steel</td> <td>ESF.B.XS3.WTT</td> </tr> <tr> <td> Black</td> <td>ESF.B.XS3.WTT.BL</td> </tr> </table>	 Stainless Steel	ESF.B.XS3.WTT	 Black	ESF.B.XS3.WTT.BL
 Stainless Steel	ESF.B.XS3.WTT				
 Black	ESF.B.XS3.WTT.BL				
Fuel Type	e-NRG Bioethanol				

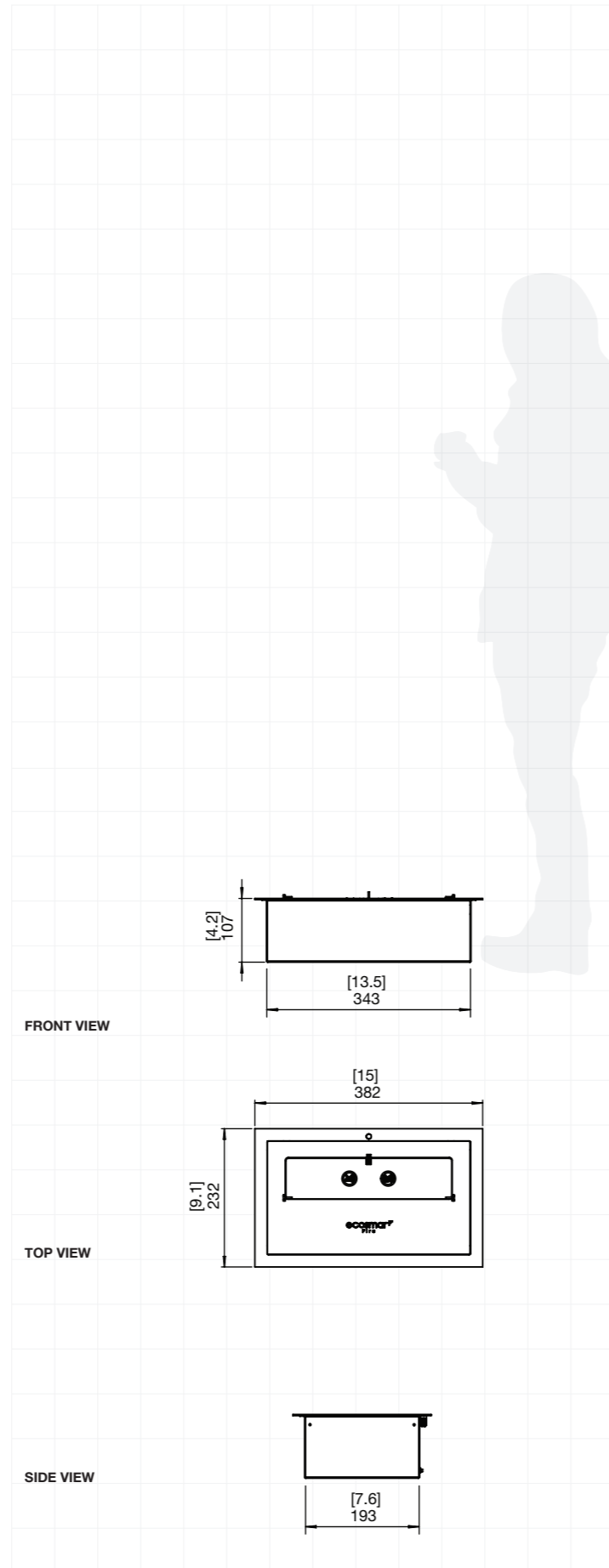
BURNER VENTILATION & EFFICIENCY*

Fuel Capacity	2.5 Litres [0.7 Gallons]
Heats on Average (when used indoors)	Over 20 square metres [215 square feet]
Fuel Consumption	0.45 L/h [0.12 Gal/h]
Thermal Output Net (MAX)	8.93 MJ/h - 8,530 BTU/h - 2.5 kW
Burn Time	5 hours (approx)
Minimum Room Size	45 cubic metres [1589 cubic feet] per burner.
Optional Accessories	Twin Feet Fixings, Fire Screens, Decorative Media

Read the manual carefully before operating the burner. Physical model dimensions should be verified against cut out dimensions BEFORE installation begins to confirm tolerances align.

* These values are indicative only and may vary depending on the model purchased, installation, and the seasonal resource used to manufacture e-NRG.

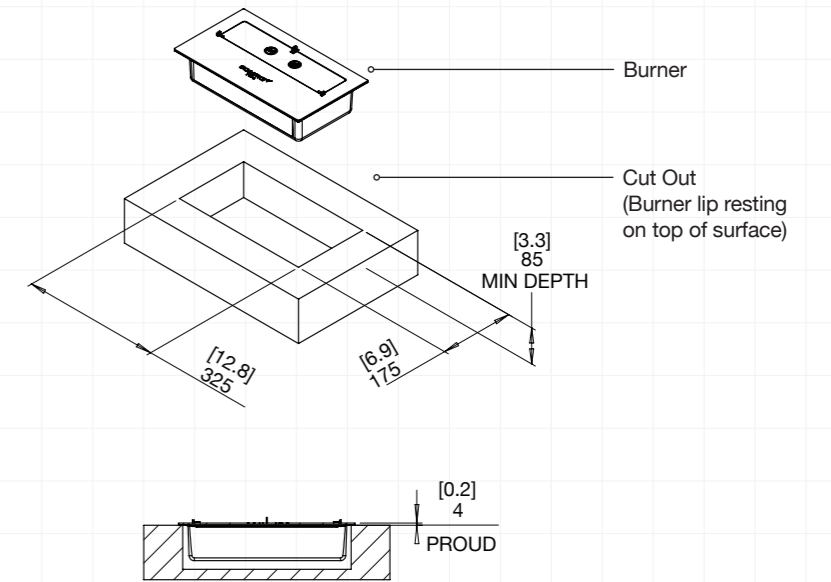
Global Compliance
All burners are UL Listed in accordance with MH46715/Subject1370 in the USA, Certified by BSI in accordance with EN16647 (excluding VB2), and comply with the ACCC Safety Mandate for Australia.



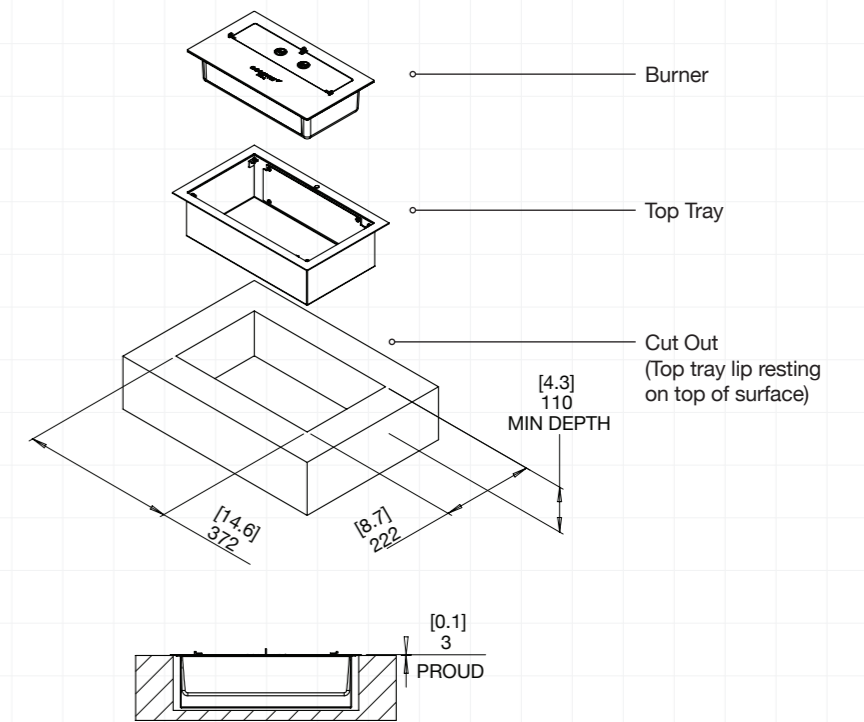
XS340 CUT OUT DIMENSIONS

Physical model dimensions should be verified against cut out dimensions BEFORE installation begins to confirm tolerances align.
More detailed information is required if using the Sense Detection Module (available in Japan only)

Burner WITHOUT Top Tray



Burner WITH Top Tray



BUILT-IN

BK BURNER SERIES



The Lake View Toya Nonokaze Resort, Japan
Model: BK5

The original ethanol burner within the EcoSmart Fire range – and one of the most versatile. A core component of many portable Freestanding Fires, Fireplace Inserts and individually designed indoor and outdoor fires. You're only limited by your imagination.

Comprehensively tested, safety is a key consideration. A highly versatile and environmentally friendly fire design tool.

Included Accessories



Reliable Operation

BK's minimalist design and ability to withstand extreme heat result in consistent and reliable operation at all temperatures and permitted fuel levels.

Safe Filling

Perfectly aligned slider mechanism, filling point and fuelling system that allows an unobstructed view of the burner tank. This ensures the burner is not filled above the maximum capacity line.

An additional safety measure that prevents the filling point from being accessed while the slider is open. This ensures the flame is fully extinguished before the burner can be refuelled.

Colour

Available in Stainless Steel.

Seamless Construction

A deep-drawn fabrication process that eliminates the potential for dangerous leaks, while the standard provision of a top tray to hold the burner adds further peace of mind.

Dedicated Filling Point

A separate filling point and jerry can equipped with a safety spout, allows the burner to be refuelled safely and easily. The spout rests on a plate within the filling point to decrease the risk of over-filling the burner and eliminating the usual splash and spills that would otherwise occur when fuel is decanted into the burner.

Flame Regulation

Easy flame control that allows you to regulate the amount of heat being generated, and therefore the amount of fuel consumed. This results in a highly economical and efficient burner.

Top Tray

The Top Tray protects against heat transference and aids in the collection of accidental spillage.

To comply with EN 16647 the Top Tray must be installed before operating the burner.

OPTIONAL ACCESSORIES



Fire Screens







Fire Screen Fixings



Black Glass Charcoal

BUILT-IN

BK BURNER SERIES SPECIFICATIONS

BURNER*	BK5
Fuel Capacity	5 Litres [1.3 Gallons]
Heats on Average <small>(when used indoors)</small>	Over 35 square metres [376.7 square feet]
Fuel Consumption	0.64 L/h [0.17 Gal/h]
Thermal Output Net (MAX)	14 MJ/h 13,000 BTU/h 3.5 kW
Approx. Burn Time	7 - 11 hours
Minimum Room Size (per burner)	70 cubic metres [2472 cubic feet]
Included Accessories <small>Operational accessories designed for safe and ergonomic fire ignition and extinguishing</small>	    <p>Jerry Can Lighting Rod + Lighter Operations Manual Top Tray</p>

COMPATIBLE FIREPLACE INSERTS

650SS, 650DB	• ^
900SS, 900DB	• ^

COMPATIBLE FREESTANDING FIREPLACES

Igloo	• ^
-------	-----

* These values are indicative only and may vary depending on the model purchased, installation, and the seasonal resource used to manufacture e-NRG.

** Not available in Australia. ^ This model conforms to EN16647.

BK5



BK5



Application	Indoor & Outdoor
Awards	2004 Winner Design Mark Australian International Design Awards Sydney (AUS)
Materials	Grade 304 Stainless Steel
Weight	7.6kg [16.6lbs]
Colour & SKU	Stainless Steel ESF.1.B.BK5
Fuel Type	e-NRG Bioethanol

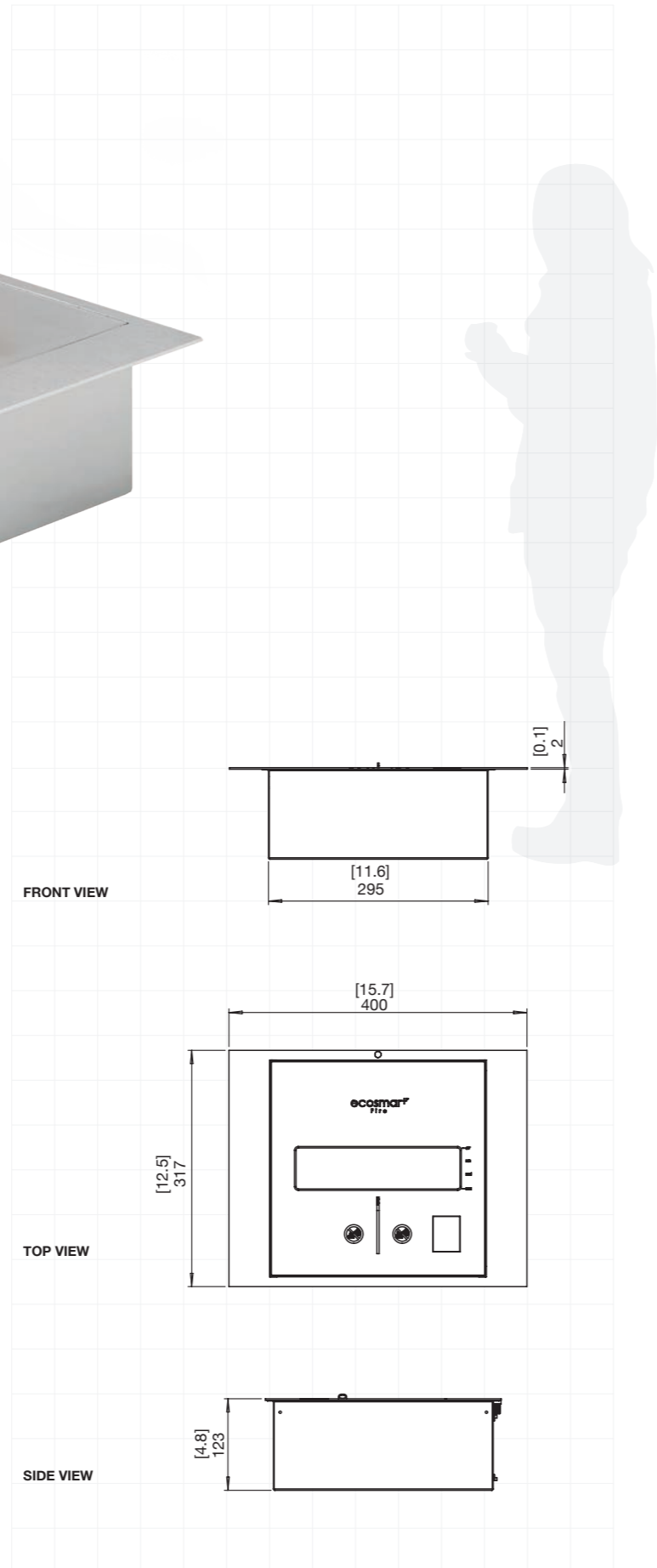
BURNER VENTILATION & EFFICIENCY*

Fuel Capacity	5 Litres [1.3 Gallons]
Heats on Average (when used indoors)	Over 35 square metres [376.7 square feet]
Fuel Consumption	0.64 L/h [0.17 Gal/h] on MAX
Thermal Output Net (MAX)	14 MJ/h - 13,000 BTU/h - 3.5 kW
Burn Time	7 - 11 hours (approx)
Minimum Room Size	70 cubic metres [2472 cubic feet] per fireplace.
Optional Accessories	Twin Feet Fixings, Fire Screens, Decorative Media

Read the manual carefully before operating the burner. Physical model dimensions should be verified against cut out dimensions BEFORE installation begins to confirm tolerances align.

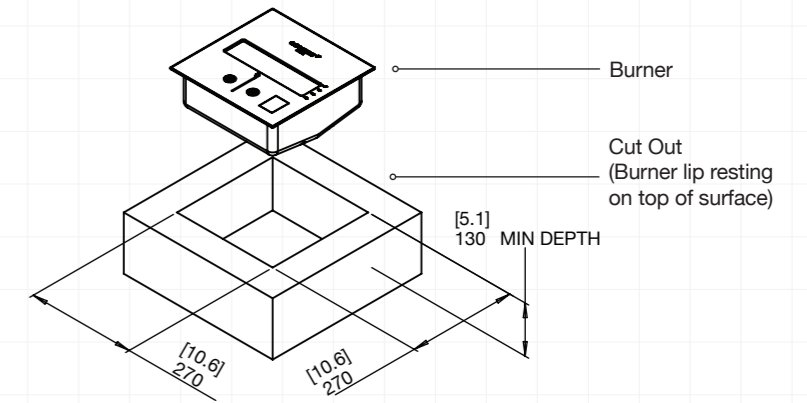
* These values are indicative only and may vary depending on the model purchased, installation, and the seasonal resource used to manufacture e-NRG.

Global Compliance
All burners are UL Listed in accordance with MH46715/Subject1370 in the USA, Certified by BSI in accordance with EN16647 (excluding VB2), and comply with the ACCC Safety Mandate for Australia.

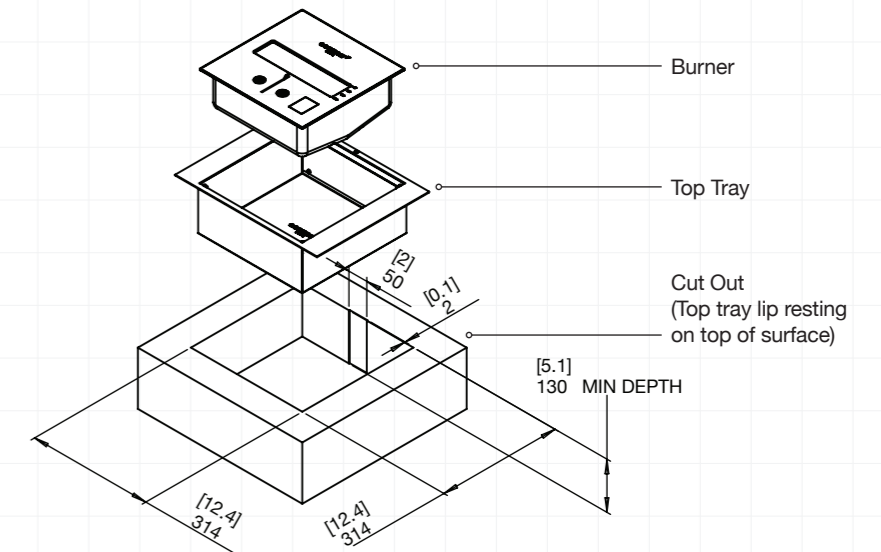
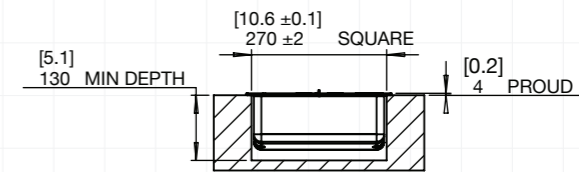


BK5 CUT OUT DIMENSIONS

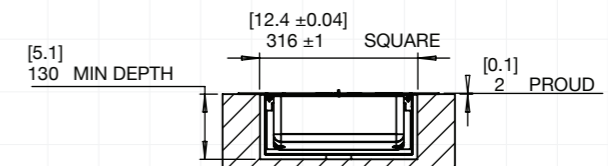
Physical model dimensions should be verified against cut out dimensions BEFORE installation begins to confirm tolerances align.
More detailed information is required if using the Sense Detection Module (available in Japan only)



Burner WITHOUT Top Tray



Burner WITH Top Tray



BUILT-IN

AB BURNER SERIES



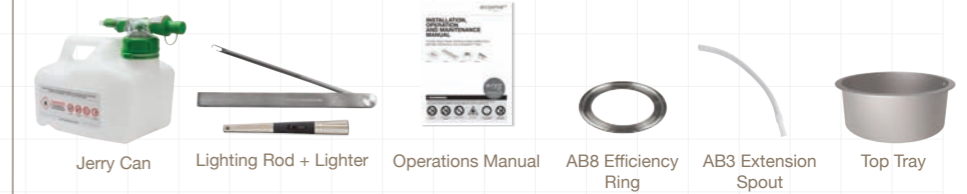
Oswald Down South Home, Australia
Model: AB8

Versatility and modern shape provide the ideal tool for individual fire designs – and the AB ethanol burners are at the heart of many EcoSmart outdoor fireplaces. A simple, elegant and powerfully effective stainless steel burner for residential and commercial applications.

Consistent and Reliable

It's minimalist design and ability to withstand extreme heat result in consistent and reliable operation at all temperatures and permitted fuel levels.

Included Accessories



Colour

Available in Stainless Steel and Black.

Efficiency Ring

The Efficiency Ring is placed over the internal burner vents when cold and not operating and serve to increase the efficiency of the burner as well as further stabilise the flame of the burner.

To comply with EN 16647 the Efficiency Ring must be installed before operating the burner.

Dual Function Lid

A simple lid is used to extinguish the flame and cover the burner opening when it is not in use. This prevents dust particles, leaf litter, rain and debris from falling into the 304 grade stainless steel tank, leaving it clean and safe for use year round.

Top Tray

The Top Tray protects against heat transference and aids in the collection of accidental spillage.

To comply with EN 16647 the Top Tray must be installed before operating the burner.

Dedicated Filling Point

A designated, in-built filling point to ensure the same procedures can be followed to decrease the likelihood of overfilling.

OPTIONAL ACCESSORIES



Fire Screens



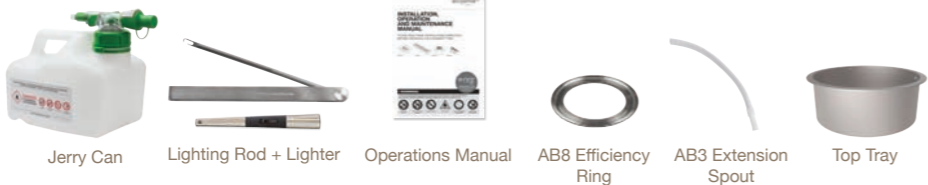
Fire Screen Fixings



Black Glass Charcoal

BUILT-IN

AB BURNER SERIES SPECIFICATIONS

BURNERS*	AB8	AB8 (EN)	AB3
Fuel Capacity	8 Litres [2.1 Gallons]	8 Litres [2.1 Gallons]	2.5 Litres [0.7 Gallons]
Heats on Average <small>(when used indoors)</small>	Over 60 square metres [645 square feet]	Over 30 square metres [322.9 square feet]	Over 20 square metres [215 square feet]
Fuel Consumption	1.1 L/h [0.29 Gal/h]	0.7 L/h [0.18 Gal/h]	0.31 L/h [0.1 Gal/h]
Thermal Output Net (MAX)	21.56 MJ/h 20,433 BTU/h 5.99 kW	13.9 MJ/h 12,860 BTU/h 3.77 kW	6.14 MJ/h 5,800 BTU/h 1.7 kW
Approx. Burn Time	7 - 11 hours	9 - 11 hours	8 - 11 hours
Minimum Room Size (per burner)	116 cubic metres [4096 cubic feet]	116 cubic metres [4096 cubic feet]	40 cubic metres [1413 cubic feet]
Included Accessories Operational accessories designed for safe and ergonomic fire ignition and extinguishing	 <p>Jerry Can Lighting Rod + Lighter Operations Manual AB8 Efficiency Ring AB3 Extension Spout Top Tray</p>		

COMPATIBLE FIREPLACE INSERTS

FLEX18			• ^
--------	--	--	-----

COMPATIBLE FREESTANDING FIREPLACES

Ark44, Ark40	•	•	
Base	•	•	
Cyl**			•
Ghost			• ^
Glow	•	•	
Lighthouse Series**			•
Manhattan			
Martini			
POD Series			
Mini T**			•
MIX850	•	•	
MIX600			•
Stix			•

* These values are indicative only and may vary depending on the model purchased, installation, and the seasonal resource used to manufacture e-NRG.

** Not available in Australia. ^ This model conforms to EN16647.



AB8



AB3

AB8*



Application	Indoor & Outdoor				
Materials	Grade 304 Stainless Steel				
Weight	8.2kg [18.1lbs]				
Colour & SKU	<table border="0"> <tr> <td> Stainless Steel</td> <td>ESFB.AB8.WTT</td> </tr> <tr> <td> Black</td> <td>ESFB.AB8.WTT.BL</td> </tr> </table>	 Stainless Steel	ESFB.AB8.WTT	 Black	ESFB.AB8.WTT.BL
 Stainless Steel	ESFB.AB8.WTT				
 Black	ESFB.AB8.WTT.BL				
Fuel Type	e-NRG Bioethanol				

BURNER VENTILATION & EFFICIENCY**

	Without Efficiency Ring	With Efficiency Ring (EN Compliant)
Heats on Average <small>(when used indoors)</small>	Over 60m ² [645ft ²]	Over 30m ² [322.9ft ²]
Fuel Consumption	1.1 L/h [0.29 Gal/h]	0.7 L/h [0.18 Gal/h]
Thermal Output Net (MAX)	21.56 MJ/h 20,433 BTU/h 5.99 kW	13.9 MJ/h 12,860 BTU/h 3.77kW
Burn Time (approx)	7 - 11 hours	9 - 11 hours
Fuel Capacity	8 Litres [2.1 Gallons]	
Minimum Room Size	116 cubic metres [4096 cubic feet] per fireplace.	
Optional Accessories	Twin Feet Fixings, Fire Screens, Decorative Media	

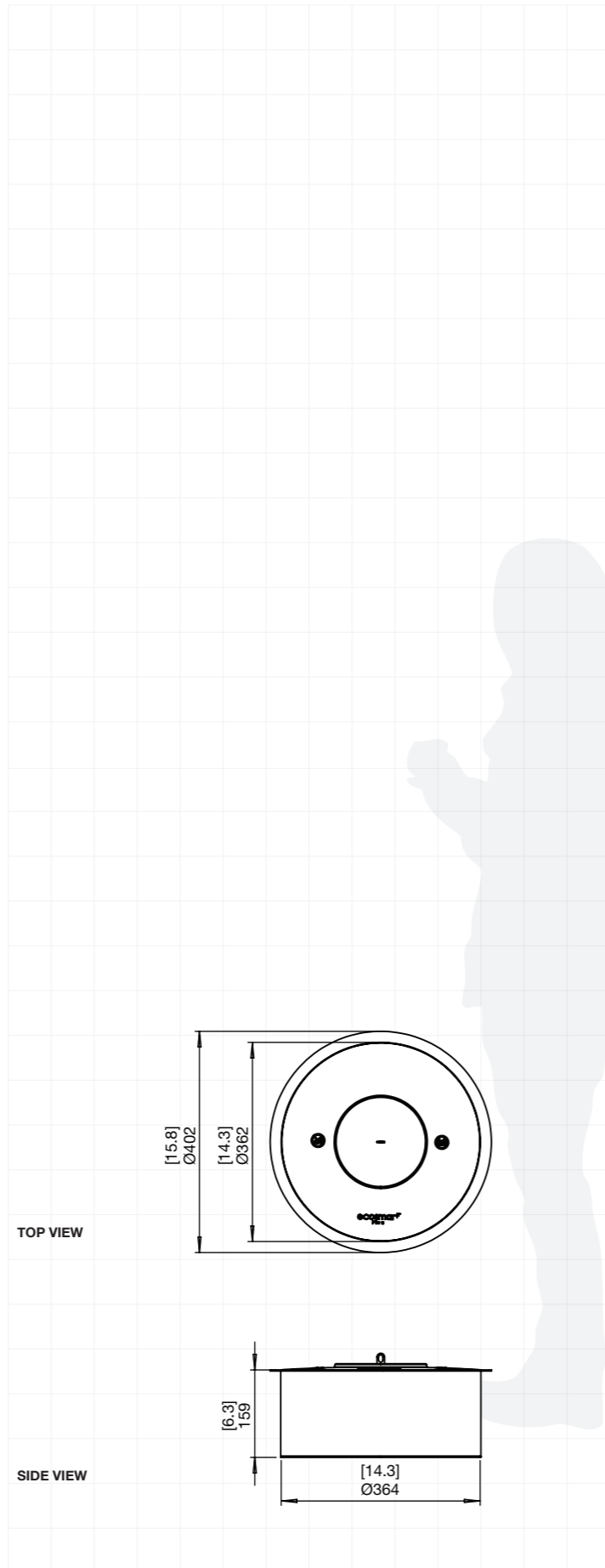
Read the manual carefully before operating the burner. Physical model dimensions should be verified against cut out dimensions BEFORE installation begins to confirm tolerances align.

*To comply with EN 16647 the Efficiency Ring and Top Tray must be installed before operating the burner.

**These values are indicative only and may vary depending on the model purchased, installation, and the seasonal resource used to manufacture e-NRG.

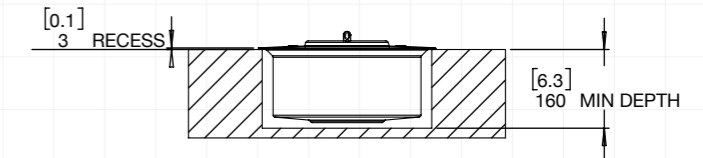
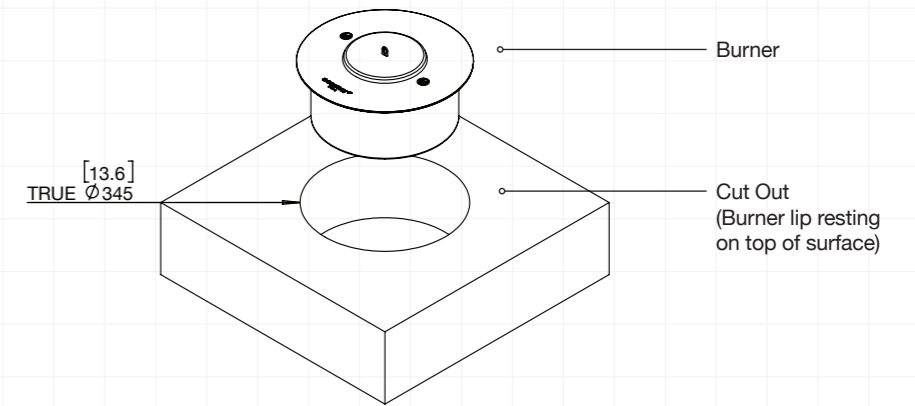
Global Compliance

All burners are UL Listed in accordance with MH46715/Subject1370 in the USA, Certified by BSI in accordance with EN16647 (excluding VB2), and comply with the ACCC Safety Mandate for Australia.

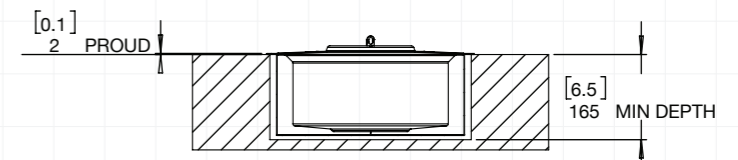
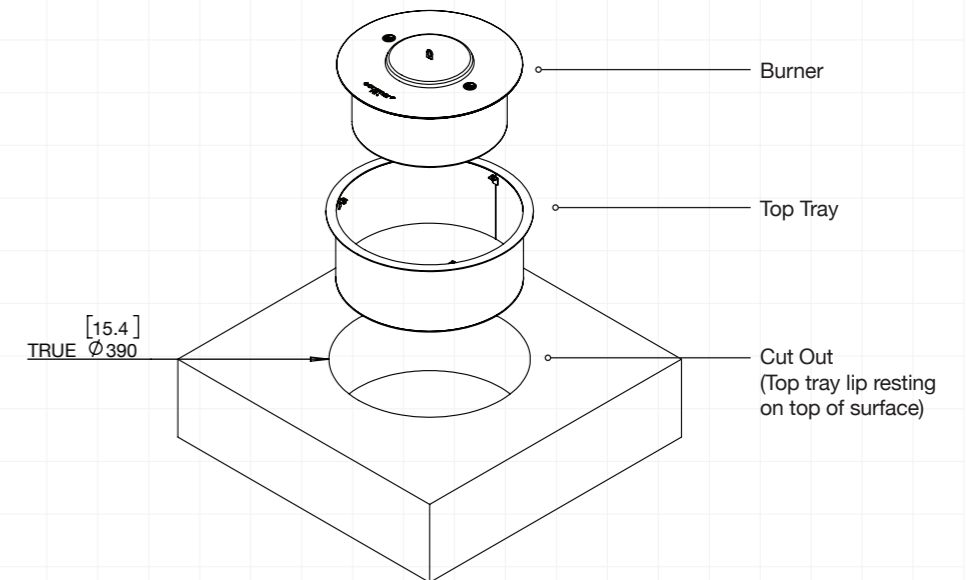


AB8 CUT OUT DIMENSIONS

Physical model dimensions should be verified against cut out dimensions BEFORE installation begins to confirm tolerances align.



Burner WITHOUT Top Tray



Burner WITH Top Tray

AB3



Application	Indoor & Outdoor				
Materials	Grade 304 Stainless Steel				
Weight	3.7kg [8.1lbs]				
Colour & SKU	<table border="0"> <tr> <td> Stainless Steel</td> <td>ESF.B.AB3.WTT</td> </tr> <tr> <td> Black</td> <td>ESF.B.AB3.WTT.BL</td> </tr> </table>	 Stainless Steel	ESF.B.AB3.WTT	 Black	ESF.B.AB3.WTT.BL
 Stainless Steel	ESF.B.AB3.WTT				
 Black	ESF.B.AB3.WTT.BL				
Fuel Type	e-NRG Bioethanol				

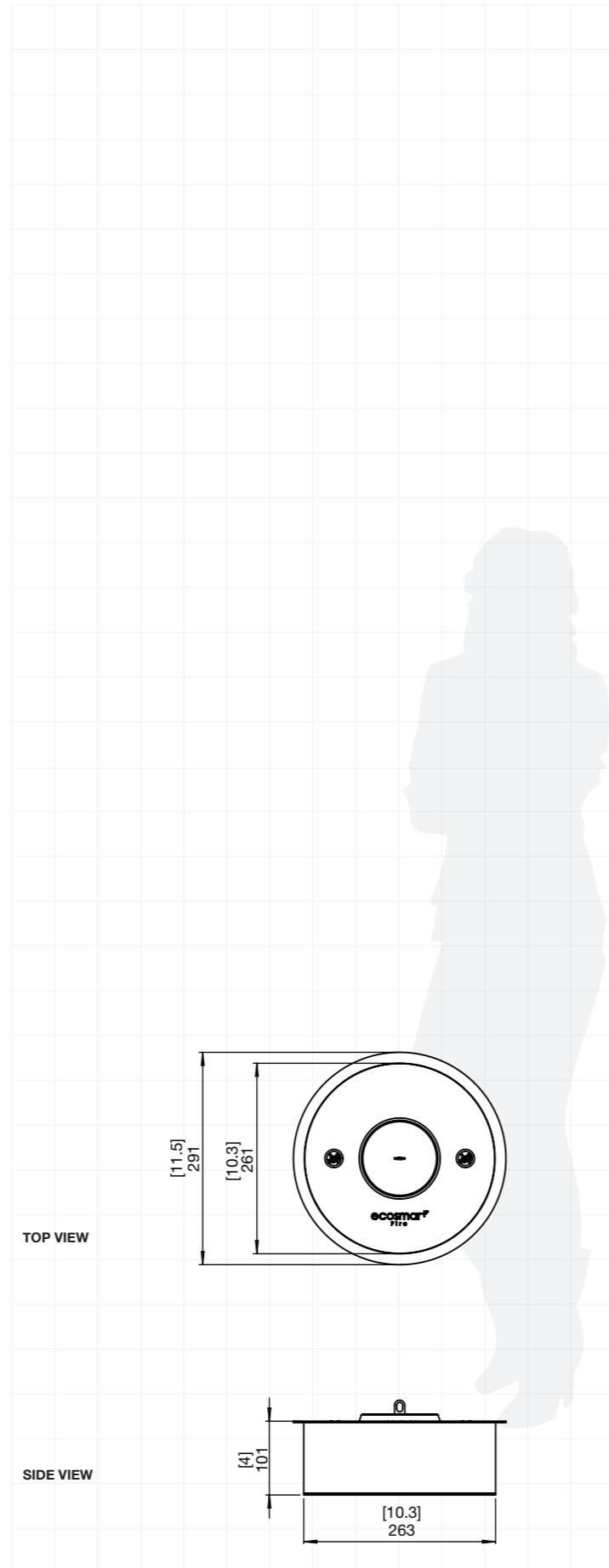
BURNER VENTILATION & EFFICIENCY*

Fuel Capacity	2.5 Litres [0.7 Gallons]
Heats on Average <small>(when used indoors)</small>	Over 20 square metres [215 square feet]
Fuel Consumption	0.31 L/h [0.1 Gal/h]
Thermal Output Net (MAX)	6.14 MJ/h - 5,800 BTU/h - 1.7 kW
Burn Time	8 - 11 hours (approx)
Minimum Room Size	40 cubic metres [1413 cubic feet] per fireplace.
Optional Accessories	Twin Feet Fixings, Fire Screens, Decorative Media

Read the manual carefully before operating the burner. Physical model dimensions should be verified against cut out dimensions BEFORE installation begins to confirm tolerances align.

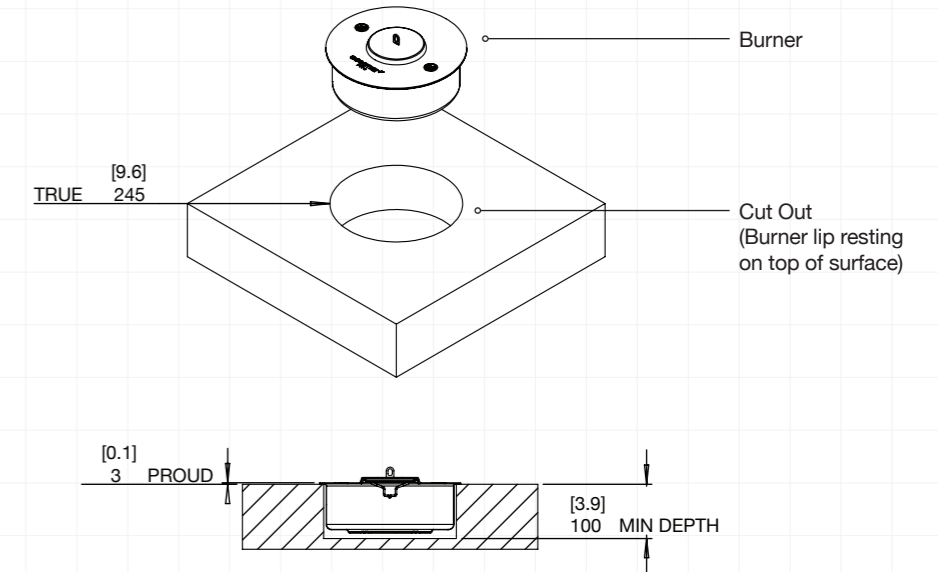
* These values are indicative only and may vary depending on the model purchased, installation, and the seasonal resource used to manufacture e-NRG.

Global Compliance
All burners are UL Listed in accordance with MH46715/Subject1370 in the USA, Certified by BSI in accordance with EN16647 (excluding VB2), and comply with the ACCC Safety Mandate for Australia.

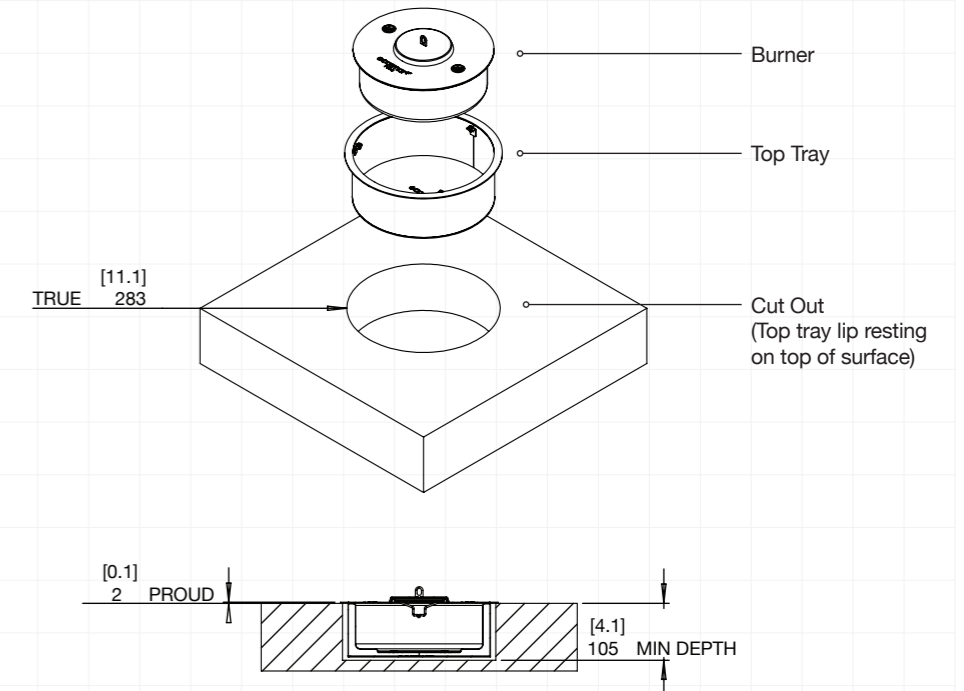


AB3 CUT OUT DIMENSIONS

Physical model dimensions should be verified against cut out dimensions BEFORE installation begins to confirm tolerances align.



Burner WITHOUT Top Tray



Burner WITH Top Tray

BUILT-IN

VB BURNER SERIES



Whether an Edwardian, Federation, Art Deco or Art Nouveau fireplace, the VB2 has been designed to be easily integrated into existing fireplaces. The minimalist design mean you can easily convert an older style fireplace into a clean-burning bioethanol fire.

Dedicated Filling Point

A designated, inbuilt filling point to ensure the same procedures can be followed to decrease the likelihood of overfilling.

Accessory Exclusion Zone

Elevated lip around the burner mouth that stops accessories from sitting over the flame or blocking the shut off procedure. This raised lip includes air holes that allows air to flow smoothly around the fuel to achieve a better flame within the setting.

Fuel Efficiency

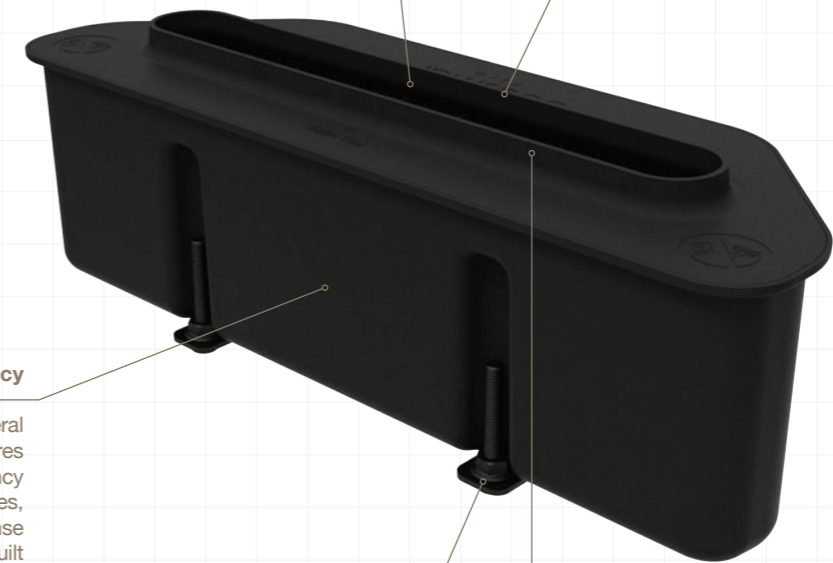
The burner has several layers of internal features that increases its efficiency including vertical baffles, aspiration vents and dense padding - all of which is built to last a lifetime.

Height Adjustable

Adjustable feet level and lift the burner to the best setting depending on the depth of the grill it's being placed within.

Dual Purpose Lid

A simple lid is used to extinguish the flame and cover the burner opening when it is not in use. This prevents dust from falling into the tank, leaving it clean and safe for use year round.



OPTIONAL ACCESSORIES



Plasma Fire Screen



Black Glass Charcoal

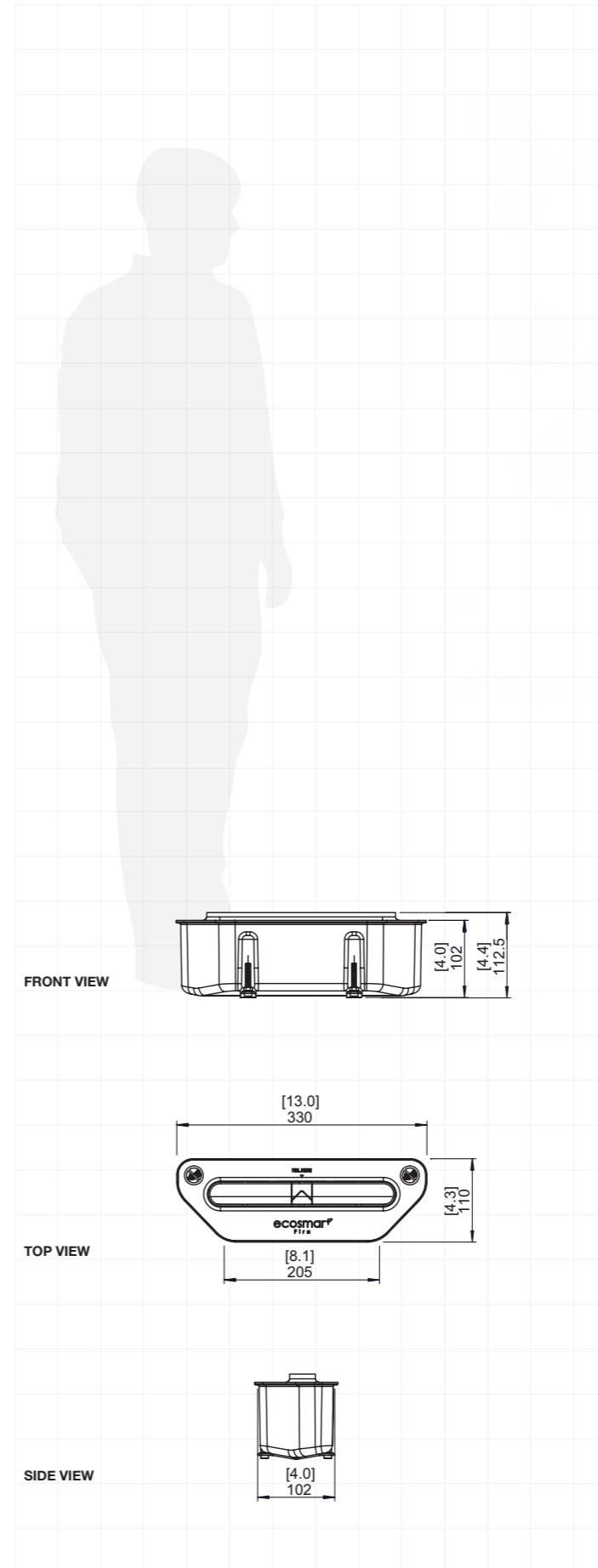
BUILT-IN

VB BURNER SERIES SPECIFICATIONS

BURNER*	VB2
Fuel Capacity	2 Litres [0.5 Gallons]
Heats on Average (when used indoors)	Over 15 square metres [161 square feet]
Fuel Consumption	0.5 L/h [0.13 Gal/h]
Thermal Output Net (MAX)	7.24 MJ/h 6,180 BTU/h 2.5 kW
Approx. Burn Time	6 hours
Minimum Room Size (per burner)	45 cubic metres [1589 cubic feet]
Included Accessories Operational accessories designed for safe and ergonomic fire ignition and extinguishing	   <p>Jerry Can Lighting Rod + Lighter Operations Manual</p>

* These values are indicative only and may vary depending on the model purchased, installation, and the seasonal resource used to manufacture e-NRG.

VB2



Application	Indoor
Materials	Grade 304 Stainless Steel
Weight	1.8kg [4lbs]
Colour & SKU	Black Powder-Coat ESF.1.B.VB2
Fuel Type	e-NRG Bioethanol

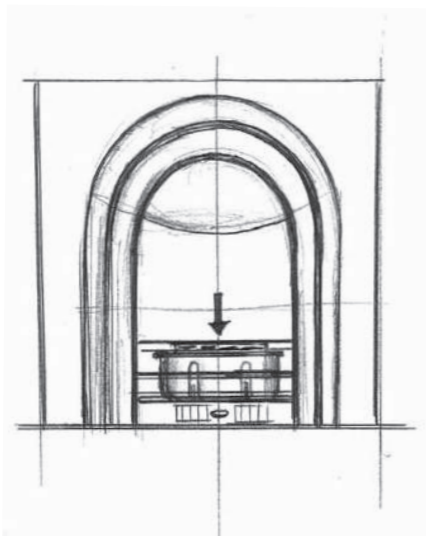
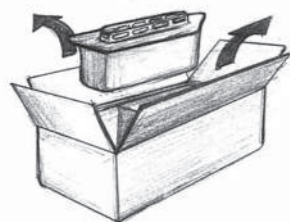
BURNER VENTILATION & EFFICIENCY*	
Fuel Capacity	2 Litres [0.5 Gallons]
Heats on Average	Over 15 square metres [161 square feet]
Fuel Consumption	0.5 L/h [0.13 Gal/h]
Thermal Output Net (MAX)	7.24 MJ/h - 6,180 BTU/h - 2.5 kW
Burn Time	6 hours (approx)
Minimum Room Size	45 cubic metres [1589 cubic feet] per fireplace.
Optional Accessories	Plasma Fire Screen, Decorative Media

Read the manual carefully before operating the burner.

* These values are indicative only and may vary depending on the model purchased, installation, and the seasonal resource used to manufacture e-NRG.

A size template is available to test the burner fits the setting.

Unpack, put in position and enjoy.



BUILT-IN

FIREPLACE INSERTS



BUILT-IN

PREMIUM SINGLE SIDED FIREPLACES



Private Residence, Australia
Model: 650SS

Our diverse collection of bioethanol fireplace inserts are ideal for creating stunning wall or cabinetry features or an easy way of converting an existing traditional fireplace to a clean burning bioethanol fireplace. Installation is a breeze with all the clearances built into the design for you.

EcoSmart Fire's extensive range of fireplaces allow you to create a fire design specific to your requirements.

Quality that will Last a Lifetime

Intelligently designed for optimum heat output, flame enhancement and safety, our high quality stainless steel fireplace inserts will last a lifetime.

The fireplace and burner are made from grade 304 rust resistant stainless steel.

No Flue or Chimney Needed

Our fireplaces don't need a chimney to vent harmful gases as burning liquid bioethanol doesn't produce any smoke.

No Gas or Electricity

All the fuel is housed within the self-contained burner so you don't have to run pipes or cables through your walls.

Colour

Available in stainless steel with stainless steel burners.



Quick & Easy Installation

EcoSmart fireplace inserts are completely self-contained, which makes them much simpler to install than gas or wood burning fireplaces. No flashing, roof work or plumbing is required for installation.

The pre-drilled holes make fixing the fireplace into position quick and easy - then dress around the fireplace with your chosen finishing touch.

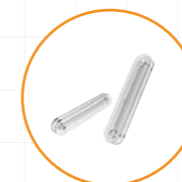
Wind Screen

Removable fireplace screen made from low-iron toughened glass.

OPTIONAL ACCESSORIES











Fire Screens



Echo Fixings

BUILT-IN

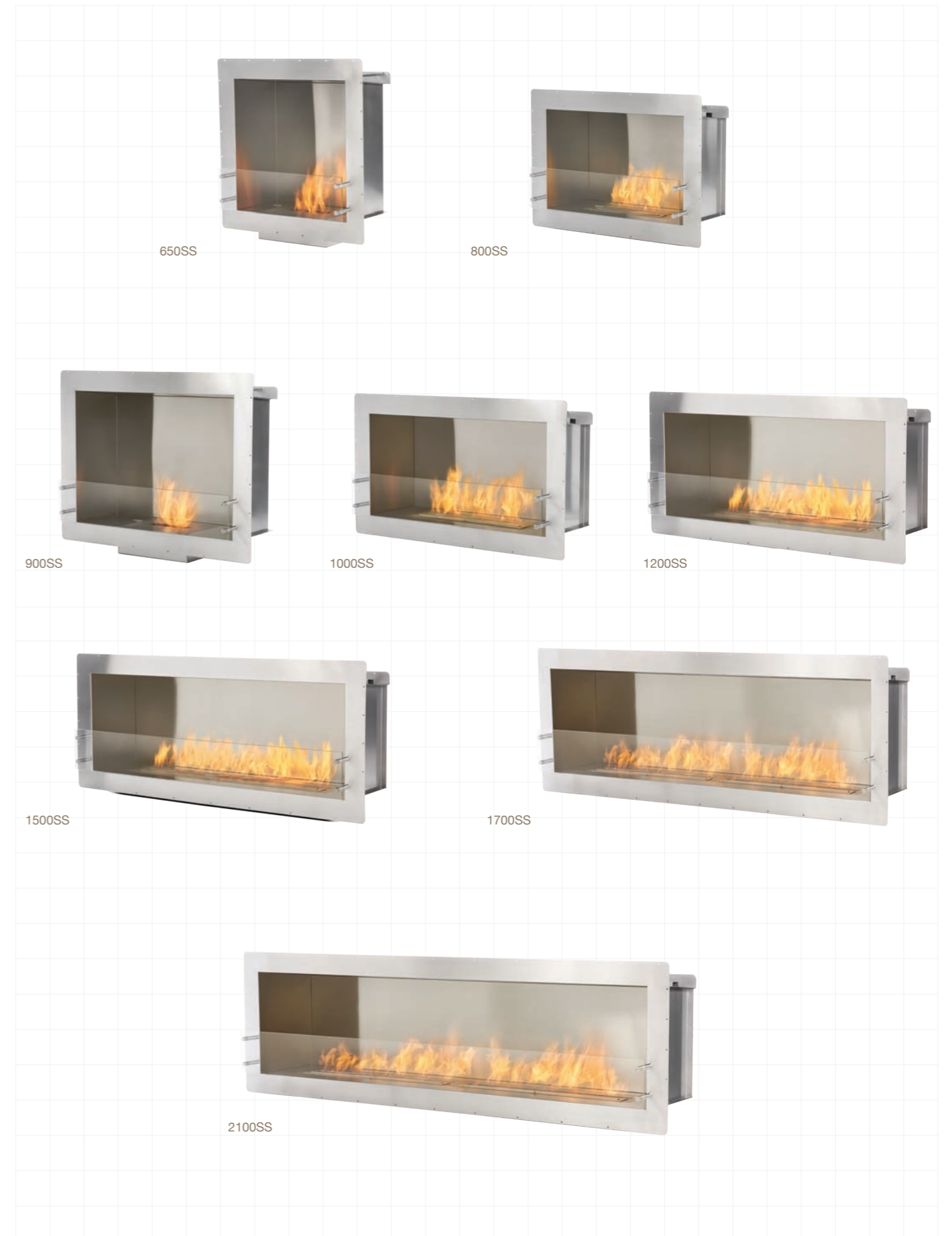
PREMIUM SINGLE SIDED FIREPLACE SPECIFICATIONS

COMPATIBLE BURNERS*	XL1200	XL900	XL700	XL500	BK5
Fuel Capacity	10 Litres [2.6 Gallons]	9 Litres [2.4 Gallons]	7 Litres [1.8 Gallons]	5 Litres [1.3 Gallons]	5 Litres [1.3 Gallons]
Heats on Average	Over 65m ² [700ft ²]	Over 60m ² [645ft ²]	Over 50m ² [538ft ²]	Over 40m ² [430.6ft ²]	Over 35m ² [376.7ft ²]
Approx. Burn Time	9 - 14 hours	8 - 13 hours	9 - 12 hours	10 - 13 hours	7 - 11 hours
Minimum Room Size (per fireplace)	115m ³ [4061ft ³]	110m ³ [3884ft ³]	90m ³ [3178ft ³]	80m ³ [2825ft ³]	70m ³ [2472ft ³]
Included Accessories Operational accessories designed for safe and ergonomic fire ignition and extinguishing.	 Baffles x 5	 Baffles x 4	 Baffles x 3	 Baffles x 2	 Top Tray
	 Jerry Can  Lighting Rod + Lighter  Operations Manual				

PREMIUM SINGLE SIDED FIREPLACES

650SS					• ^
800SS				• ^	
900SS					• ^
1000SS			• ^		
1200SS		• ^			
1700SS			• X2 ^		
1500SS	• ^				
2100SS		• X2 ^			

* These values are indicative only and may vary depending on the model purchased, installation, and the seasonal resource used to manufacture e-NRG.
 ^ This model conforms to EN16647.



650SS



Application	Indoor & Outdoor
Materials	Grade 304 Stainless Steel, Toughened Glass
Weight	28.1kg [61.7lbs] Weight includes burner.
Colour & SKU	Stainless Steel ESF.2.F.650SS
Optional Accessories	Fire Screens, Echo Fixings

BURNER INFORMATION**

Burner	BK5
Fuel Type	e-NRG Bioethanol
Fuel Capacity	5 Litres [1.3 Gallons]
Heats on Average (when used indoors)	Over 35 square metres [376.7 square feet]
Burn Time	7 - 11 hours (approx)
Minimum Room Size	70 cubic metres [2472 cubic feet] per fireplace.

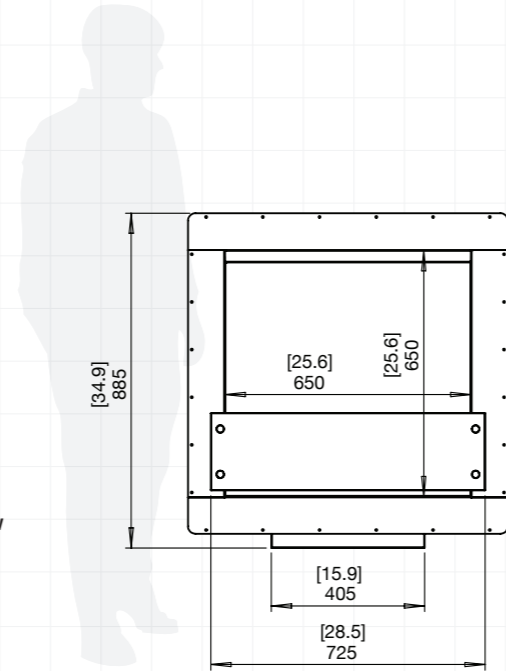
Physical model dimensions should be verified against cut out dimensions BEFORE installation begins to confirm tolerances align.

*These values are indicative only and may vary depending on the model purchased, installation, and the seasonal resource used to manufacture e-NRG.

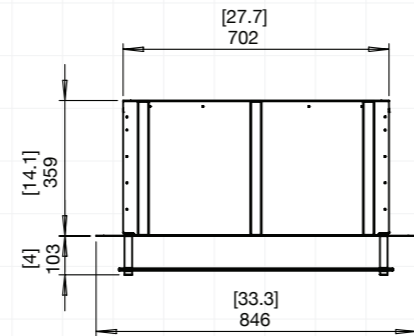
Global Compliance

All burners are UL Listed in accordance with MH46715/Subject1370 in the USA, Certified by BSI in accordance with EN16647 (excluding VB2), and comply with the ACCC Safety Mandate for Australia.

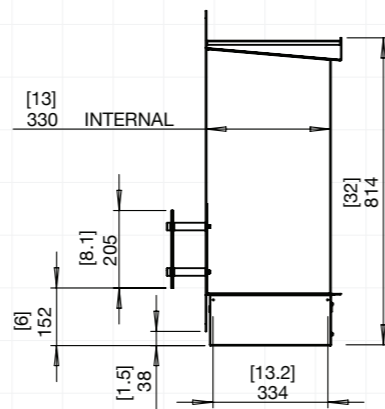
FRONT VIEW



TOP VIEW



SIDE VIEW



800SS



Application	Indoor & Outdoor
Materials	Grade 304 Stainless Steel, Toughened Glass
Weight	29.2kg [64.3lbs] Weight includes burner.
Colour & SKU	Stainless Steel ESF.2.F.800SS
Optional Accessories	Fire Screens, Echo Fixings

BURNER INFORMATION*

Burner	XL500
Fuel Type	e-NRG Bioethanol
Fuel Capacity	5 Litres [1.3 Gallons]
Heats on Average (when used indoors)	Over 40 square metres [430.6 square feet]
Burn Time	10 - 13 hours (approx)
Minimum Room Size	80 cubic metres [2825 cubic feet] per fireplace.

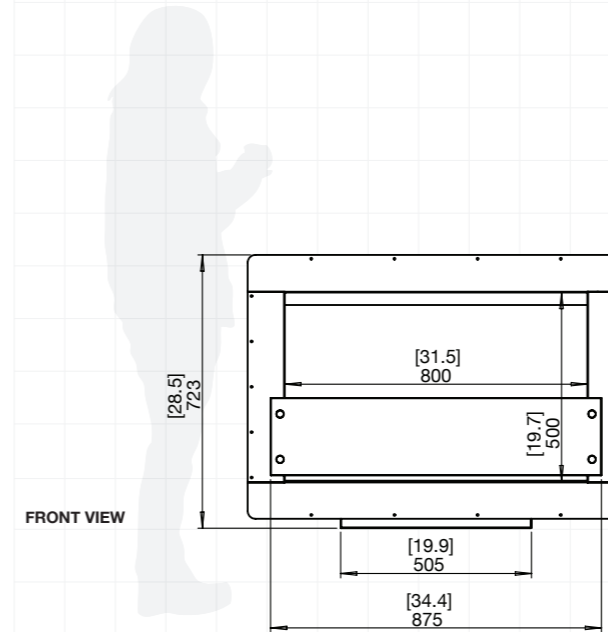
Physical model dimensions should be verified against cut out dimensions BEFORE installation begins to confirm tolerances align.

*These values are indicative only and may vary depending on the model purchased, installation, and the seasonal resource used to manufacture e-NRG.

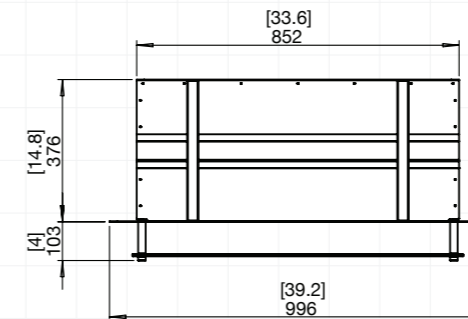
Global Compliance

All burners are UL Listed in accordance with MH46715/Subject1370 in the USA, Certified by BSI in accordance with EN16647 (excluding VB2), and comply with the ACCC Safety Mandate for Australia.

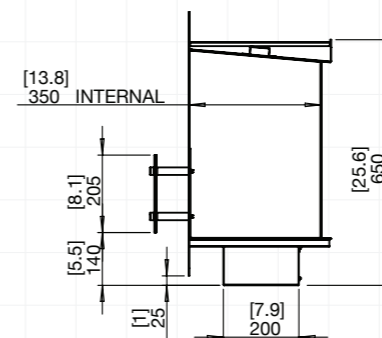
FRONT VIEW



TOP VIEW



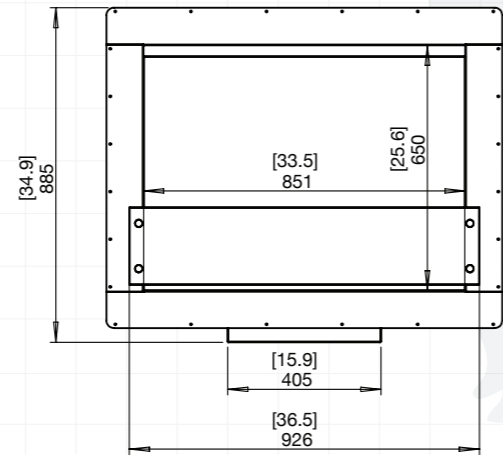
SIDE VIEW



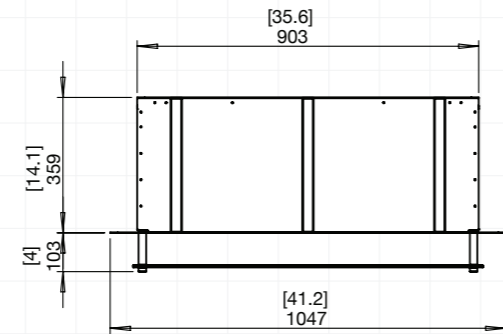
900SS



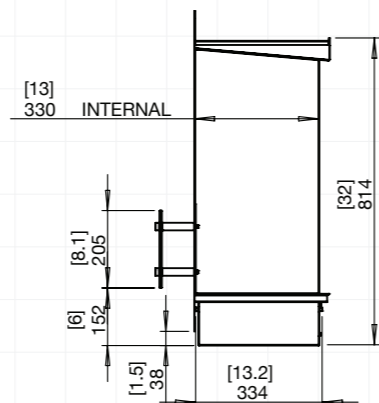
FRONT VIEW



TOP VIEW



SIDE VIEW



Application	Indoor & Outdoor
Materials	Grade 304 Stainless Steel, Toughened Glass
Weight	28.1kg [61.7lbs] Weight includes burner.
Colour & SKU	Stainless Steel ESF.2.F.900SS
Optional Accessories	Fire Screens, Echo Fixings

BURNER INFORMATION**

Burner	BK5
Fuel Type	e-NRG Bioethanol
Fuel Capacity	5 Litres [1.3 Gallons]
Heats on Average (when used indoors)	Over 35 square metres [376.7 square feet]
Burn Time	7 - 11 hours (approx)
Minimum Room Size	70 cubic metres [2472 cubic feet] per fireplace.

Physical model dimensions should be verified against cut out dimensions BEFORE installation begins to confirm tolerances align.

*These values are indicative only and may vary depending on the model purchased, installation, and the seasonal resource used to manufacture e-NRG.

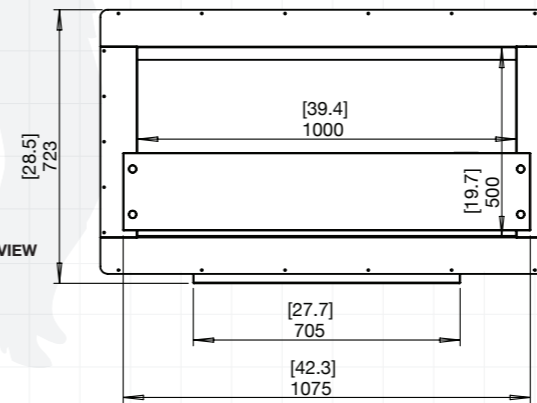
Global Compliance

All burners are UL Listed in accordance with MH46715/Subject1370 in the USA, Certified by BSI in accordance with EN16647 (excluding VB2), and comply with the ACCC Safety Mandate for Australia.

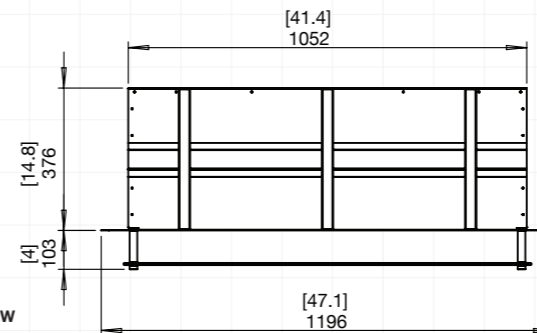
1000SS



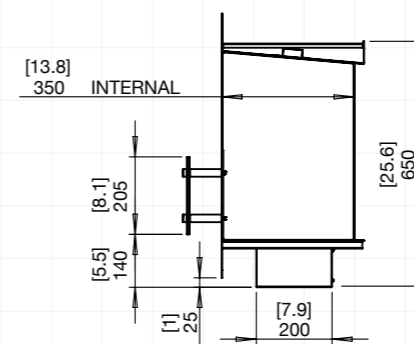
FRONT VIEW



TOP VIEW



SIDE VIEW



Application	Indoor & Outdoor
Materials	Grade 304 Stainless Steel, Toughened Glass
Weight	37.2kg [81.8lbs] Weight includes burner.
Colour & SKU	Stainless Steel ESF.2.F.1000SS
Optional Accessories	Fire Screens, Echo Fixings

BURNER INFORMATION*

Burner	XL700
Fuel Type	e-NRG Bioethanol
Fuel Capacity	7 Litres [1.8 Gallons]
Heats on Average (when used indoors)	Over 50 square metres [538 square feet]
Burn Time	9 - 12 hours (approx)
Minimum Room Size	90 cubic metres [3178 cubic feet] per fireplace.

Physical model dimensions should be verified against cut out dimensions BEFORE installation begins to confirm tolerances align.

*These values are indicative only and may vary depending on the model purchased, installation, and the seasonal resource used to manufacture e-NRG.

Global Compliance

All burners are UL Listed in accordance with MH46715/Subject1370 in the USA, Certified by BSI in accordance with EN16647 (excluding VB2), and comply with the ACCC Safety Mandate for Australia.

1200SS



Application	Indoor & Outdoor
Materials	Grade 304 Stainless Steel, Toughened Glass
Weight	41.9kg [92.1lbs] Weight includes burner.
Colour & SKU	Stainless Steel ESF.2.F.1200SS
Optional Accessories	Fire Screens, Echo Fixings

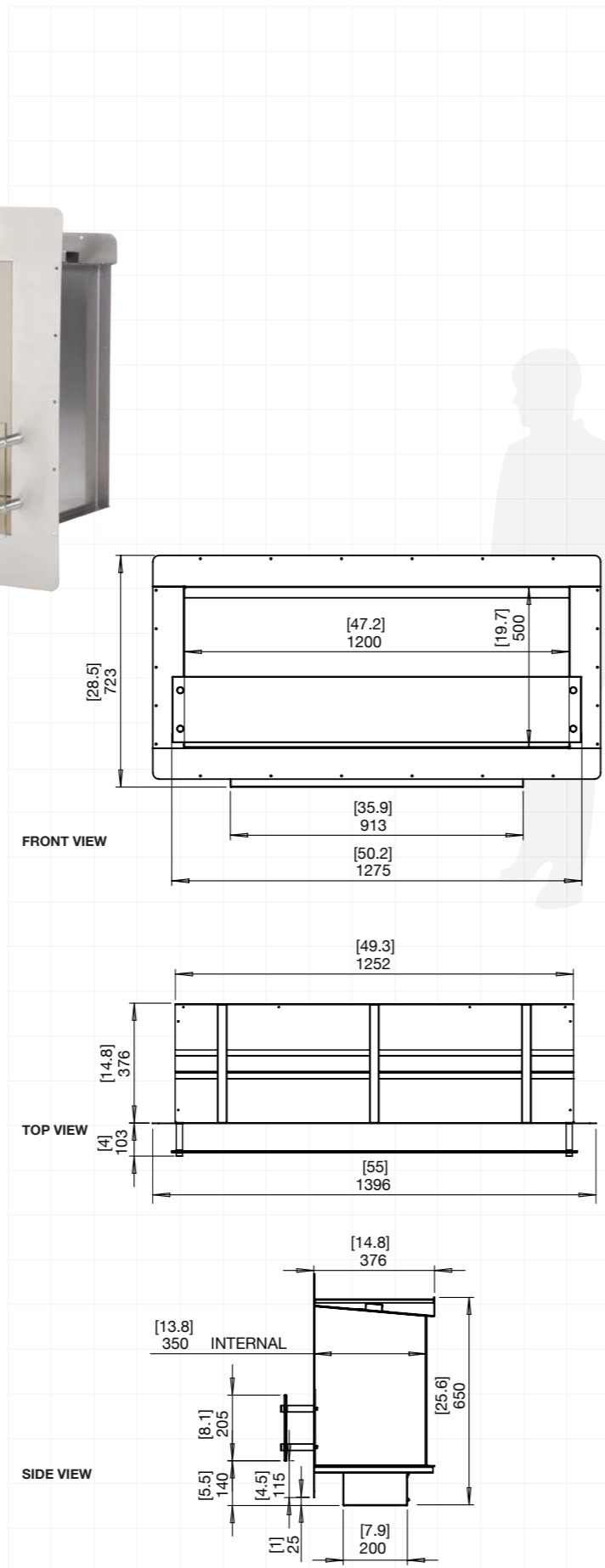
BURNER INFORMATION*

Burner	XL900
Fuel Type	e-NRG Bioethanol
Fuel Capacity	9 Litres [2.4 Gallons]
Heats on Average (when used indoors)	Over 60 square metres [645 square feet]
Burn Time	8 - 13 hours (approx)
Minimum Room Size	110 cubic metres [3884 cubic feet] per fireplace.

Physical model dimensions should be verified against cut out dimensions BEFORE installation begins to confirm tolerances align.

*These values are indicative only and may vary depending on the model purchased, installation, and the seasonal resource used to manufacture e-NRG.

Global Compliance
All burners are UL Listed in accordance with MH46715/Subject1370 in the USA, Certified by BSI in accordance with EN16647 (excluding VB2), and comply with the ACCC Safety Mandate for Australia.



1500SS



Application	Indoor & Outdoor
Materials	Grade 304 Stainless Steel, Toughened Glass
Weight	45.1kg [99.2lbs] Weight includes burner.
Colour & SKU	Stainless Steel ESF.1.F.1500SS
Optional Accessories	Fire Screens, Echo Fixings

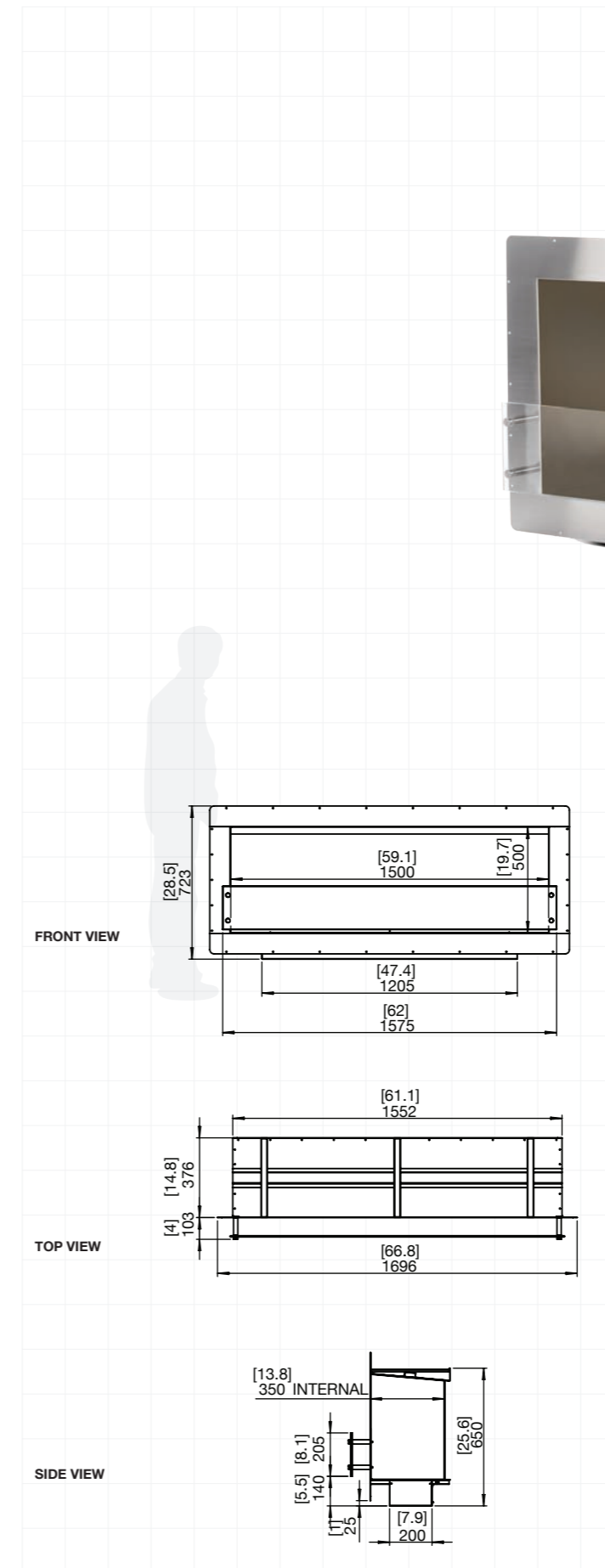
BURNER INFORMATION*

Burner	XL1200
Fuel Type	e-NRG Bioethanol
Fuel Capacity	10 Litres [2.6 Gallons]
Heats on Average (when used indoors)	Over 65 square metres [700 square feet]
Burn Time	9 - 14 hours (approx)
Minimum Room Size	115 cubic metres [4061 cubic feet] per fireplace.

Physical model dimensions should be verified against cut out dimensions BEFORE installation begins to confirm tolerances align.

*These values are indicative only and may vary depending on the model purchased, installation, and the seasonal resource used to manufacture e-NRG.

Global Compliance
All burners are UL Listed in accordance with MH46715/Subject1370 in the USA, Certified by BSI in accordance with EN16647 (excluding VB2), and comply with the ACCC Safety Mandate for Australia.



1700SS



Application	Indoor & Outdoor
Materials	Grade 304 Stainless Steel, Toughened Glass
Weight	60.8kg [133.8lbs] Weight includes burners.
Colour & SKU	Stainless Steel ESF.1.F.1700SS
Optional Accessories	Fire Screens, Echo Fixings

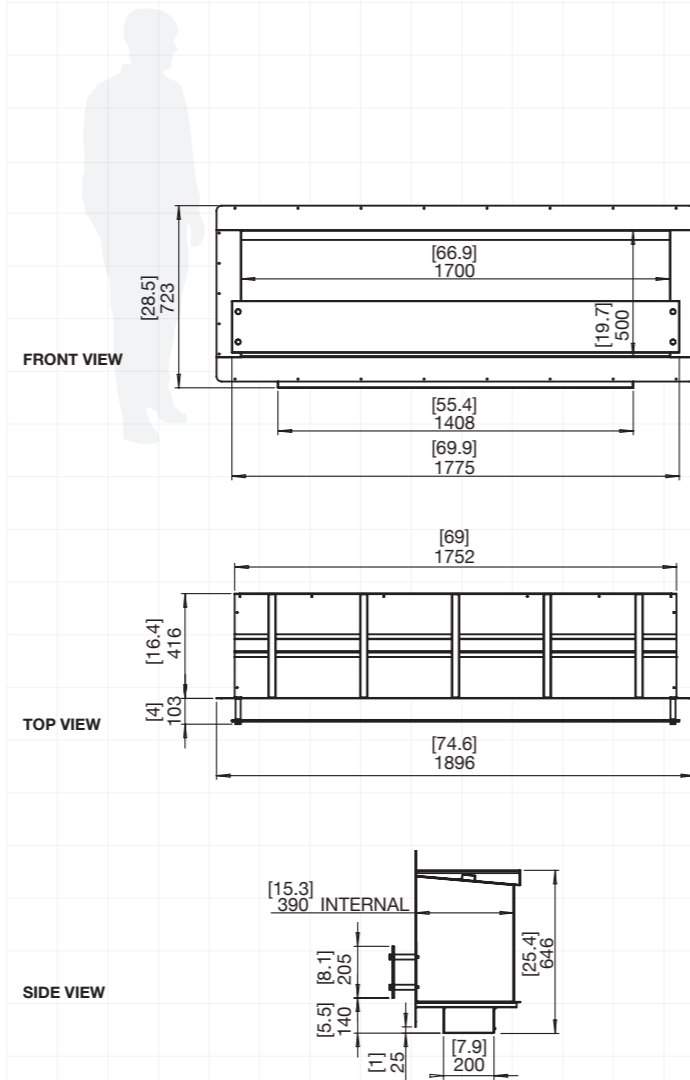
BURNER INFORMATION*

Burner	XL700 x 2
Fuel Type	e-NRG Bioethanol
Fuel Capacity	7 Litres [1.8 Gallons] x 2
Heats on Average (when used indoors)	Over 100 square metres [1,076 square feet]
Burn Time	9 - 12 hours (approx)
Minimum Room Size	180 cubic metres [6357 cubic feet] per fireplace.

Physical model dimensions should be verified against cut out dimensions BEFORE installation begins to confirm tolerances align.

*These values are indicative only and may vary depending on the model purchased, installation, and the seasonal resource used to manufacture e-NRG.

Global Compliance
All burners are UL Listed in accordance with MH46715/Subject1370 in the USA, Certified by BSI in accordance with EN16647 (excluding VB2), and comply with the ACCC Safety Mandate for Australia.



2100SS



Application	Indoor & Outdoor
Materials	Grade 304 Stainless Steel, Toughened Glass
Weight	74.4kg [163.6lbs] Weight includes burners.
Colour & SKU	Stainless Steel ESF.1.F.2100SS
Optional Accessories	Fire Screens, Echo Fixings

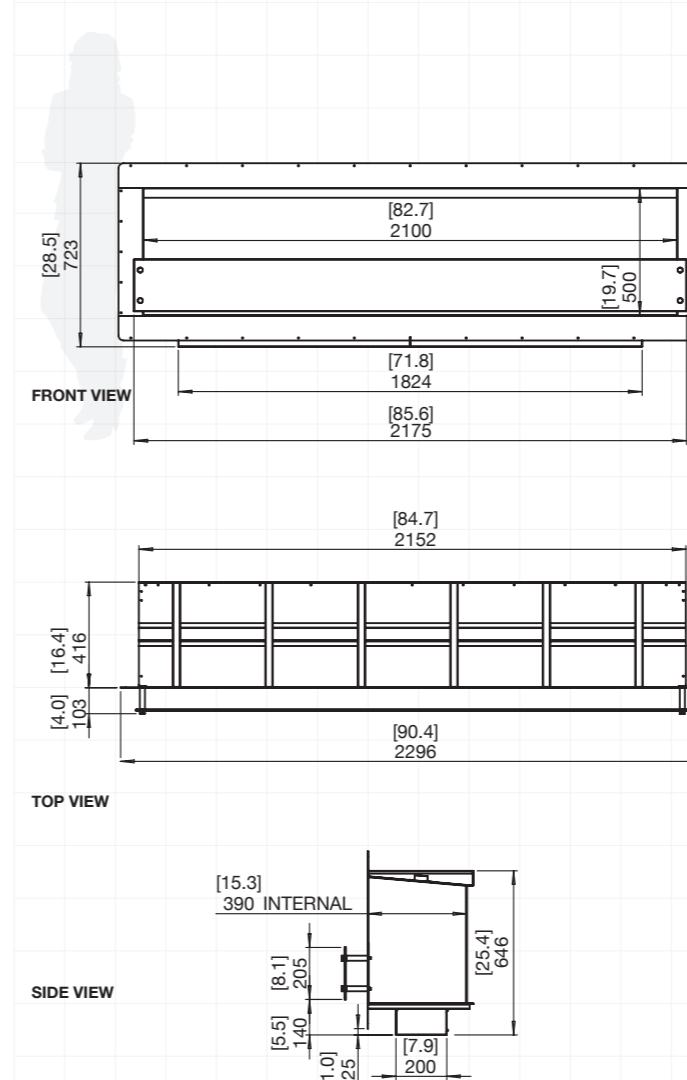
BURNER INFORMATION*

Burner	XL900 x 2
Fuel Type	e-NRG Bioethanol
Fuel Capacity	9 Litres [2.4 Gallons] x 2
Heats on Average (when used indoors)	Over 120 square metres [1,292 square feet]
Burn Time	8 - 13 hours (approx)
Minimum Room Size	220 cubic metres [7769 cubic feet] per fireplace.

Physical model dimensions should be verified against cut out dimensions BEFORE installation begins to confirm tolerances align.

*These values are indicative only and may vary depending on the model purchased, installation, and the seasonal resource used to manufacture e-NRG.

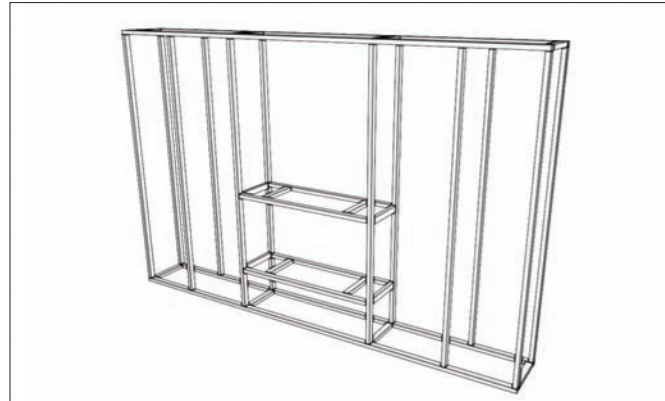
Global Compliance
All burners are UL Listed in accordance with MH46715/Subject1370 in the USA, Certified by BSI in accordance with EN16647 (excluding VB2), and comply with the ACCC Safety Mandate for Australia.



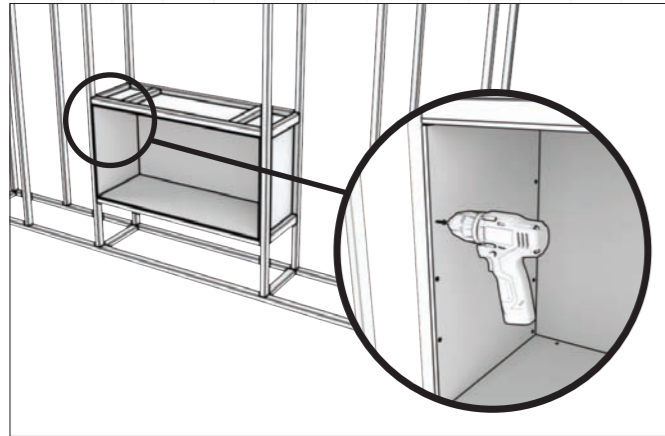
PREMIUM SINGLE SIDED FIREPLACE INDICATIVE INSTALL

GUIDE ONLY - MUST READ THE INSTRUCTIONS INCLUDED WITH THE MODEL

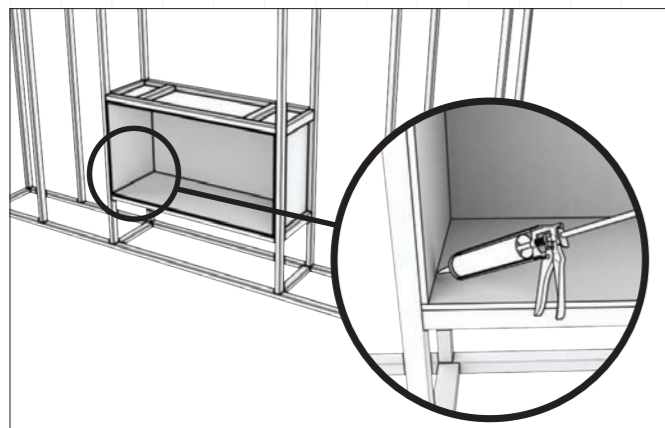
1. Construct main wall framework.



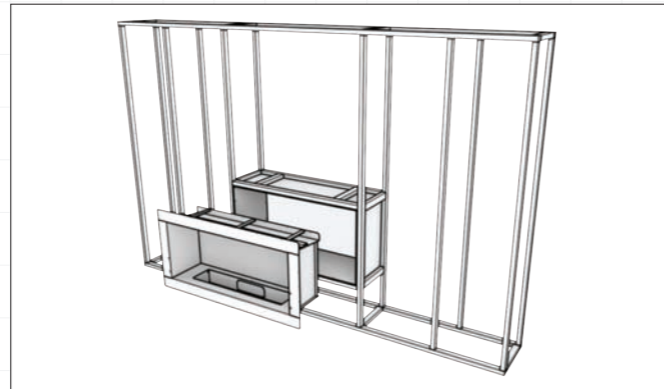
2. Create an insulated cavity using MAX 8mm [0.3in] fire retardant cement boards fixed to the framework.



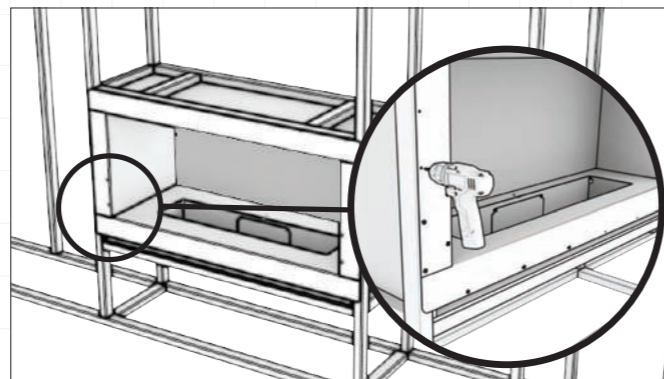
3. Silicone all internal edges to make the cavity watertight.



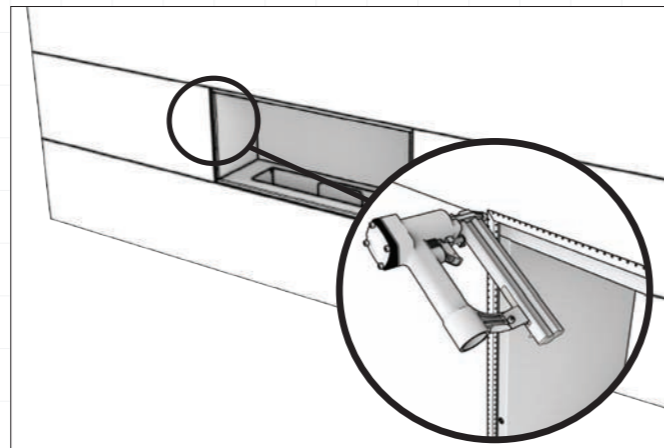
4. Slide the appliance inside the cavity (the bottom tray can sit directly on top of the cement board).



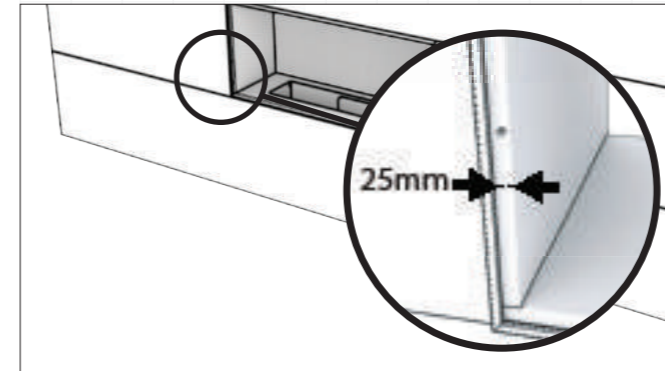
5. Fix the appliance to the structural frame using the existing mount holes on the appliance flange.



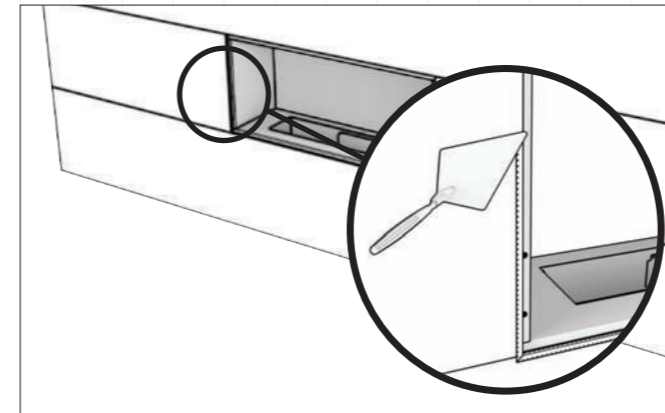
6. Apply surrounding gyprock/dry wall panels. Fix steel end beads on all 4 edges (mitre the corners).



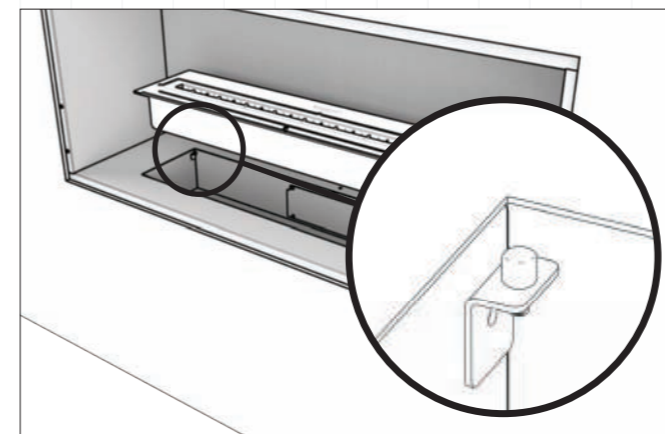
Caution: Leave a 25mm [1in] trim around the appliance to permit installation of the accompanying wind screens.



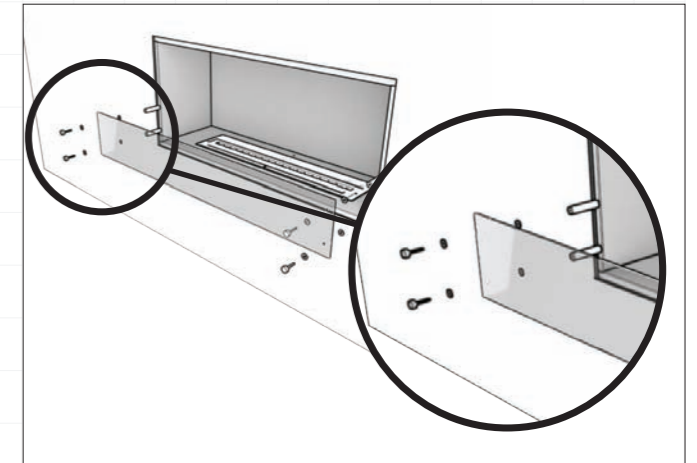
7. Plaster all seams and beads then paint to create the finished wall appearance.



8. Place the burner into position (use leveling screws in the corner of the tray to achieve a level setting).



9. Install the Static Wind Screen using the spigots and washers provided.



OPERATE ACCORDING TO THE BURNER OPERATIONS MANUAL INCLUDED WITH THE BURNER.



Brief: Bring the indoors out. Make a space to enjoy all year round.

Solution: 1200SS



Private Residence, Australia
Model: 1200SS

A 1200SS Fireplace has transformed the outdoor entertaining areas of one Western Australian home, providing warmth, flexibility, and an amazing aesthetic.



Read more about this case study at
ecosmartfire.com

BUILT-IN

PREMIUM DOUBLE SIDED FIREPLACES



Private Residence, Australia
Model: 1200DB

Our double sided fireplace inserts were developed with versatility in mind. Integrate them into custom cabinetry, install them in an interior wall for a window-like effect, or even design them into an exterior wall for indoor and outdoor enjoyment.

There are many ways to customise your vision to achieve a double sided fireplace design.

Quality that will Last a Lifetime

Intelligently designed for optimum heat output, flame enhancement and safety, our high quality stainless steel fireplace inserts will last a lifetime.

The fireplace and burner are made from grade 304 rust resistant stainless steel.

No Flue or Chimney Needed

Our fireplaces don't need a chimney to vent harmful gases as burning liquid bioethanol doesn't produce any smoke.

No Gas or Electricity

All the fuel is housed within the self-contained burner so you don't have to run pipes or cables through your walls.

Colour

Available in stainless steel with stainless steel burners.

See-through

See-through open fires provide a distinctive design element and enhance the feeling of space.

Quick & Easy Installation

EcoSmart fireplace inserts are completely self-contained, which makes them much simpler to install than gas or wood burning fireplaces. No flashing, roof work or plumbing is required for installation.

The pre-drilled holes make fixing the fireplace into position quick and easy - then dress around the fireplace with your chosen finishing touch.

Wind Screen

Removable fireplace screen made from low-iron toughened glass.

OPTIONAL ACCESSORIES








Fire Screens



Echo Fixings

BUILT-IN

PREMIUM DOUBLE SIDED FIREPLACE SPECIFICATIONS

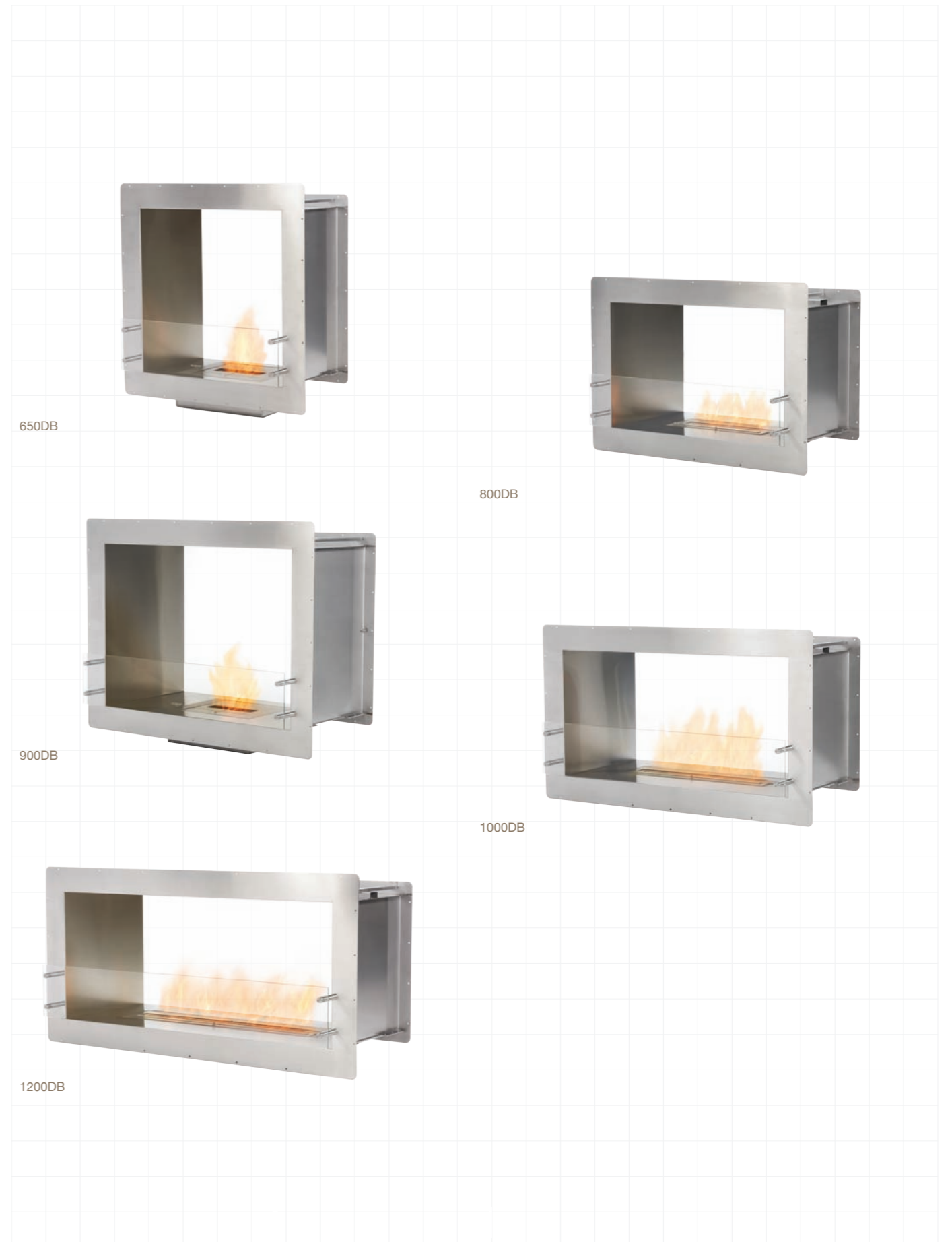
COMPATIBLE BURNERS*	XL900	XL700	XL500	BK5
Fuel Capacity	9 Litres [2.4 Gallons]	7 Litres [1.8 Gallons]	5 Litres [1.3 Gallons]	5 Litres [1.3 Gallons]
Heats on Average	Over 60m ² [645ft ²]	Over 50m ² [538ft ²]	Over 40m ² [430.6ft ²]	Over 35m ² [376.7ft ²]
Approx. Burn Time	8 - 13 hours	9 - 12 hours	10 - 13 hours	7 - 11 hours
Minimum Room Size (per fireplace)	110m ³ [3884ft ³]	90m ³ [3178ft ³]	80m ³ [2825ft ³]	70m ³ [2472ft ³]
Included Accessories Operational accessories designed for safe and ergonomic fire ignition and extinguishing.	 Baffles x 4	 Baffles x 3	 Baffles x 2	 Top Tray
	 Jerry Can Lighting Rod + Lighter Operations Manual			

PREMIUM SINGLE SIDED FIREPLACES

650DB				• ^
800DB			• ^	
900DB				• ^
1000DB		• ^		
1200DB	• ^			

* These values are indicative only and may vary depending on the model purchased, installation, and the seasonal resource used to manufacture e-NRG.

^ This model conforms to EN16647.



650DB



Application	Indoor & Outdoor
Materials	Grade 304 Stainless Steel, Toughened Glass
Weight	36.1kg [79.3lbs] Weight includes burner.
Colour & SKU	Stainless Steel ESF.2.F.650DB
Optional Accessories	Fire Screens, Echo Fixings

BURNER INFORMATION**

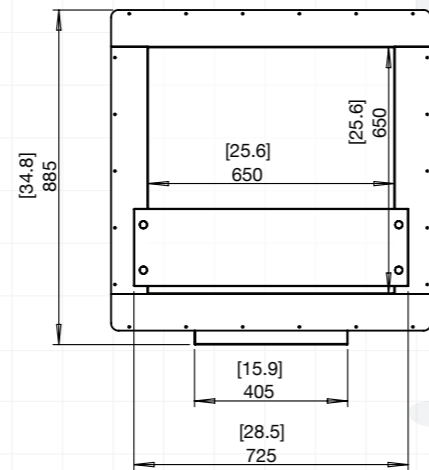
Burner	BK5
Fuel Type	e-NRG Bioethanol
Fuel Capacity	5 Litres [1.3 Gallons]
Heats on Average (when used indoors)	Over 35 square metres [376.7 square feet]
Burn Time	7 - 11 hours (approx)
Minimum Room Size	70 cubic metres [2472 cubic feet] per fireplace.

Physical model dimensions should be verified against cut out dimensions BEFORE installation begins to confirm tolerances align.

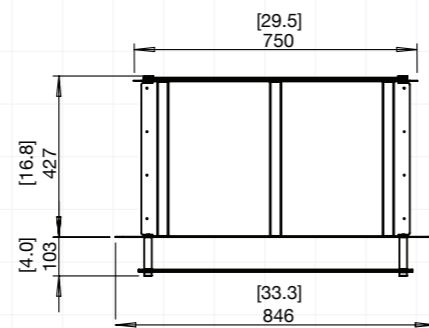
*These values are indicative only and may vary depending on the model purchased, installation, and the seasonal resource used to manufacture e-NRG.

Global Compliance
All burners are UL Listed in accordance with MH46715/Subject1370 in the USA, Certified by BSI in accordance with EN16647 (excluding VB2), and comply with the ACCC Safety Mandate for Australia.

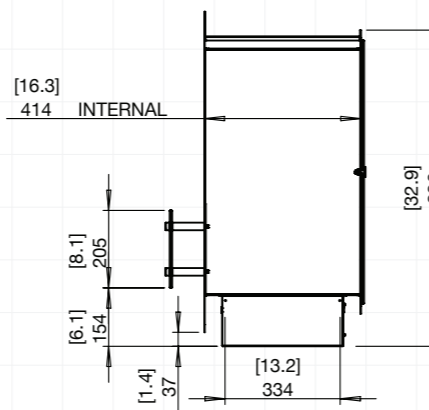
FRONT VIEW



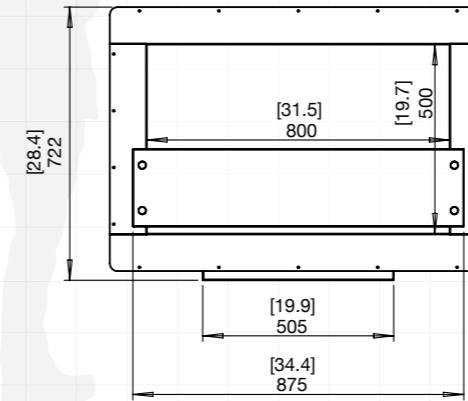
TOP VIEW



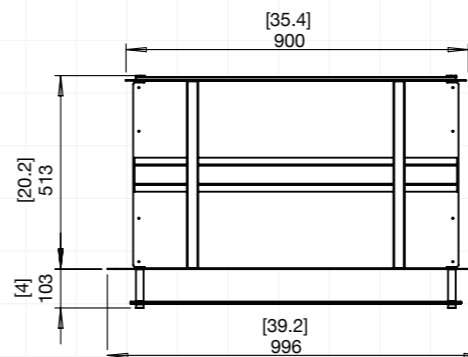
SIDE VIEW



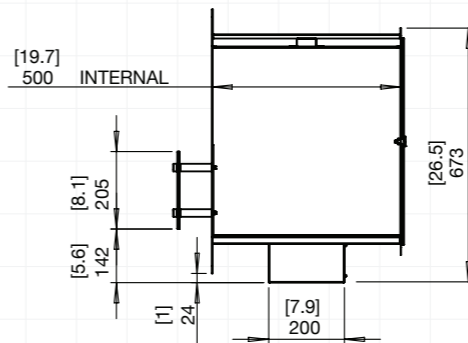
FRONT VIEW



TOP VIEW



SIDE VIEW



800DB



Application	Indoor & Outdoor
Materials	Grade 304 Stainless Steel, Toughened Glass
Weight	38.5kg [84.7lbs] Weight includes burner.
Colour & SKU	Stainless Steel ESF.2.F.800DB
Optional Accessories	Fire Screens, Echo Fixings

BURNER INFORMATION*

Burner	XL500
Fuel Type	e-NRG Bioethanol
Fuel Capacity	5 Litres [1.3 Gallons]
Heats on Average (when used indoors)	Over 40 square metres [430.6 square feet]
Burn Time	10 - 13 hours (approx)
Minimum Room Size	80 cubic metres [2825 cubic feet] per fireplace.

Physical model dimensions should be verified against cut out dimensions BEFORE installation begins to confirm tolerances align.

*These values are indicative only and may vary depending on the model purchased, installation, and the seasonal resource used to manufacture e-NRG.

Global Compliance
All burners are UL Listed in accordance with MH46715/Subject1370 in the USA, Certified by BSI in accordance with EN16647 (excluding VB2), and comply with the ACCC Safety Mandate for Australia.

900DB



Application	Indoor & Outdoor
Materials	Grade 304 Stainless Steel, Toughened Glass
Weight	46kg [101.2lbs] Weight includes burner.
Colour & SKU	Stainless Steel ESF.2.F.900DB
Optional Accessories	Fire Screens, Echo Fixings

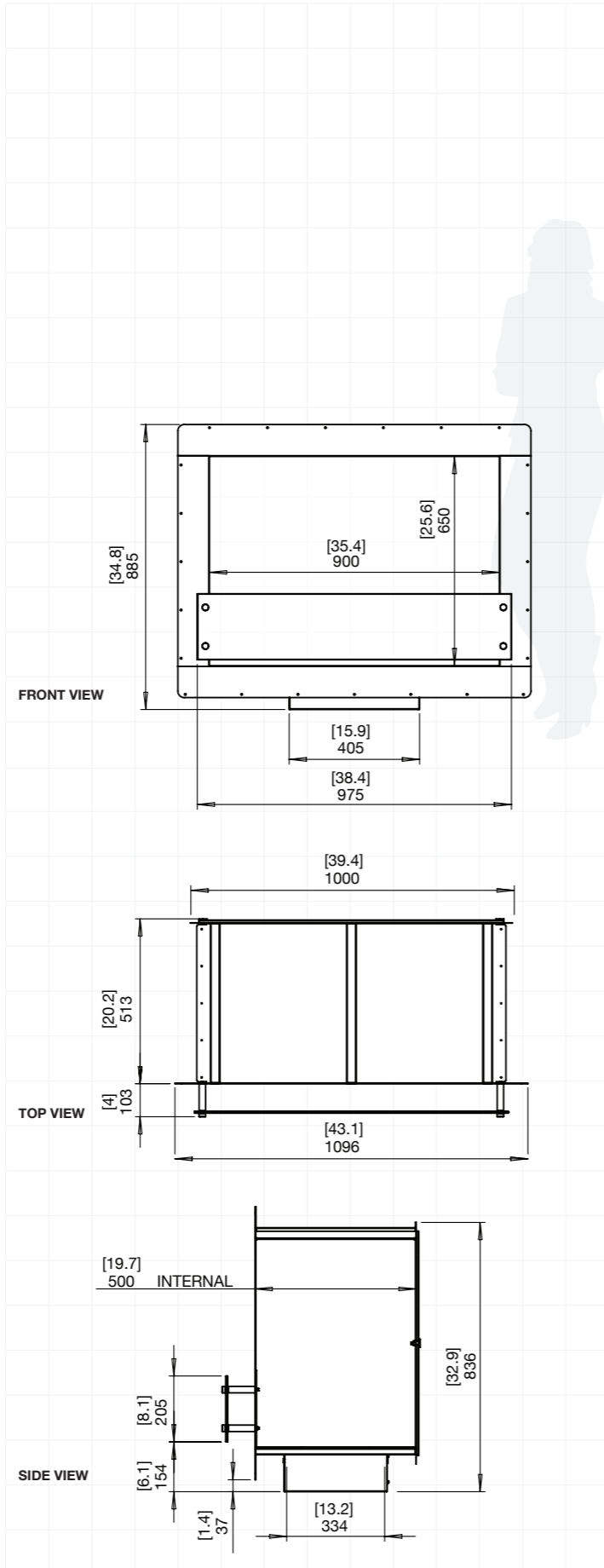
BURNER INFORMATION**

Burner	BK5
Fuel Type	e-NRG Bioethanol
Fuel Capacity	5 Litres [1.3 Gallons]
Heats on Average (when used indoors)	Over 35 square metres [376.7 square feet]
Burn Time	7 - 11 hours (approx)
Minimum Room Size	70 cubic metres [2472 cubic feet] per fireplace.

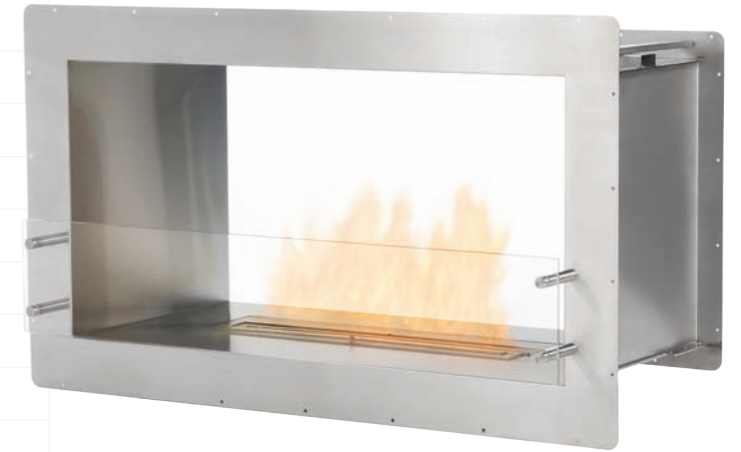
Physical model dimensions should be verified against cut out dimensions BEFORE installation begins to confirm tolerances align.

*These values are indicative only and may vary depending on the model purchased, installation, and the seasonal resource used to manufacture e-NRG.

Global Compliance
All burners are UL Listed in accordance with MH46715/Subject1370 in the USA, Certified by BSI in accordance with EN16647 (excluding VB2), and comply with the ACCC Safety Mandate for Australia.



1000DB



Application	Indoor & Outdoor
Materials	Grade 304 Stainless Steel, Toughened Glass
Weight	46.7kg [102.7lbs] Weight includes burner.
Colour & SKU	Stainless Steel ESF.2.F.1000DB
Optional Accessories	Fire Screens, Echo Fixings

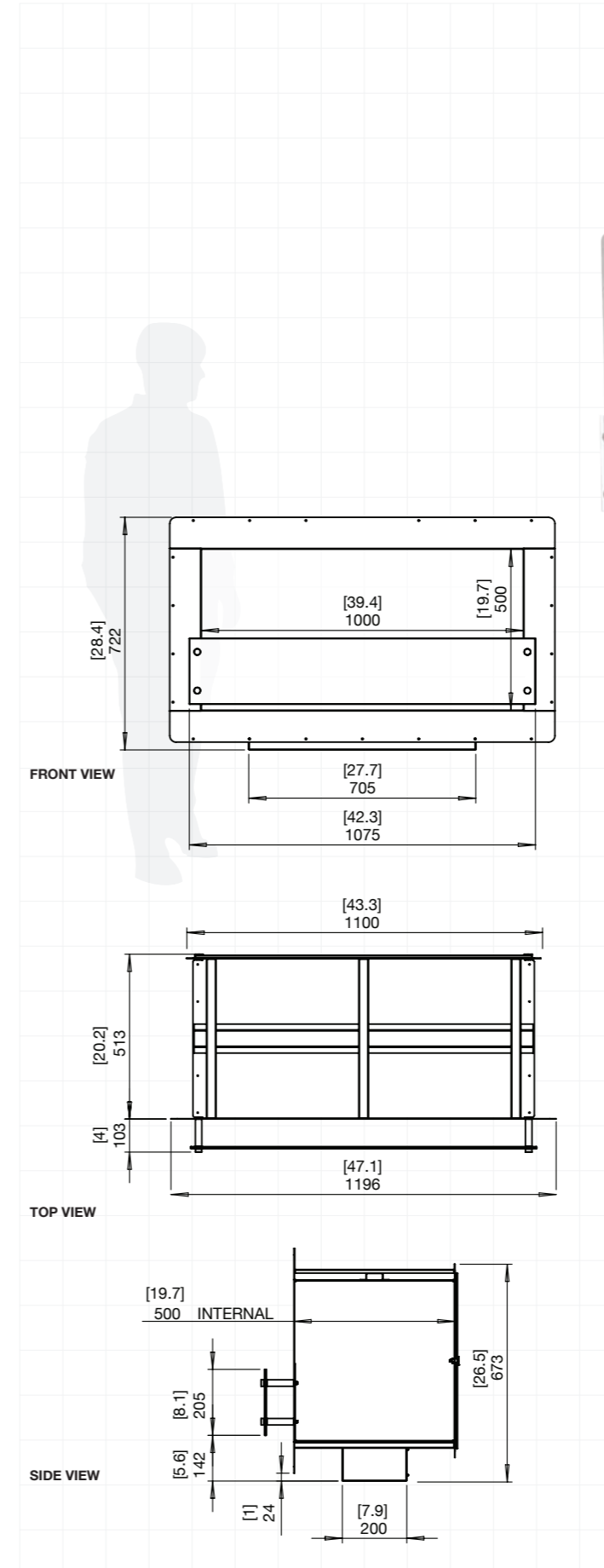
BURNER INFORMATION*

Burner	XL700
Fuel Type	e-NRG Bioethanol
Fuel Capacity	7 Litres [1.8 Gallons]
Heats on Average (when used indoors)	Over 50 square metres [538 square feet]
Burn Time	9 - 12 hours (approx)
Minimum Room Size	90 cubic metres [3178 cubic feet] per fireplace.

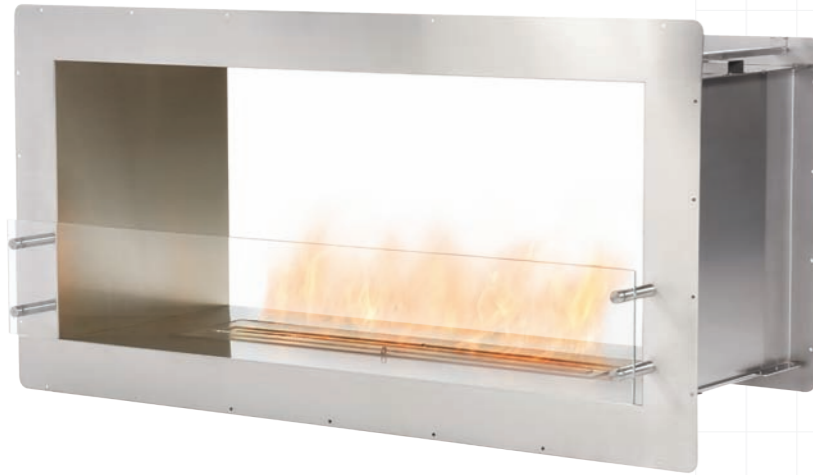
Physical model dimensions should be verified against cut out dimensions BEFORE installation begins to confirm tolerances align.

*These values are indicative only and may vary depending on the model purchased, installation, and the seasonal resource used to manufacture e-NRG.

Global Compliance
All burners are UL Listed in accordance with MH46715/Subject1370 in the USA, Certified by BSI in accordance with EN16647 (excluding VB2), and comply with the ACCC Safety Mandate for Australia.



1200DB



Application	Indoor & Outdoor
Materials	Grade 304 Stainless Steel, Toughened Glass
Weight	54.9kg [120.7lbs] Weight includes burner.
Colour & SKU	Stainless Steel ESF.2.F.1200DB
Optional Accessories	Fire Screens, Echo Fixings

BURNER INFORMATION*

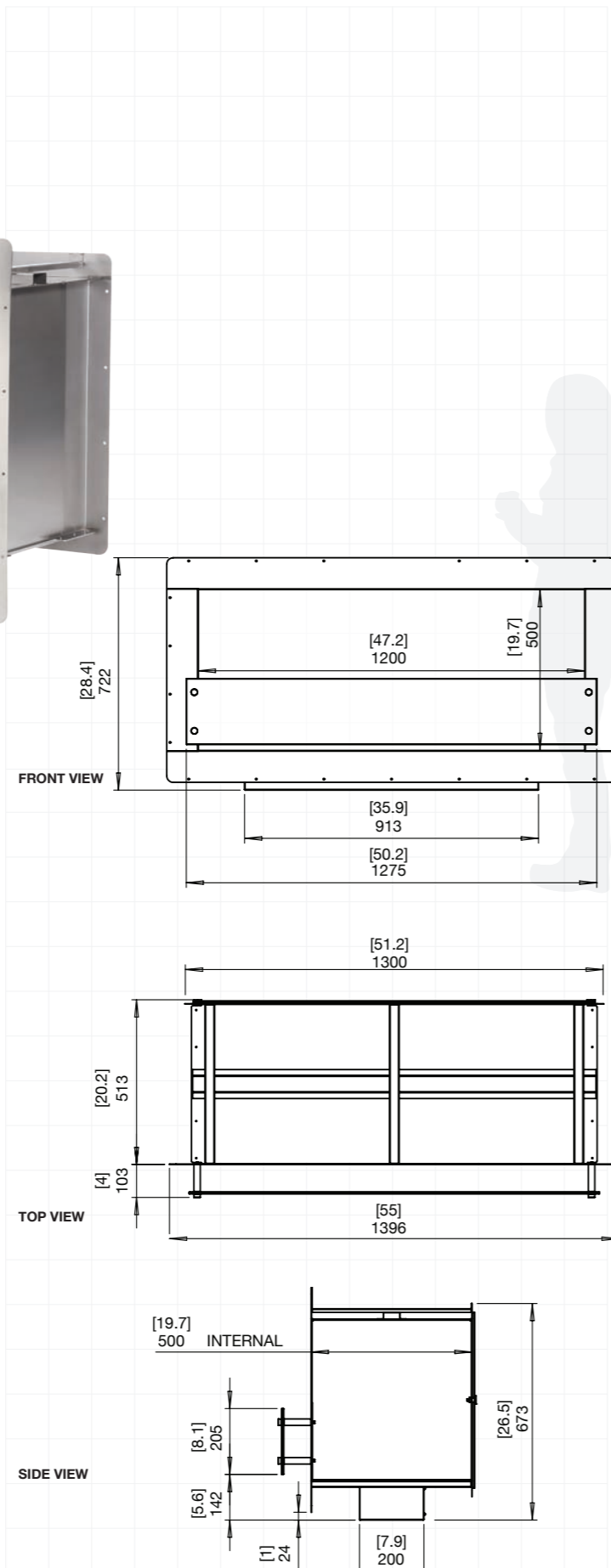
Burner	XL900
Fuel Type	e-NRG Bioethanol
Fuel Capacity	9 Litres [2.4 Gallons]
Heats on Average (when used indoors)	Over 60 square metres [645 square feet]
Burn Time	8 - 13 hours (approx)
Minimum Room Size	110 cubic metres [3884 cubic feet] per fireplace.

Physical model dimensions should be verified against cut out dimensions BEFORE installation begins to confirm tolerances align.

*These values are indicative only and may vary depending on the model purchased, installation, and the seasonal resource used to manufacture e-NRG.

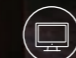
Global Compliance

All burners are UL Listed in accordance with MH46715/Subject1370 in the USA, Certified by BSI in accordance with EN16647 (excluding VB2), and comply with the ACCC Safety Mandate for Australia.



Shochu Bar, Germany
Model: 900DB

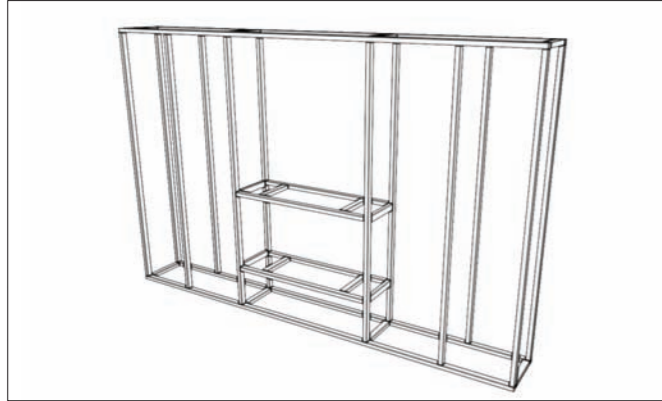
A see through EcoSmart fireplace has helped define the warmth and ambience - and personality - of one of Berlin's top 10 cocktail bars, the Shochu.

 Read more about this case study at ecosmartfire.com

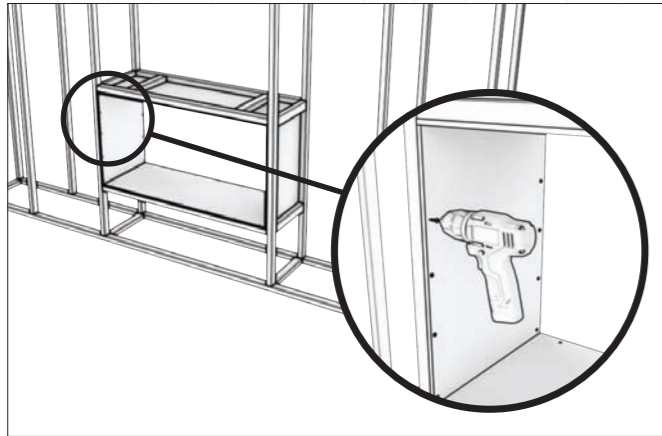
PREMIUM DOUBLE SIDED FIREPLACE INDICATIVE INSTALL

GUIDE ONLY - MUST READ THE INSTRUCTIONS INCLUDED WITH THE MODEL

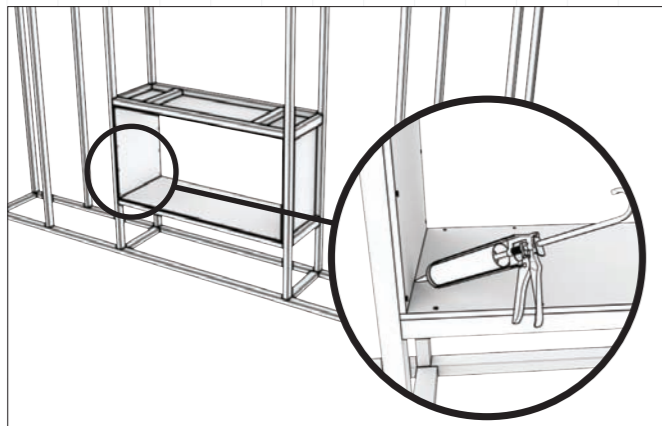
1. Construct main wall framework.



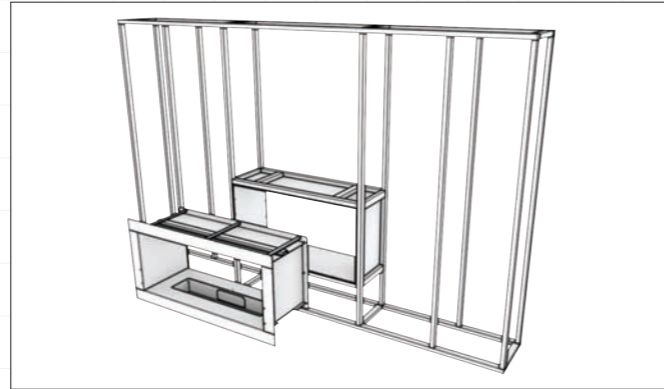
2. Create an insulated cavity using MAX 8mm [0.3in] fire retardant cement boards fixed to the framework.



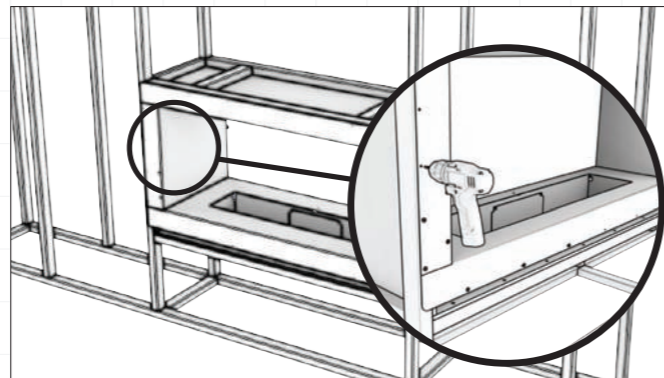
3. Silicone all internal edges to make the cavity watertight.



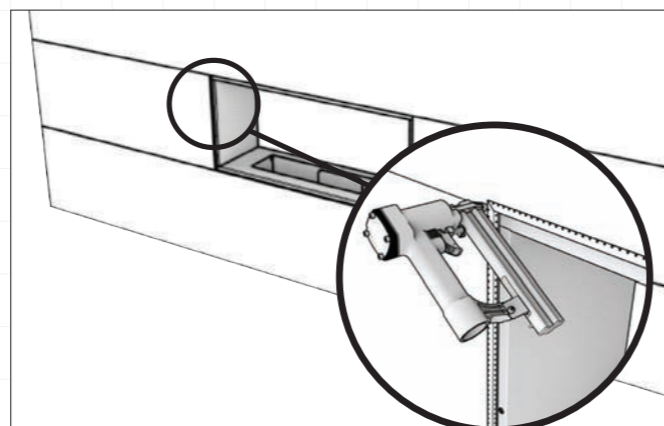
4. Slide the appliance inside the cavity (the bottom tray can sit directly on top of the cement board).



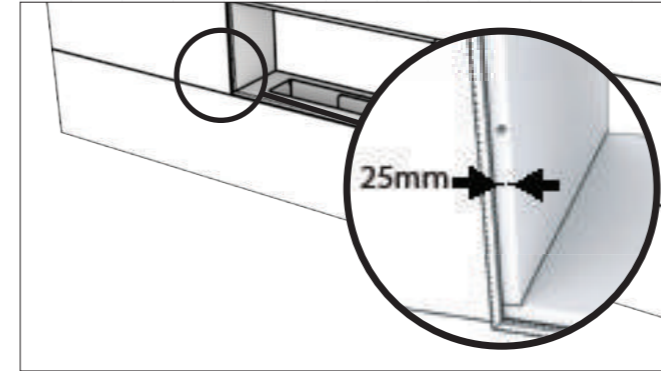
5. Fix the appliance to the structural frame using the existing mount holes on the appliance flange. Ensure back flange is flush with vertical wall struts.



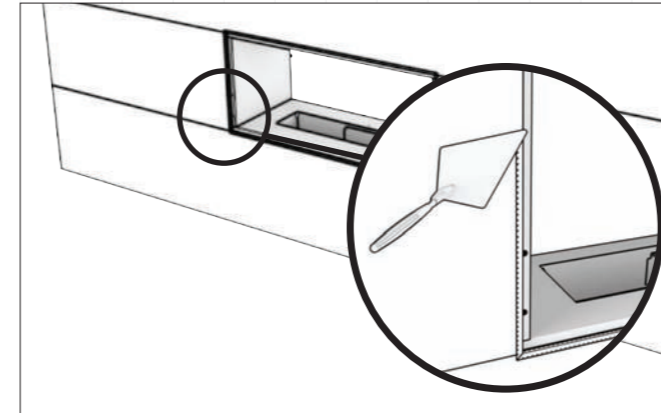
6. Apply surrounding gyprock/dry wall panels. Fix steel end beads on all 4 edges (mitre the corners).



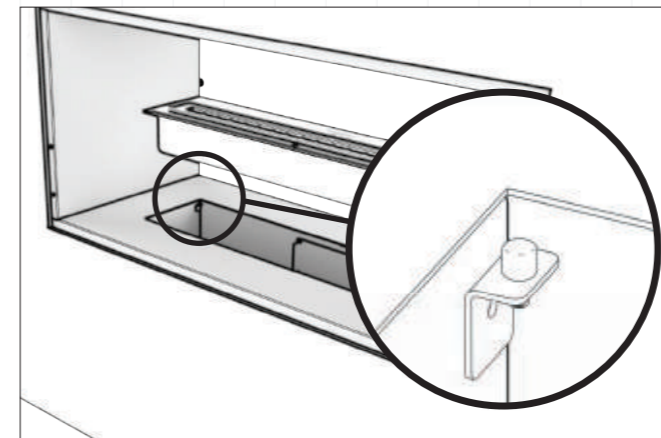
Caution: Leave a 25mm [1in] trim around the appliance to permit installation of the accompanying wind screens.



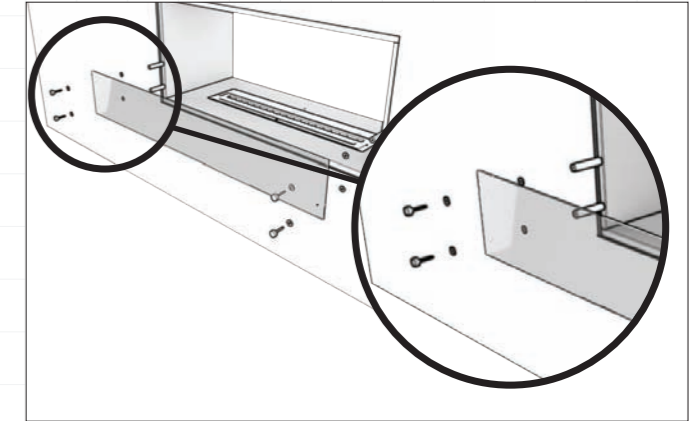
7. Plaster all seams and beads then paint to create the finished wall appearance.



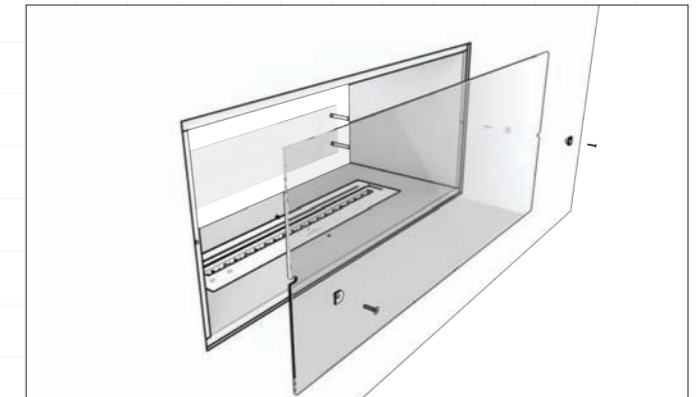
8. Place the burner into position (use leveling screws in the corner of the tray to achieve a level setting).



9. Install the Static Wind Screen using the spigots and washers provided.



10. Install Rear Back Glass using fixings provided.



OPERATE ACCORDING TO THE BURNER OPERATIONS MANUAL INCLUDED WITH THE BURNER.

BUILT-IN

CURVED FIREPLACE SERIES



The Curved Fireplace Series are intelligently designed for optimum heat output, flame enhancement and safety. Their high quality, steel construction has been designed to complement a wide range of building materials and finishes, enabling architects, interior designers and homeowners to create a traditional or modern look depending on the project brief.

Curvaceous Design

The unique curved feature radiates heat outward for full enjoyment and maximum fuel efficiency. Made from high quality mild steel, our Curved Series will last a lifetime.

No Flue or Chimney Needed

Our fireplaces don't need a chimney to vent harmful gases as burning liquid bioethanol doesn't produce any smoke.

No Gas or Electricity

All the fuel is housed within the self-contained burner so you don't have to run pipes or cables through your walls.



Colour

Available in a timeless black finish, Curved Fireplaces come with stainless steel burners and black glass charcoal as decorative media.

Zero Clearance

All the work has been done for you. Simply place a layer of insulation around the opening of your setting (standard building frame or existing fireplace cavity) and insert the fireplace into position.

Quick & Easy Installation

EcoSmart fireplace inserts are completely self-contained, which makes them much simpler to install than gas or wood burning fireplaces. No flashing, roof work or plumbing is required for installation.






The pre-drilled holes make fixing the fireplace into position quick and easy - then dress around the fireplace with your chosen finishing touch.

Sliding Glass Screen

This acts as both a safety barrier and fire shield against the wind.

BUILT-IN

CURVED FIREPLACE SPECIFICATIONS

COMPATIBLE BURNERS*	XL900	XL700	XL500	XS340
Fuel Capacity	9 Litres [2.4 Gallons]	7 Litres [1.8 Gallons]	5 Litres [1.3 Gallons]	2.5 Litres [0.7 Gallons]
Heats on Average	Over 60m ² [645ft ²]	Over 50m ² [538ft ²]	Over 40m ² [430.6ft ²]	Over 20m ² [215ft ²]
Approx. Burn Time	8 - 13 hours	9 - 12 hours	10 - 13 hours	5 hours
Minimum Room Size (per fireplace)	110m ³ [3884ft ³]	90m ³ [3178ft ³]	80m ³ [2825ft ³]	45m ³ [1589ft ³]
Included Accessories Operational accessories designed for safe and ergonomic fire ignition and extinguishing.	 Jerry Can  Lighting Rod + Lighter  Operations Manual  Black Glass Charcoal  XL Baffles			

CURVED FIREPLACES

650CV				• ^
720CV			• ^	
920CV		• ^		
1100CV	• ^			

* These values are indicative only and may vary depending on the model purchased, installation, and the seasonal resource used to manufacture e-NRG.
 ^ This model conforms to EN16647.

650CV



720CV



920CV



1100CV



650CV



Application	Indoor & Outdoor
Materials	Mild Steel (Zinc Sealed), Toughened Glass, & Glass Charcoal as Decorative Media
Weight	33.2kg [73lbs] Weight includes Burner and glass charcoal.
Colour & SKU	Black ESF.1.F.650CV

BURNER INFORMATION*

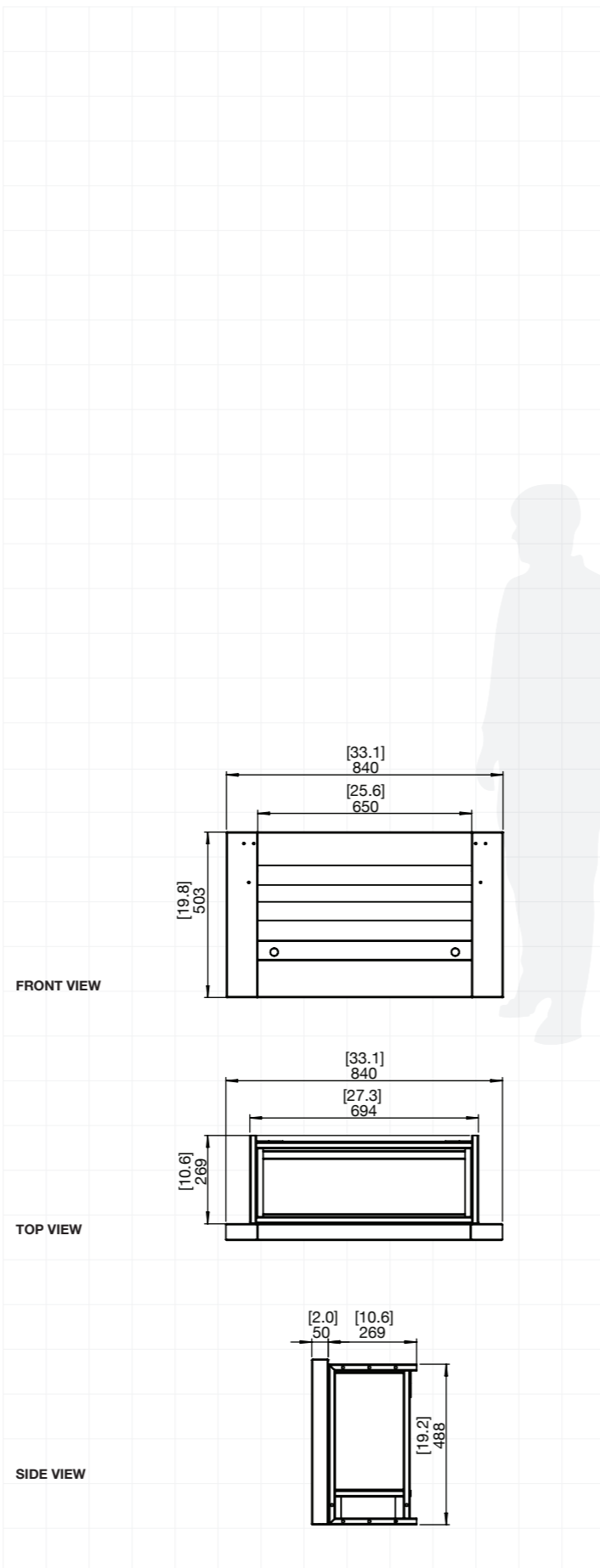
Burner	XS340
Fuel Type	e-NRG Bioethanol
Fuel Capacity	2.5 Litres [0.7 Gallons]
Heats on Average (when used indoors)	Over 20 square metres [215 square feet]
Burn Time	5 hours (approx)
Minimum Room Size	45 cubic metres [1589 cubic feet] per fireplace.

Physical model dimensions should be verified against cut out dimensions BEFORE installation begins to confirm tolerances align.

*These values are indicative only and may vary depending on the model purchased, installation, and the seasonal resource used to manufacture e-NRG.

Global Compliance

All burners are UL Listed in accordance with MH46715/Subject1370 in the USA, Certified by BSI in accordance with EN16647 (excluding VB2), and comply with the ACCC Safety Mandate for Australia.



720CV



Application	Indoor & Outdoor
Materials	Mild Steel (Zinc Sealed), Toughened Glass, & Glass Charcoal as Decorative Media
Weight	39.5kg [86.9bs] Weight includes Burner and glass charcoal.
Colour & SKU	Black ESF.1.F.720CV

BURNER INFORMATION*

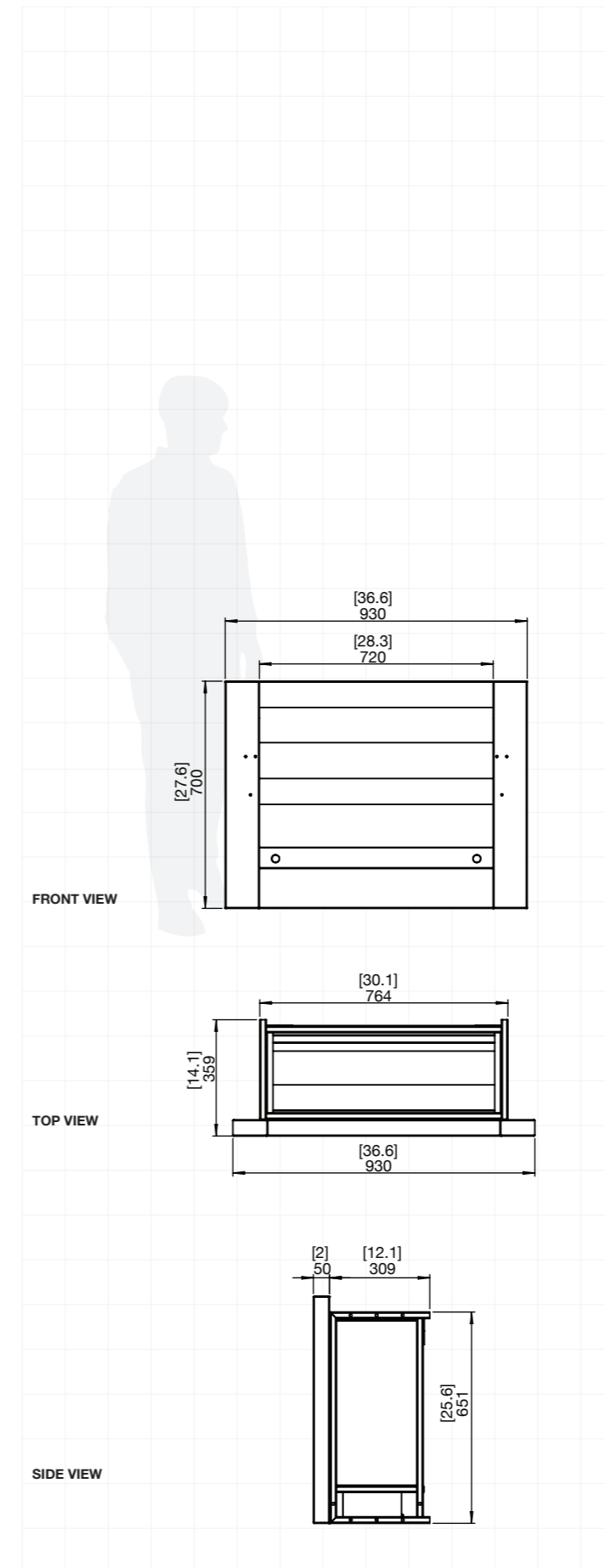
Burner	XL500
Fuel Type	e-NRG Bioethanol
Fuel Capacity	5 Litres [1.3 Gallons]
Heats on Average (when used indoors)	Over 40 square metres [430.6 square feet]
Burn Time	10 - 13 hours (approx)
Minimum Room Size	80 cubic metres [2825 cubic feet] per fireplace.

Physical model dimensions should be verified against cut out dimensions BEFORE installation begins to confirm tolerances align.

*These values are indicative only and may vary depending on the model purchased, installation, and the seasonal resource used to manufacture e-NRG.

Global Compliance

All burners are UL Listed in accordance with MH46715/Subject1370 in the USA, Certified by BSI in accordance with EN16647 (excluding VB2), and comply with the ACCC Safety Mandate for Australia.



920CV



Application	Indoor & Outdoor
Materials	Mild Steel (Zinc Sealed), Toughened Glass, & Glass Charcoal as Decorative Media
Weight	40.7kg [89.5lbs] Weight includes Burner and glass charcoal.
Colour & SKU	Black ESF.1.F.920CV

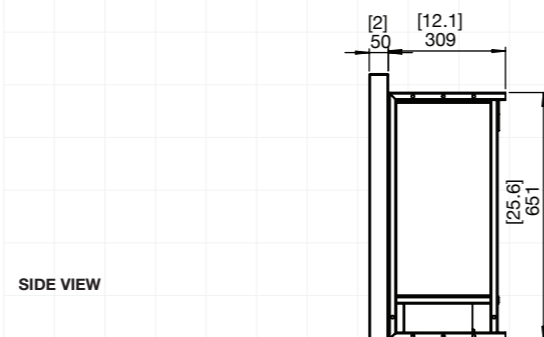
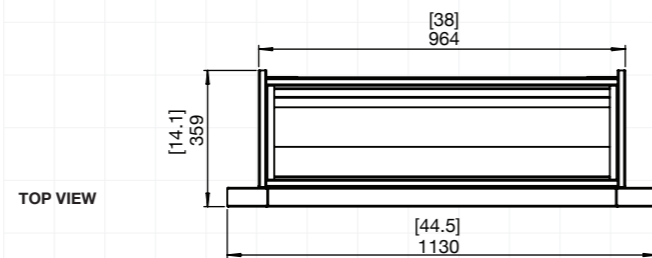
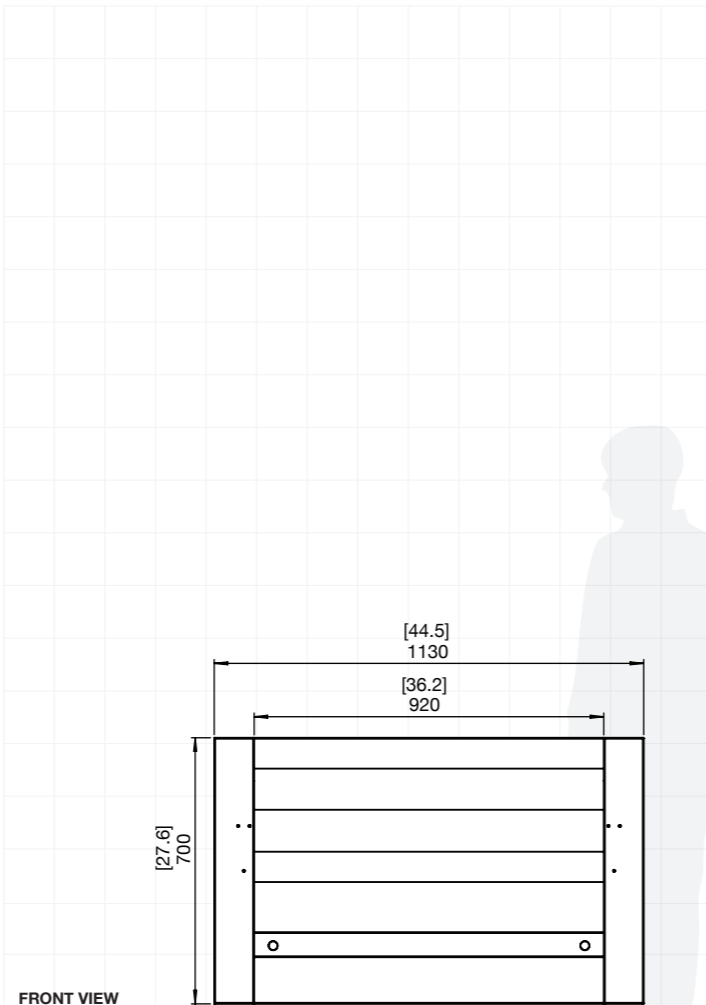
BURNER INFORMATION*

Burner	XL700
Fuel Type	e-NRG Bioethanol
Fuel Capacity	7 Litres [1.8 Gallons]
Heats on Average (when used indoors)	Over 50 square metres [538 square feet]
Burn Time	9 - 12 hours (approx)
Minimum Room Size	90 cubic metres [3178 cubic feet] per fireplace.

Physical model dimensions should be verified against cut out dimensions BEFORE installation begins to confirm tolerances align.

*These values are indicative only and may vary depending on the model purchased, installation, and the seasonal resource used to manufacture e-NRG.

Global Compliance
All burners are UL Listed in accordance with MH46715/Subject1370 in the USA, Certified by BSI in accordance with EN16647 (excluding VB2), and comply with the ACCC Safety Mandate for Australia.



1100CV



Application	Indoor & Outdoor
Materials	Mild Steel (Zinc Sealed), Toughened Glass, & Glass Charcoal as Decorative Media
Weight	55.5kg [122.2lbs] Weight includes Burner and glass charcoal.
Colour & SKU	Black ESF.1.F.1100CV

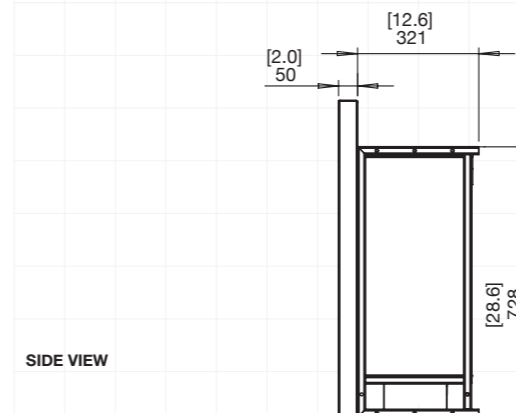
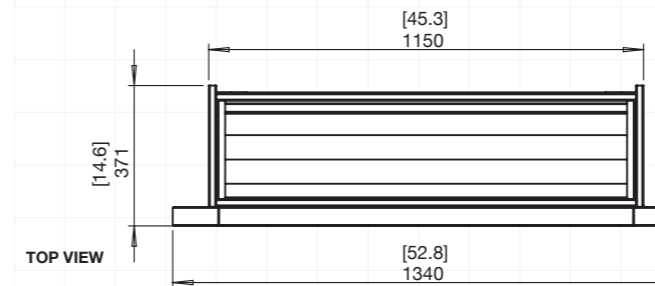
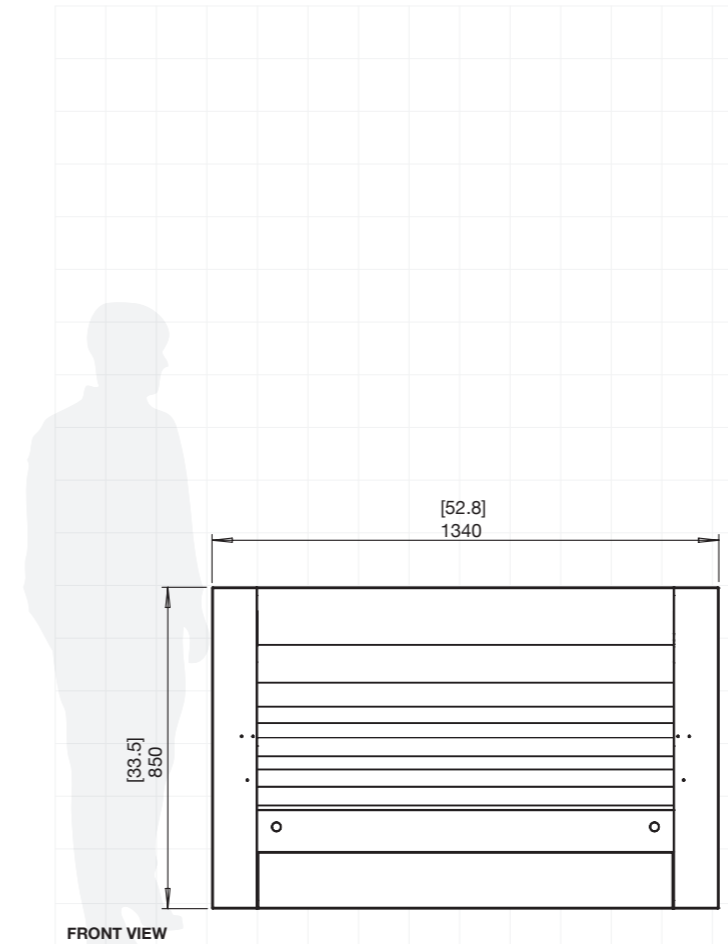
BURNER INFORMATION*

Burner	XL900
Fuel Type	e-NRG Bioethanol
Fuel Capacity	9 Litres [2.4 Gallons]
Heats on Average (when used indoors)	Over 60 square metres [645 square feet]
Burn Time	8 - 13 hours (approx)
Minimum Room Size	110 cubic metres [3884 cubic feet] per fireplace.

Physical model dimensions should be verified against cut out dimensions BEFORE installation begins to confirm tolerances align.

*These values are indicative only and may vary depending on the model purchased, installation, and the seasonal resource used to manufacture e-NRG.

Global Compliance
All burners are UL Listed in accordance with MH46715/Subject1370 in the USA, Certified by BSI in accordance with EN16647 (excluding VB2), and comply with the ACCC Safety Mandate for Australia.



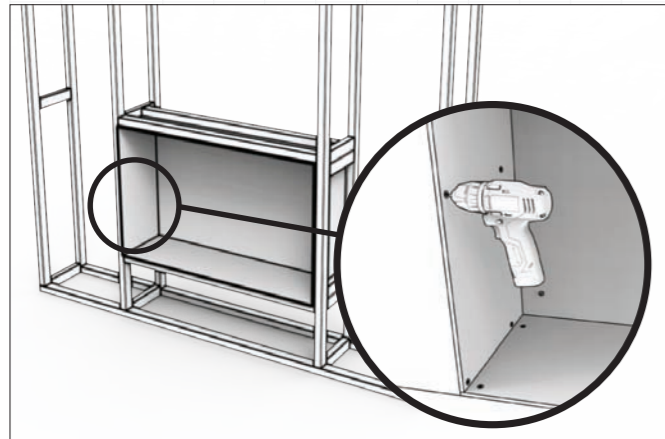
CURVED FIREPLACE SERIES INDICATIVE INSTALL

GUIDE ONLY - MUST READ THE INSTRUCTIONS INCLUDED WITH THE MODEL

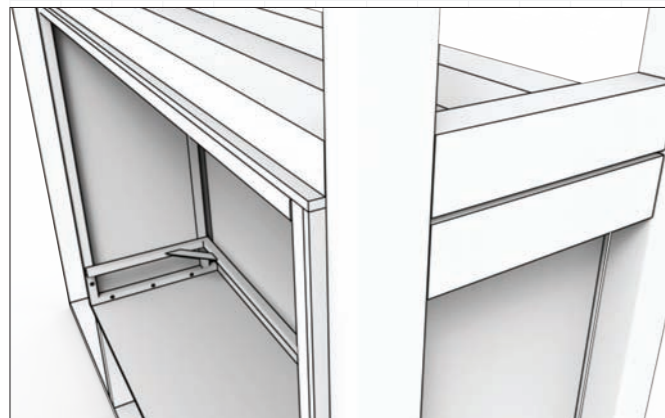
1. Construct main wall framework.



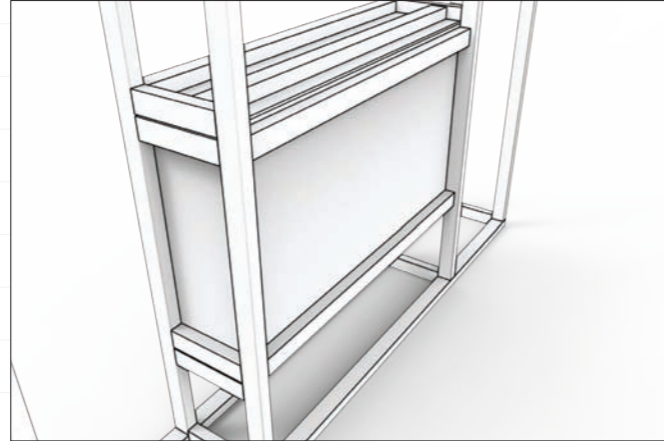
2. Create an insulated cavity using MAX 8mm [0.3in] fire retardant cement boards fixed to the framework.



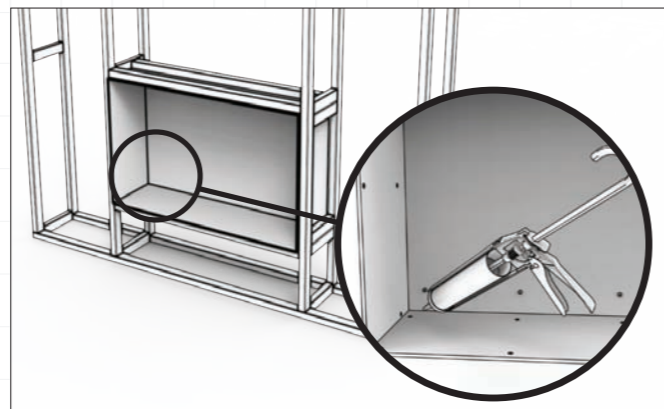
3. Ensure the cavity frame is offset from the timber frame. The offset distance must be the same as the wall panel (gyprock/dry wall thickness).



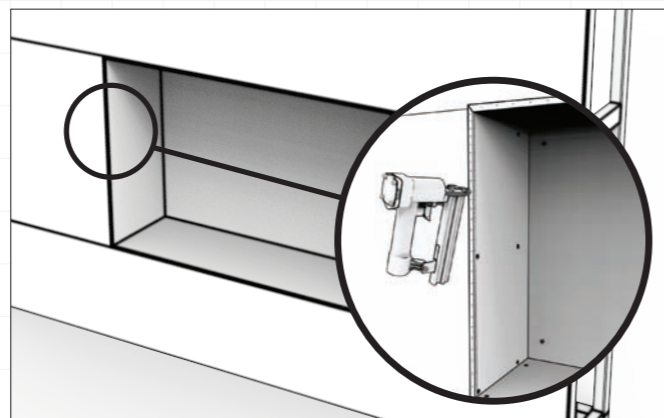
4. Add extra framing to secure fire-retardant sheeting.



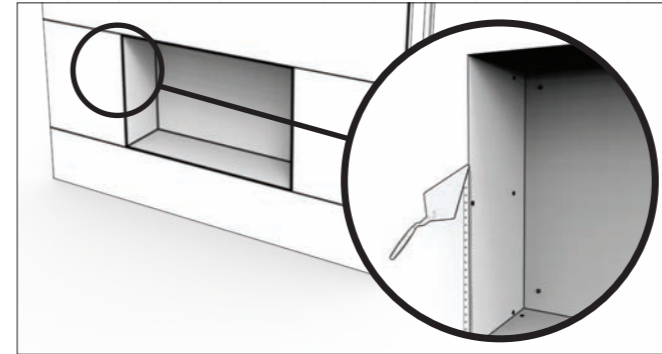
5. Silicone all internal edges to make the cavity watertight.



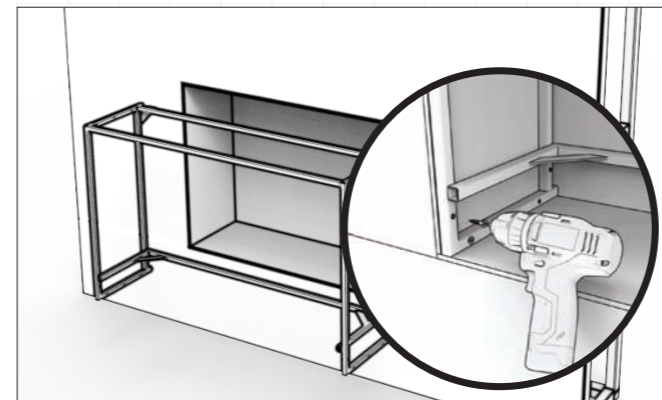
6. Apply surrounding gyprock/dry wall panels. Fix steel end beads on all 4 edges (mitre the corners).



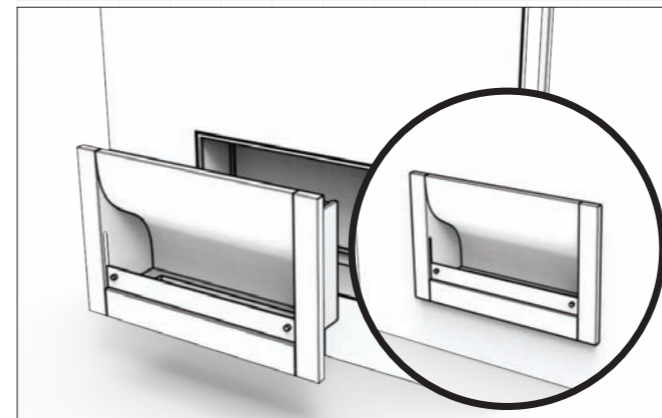
7. Plaster all seams and beads and paint to create the finished wall appearance.



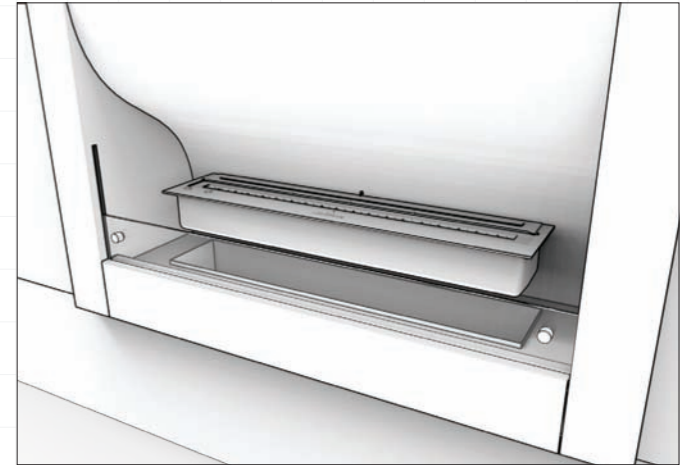
8. Insert the mounting frame into the cavity. Ensure the frame is flush with the wall edge or the fireplace will not sit flush. Secure the mounting frame. Ensure screws are engaging the timber frames behind the fire-retardant panels.



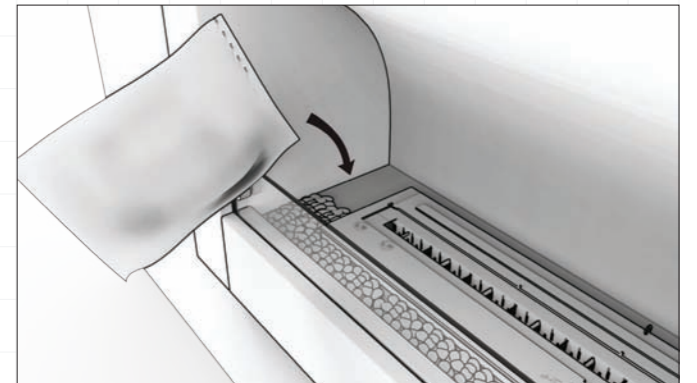
9. Push the appliance into the cavity. Push until the magnets engage with the mounting frame.



10. Ensure the glass screen is at the lowest position. Place the burner into fireplace tray.



11. Evenly spread glass charcoal around the appliance base. Position glass screen back up to its full height. Always operate with the glass screen in full upright position.



OPERATE ACCORDING TO THE BURNER OPERATIONS MANUAL INCLUDED WITH THE BURNER.

BUILT-IN

FLEX FIREPLACE SERIES



Model: FLEX86DB.BX1

EcoSmart's Flex Series delivers 173 different fireplace models revolving around six flexible fireplace solutions, which can be configured to any architectural blueprint, interior design brief or homeowner's DIY plans.

Whatever model you choose, your Flex Fireplace will feature self contained, flueless construction, which means all the fuel is safely housed within the burner. This makes it easy for builders, contractors or cabinetmakers to install and for you to enjoy.

6 STYLES

Revolving around six iconic fireplace solutions – Single Sided, Left Corner, Right Corner, Bay, Peninsula and Double Sided – the 173 versatile models can be configured according to your bespoke build brief or interior design needs.

12 SIZES

Ranging from 455mm [18"] to 4,015mm [158"] in length, the iconic zero clearance models are ventless, free of smoke and soot, and fuelled by a renewable energy source.

4 CONFIGURATIONS

To customise your Flex fireplace to your design brief or installation needs, simply choose how you fill the viewing area. Select from flame only, one side box (left or right) or two side boxes (one on either side).

173 MODELS

This is the biggest fireplace series released in EcoSmart's history, with each model setting the benchmark in design freedom and installation FLEXibility.



WHICH FLEX ARE YOU?

EcoSmart's Flex Series offers unprecedented choice and flexibility. From small to large, residential, commercial or hospitality environments we make it easy to achieve your interior design vision.

	SINGLE SIDED	LEFT CORNER	RIGHT CORNER	BAY	PENINSULA (Can be used Left & Right)	DOUBLE SIDED
FLEX18 FIREPLACE OPENING 455mm [18in]					<i>rotate all</i>	
FLEX32 FIREPLACE OPENING 810mm [32in]						
FLEX42 FIREPLACE OPENING 1,065mm [42in]						
FLEX50 FIREPLACE OPENING 1,270mm [50in]						<i>rotate</i>
FLEX60 FIREPLACE OPENING 1,525mm [60in]						<i>rotate</i>
FLEX68 FIREPLACE OPENING 1,730mm [68in]						<i>rotate</i>
FLEX78 FIREPLACE OPENING 1,985mm [78in]						

SINGLE SIDED

LEFT CORNER

RIGHT CORNER

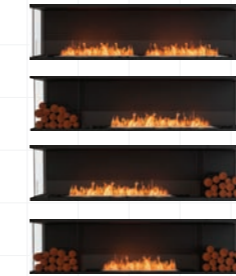
BAY

PENINSULA
(Can be used Left & Right)

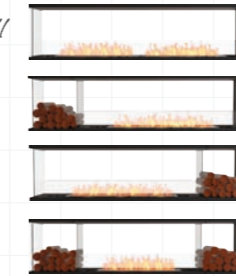
DOUBLE SIDED

FLEX86

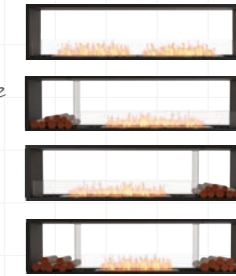
FIREPLACE OPENING
2185mm [86in]



rotate all

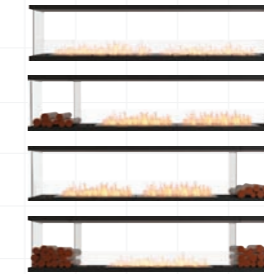
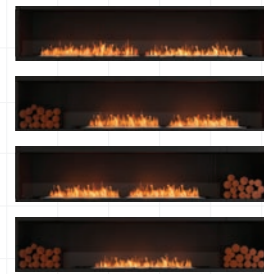


rotate

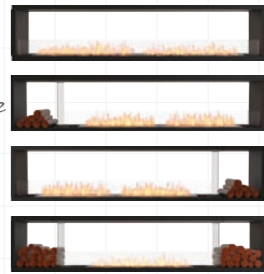


FLEX104

FIREPLACE OPENING
2,645mm [104in]

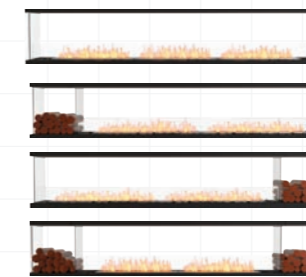


rotate

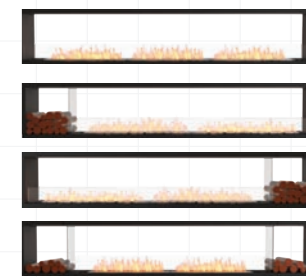


FLEX122

FIREPLACE OPENING
3,100mm [122in]



rotate



FLEX140

FIREPLACE OPENING
3,560mm [140in]



rotate



FLEX158

FIREPLACE OPENING
4,015mm [158in]



STEPS TO SELECTING YOUR FLEX FIREPLACE

The easiest way to start to work out which of the 173 models from the Flex collection is best for you is to follow these 3 simple steps.

1

SELECT FIREPLACE STYLE

Choose if your setting will act as a room divider and service multiple spaces, or a single room application that services one space.

SINGLE ROOM



SINGLE SIDED



LEFT CORNER



RIGHT CORNER



BAY

ROOM DIVIDER



PENINSULA

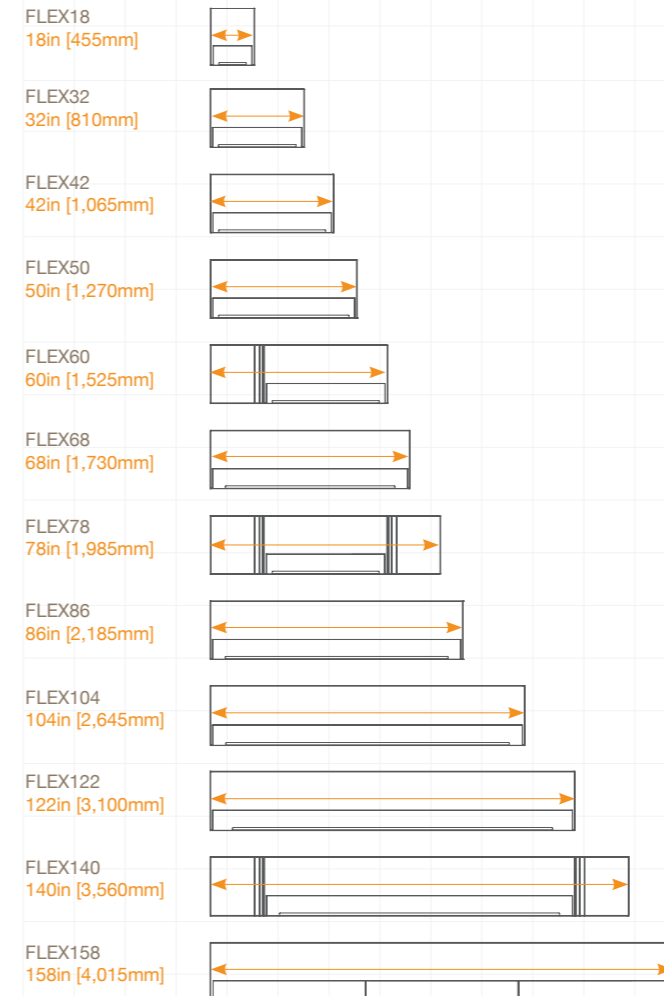


DOUBLE SIDED

2

SELECT SIZE OF VIEWING AREA

To help decide which Flex model to select, determine your wall / space available and the ideal viewing area for your fireplace opening. You can choose from the following 12 viewing areas ranging from 455mm [18"] to 4,015mm [158"].



3

SELECT YOUR CONFIGURATION

Now it's time to decide how you want the viewing area to be configured. On the following pages you'll see what options are available in the size and style you have selected.

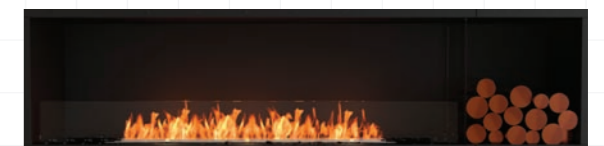
FLAME ONLY



PLUS 1 DECORATIVE BOX ON THE LEFT



PLUS 1 DECORATIVE BOX ON THE RIGHT



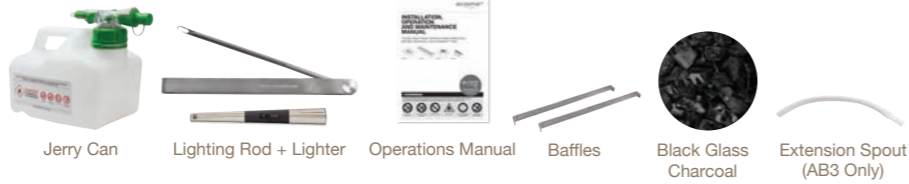


PLUS 2 DECORATIVE BOXES LEFT & RIGHT



FLEX SERIES FIREPLACE SPECIFICATIONS

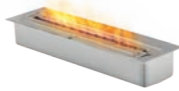
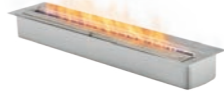


FLEX18 - FLEX78

		
INCLUDED BURNERS*	AB3 x 1	XL500 x 1
Fuel Capacity	2.5 L [0.7 Gals] x 1	5 L [1.3 Gals] x 1
Heats on Average (when used indoors)	Over 20m ² [215ft ²]	Over 40m ² [430.6ft ²]
Approx. Burn Time	8 - 11 hours	10 - 13 hours
Minimum Room Size (per fireplace)	40m ³ [1413ft ³]	80m ³ [2825ft ³]
Included Accessories Operational accessories designed for safe and ergonomic fire ignition and extinguishing.		

FLEX FIREPLACES*

FLEX18 Minimum Wall Length 635mm [25in]	18SS / 18LC / 18RC / 18BY / 18PN / 18DB	
FLEX32 Minimum Wall Length 1,015 mm [40in]		32SS / 32LC / 32RC / 32BY / 32PN / 32DB
FLEX42 Minimum Wall Length 1,270mm [50in]		
FLEX50 Minimum Wall Length 1,475mm [58in]		50SS.BXL / 50SS.BXR / 50LC.BXL / 50LC.BXR / 50RC.BXL / 50RC.BXR / 50BY.BXL / 50BY.BXR / 50PN.BXL / 50PN.BXR / 50DB.BX1
FLEX60 Minimum Wall Length 1,730mm [68in]		
FLEX68 Minimum Wall Length 1,935mm [76in]		68SS.BX2 / 68LC.BX2 / 68RC.BX2 / 68BY.BX2 / 68PN.BX2 / 68DB.BX2
FLEX78 Minimum Wall Length 2,190mm [86in]		



*These values are indicative only and may vary depending on the model purchased, installation, and the seasonal resource used to manufacture e-NRG. These models conform to EN16647.









		
XL700 x 1	XL900 x 1	XL1200 x 1
7 L [1.8 Gals] x 1	9 Litres [2.4 Gallons] x 1	10 L [2.6 Gals] x 1
Over 50m ² [538ft ²]	Over 60m ² [645ft ²]	Over 65m ² [700ft ²]
9 - 12 hours	8 - 13 hours	9 - 14 hours
90m ³ [3178ft ³]	110m ³ [3884ft ³]	115m ³ [4061ft ³]
		

42SS / 42LC / 42RC / 42BY / 42PN / 42DB		
	50SS / 50LC / 50RC / 50BY / 50PN / 50DB	
60SS.BXL / 60SS.BXR / 60LC.BXL / 60LC.BXR / 60RC.BXL / 60RC.BXR / 60BY.BXL / 60BY.BXR / 60PN.BXL / 60PN.BXR / 60DB.BX1 /		
	68SS.BXL / 68SS.BXR / 68LC.BXL / 68LC.BXR / 68RC.BXL / 68RC.BXR / 68BY.BXL / 68BY.BXR / 68PN.BXL / 68PN.BXR / 68DB.BX1	68SS / 68LC / 68RC / 68BY / 68PN / 68DB
78SS.BX2 / 78LC.BX2 / 78RC.BX2 / 78BY.BX2 / 78PN.BX2 / 78DB.BX2		

FLEX SERIES FIREPLACE SPECIFICATIONS

FLEX86 - FLEX158

INCLUDED BURNERS*	 XL900 x 2	 XL900 x 3
Fuel Capacity	9 Litres [2.4 Gallons] x 2	9 Litres [2.4 Gallons] x 3
Heats on Average (when used indoors)	Over 120m ² [1290ft ²]	Over 180m ² [1935ft ²]
Approx. Burn Time	8 - 13 hours	8 - 13 hours
Minimum Room Size (per fireplace)	220m ³ [7769ft ³]	330m ³ [11652ft ³]
Included Accessories Operational accessories designed for safe and ergonomic fire ignition and extinguishing.	 Jerry Can  Lighting Rod + Lighter  Operations Manual  Baffles  Black Glass Charcoal	

 XL1200 x 1	 XL1200 x 2	 XL1200 x 3
10 L [2.6 Gals] x 1	10 L [2.6 Gals] x 2	10 L [2.6 Gals] x 3
Over 65m ² [700ft ²]	Over 130m ² [1400ft ²]	Over 195m ² [2100ft ²]
9 - 14 hours	9 - 14 hours	9 - 14 hours
115m ³ [4061ft ³]	230m ³ [8122ft ³]	345m ³ [12183ft ³]
 Jerry Can  Lighting Rod + Lighter  Operations Manual  Baffles  Black Glass Charcoal		

FLEX FIREPLACES#

FLEX86 Minimum Wall Length 2,395mm [94in]	86SS / 86LC / 86RC / 86BY / 86PN / 86DB	
FLEX104 Minimum Wall Length 2,855mm [112in]	104SS.BXL / 104SS.BXR / 104LC.BXL / 104LC.BXR / 104RC.BXL / 104RC.BXR / 104BY.BXL / 104BY.BXR / 104PN.BXL / 104PN.BXR / 104DB.BX1	
FLEX122 Minimum Wall Length 3,315mm [131in]	122SS.BX2 / 122LC.BX2 / 122RC.BX2 / 122BY.BX2 / 122PN.BX2 / 122DB.BX2	122SS / 122LC / 122RC / 122BY / 122DB / 122PN
FLEX140 Minimum Wall Length 3,775mm [149in]		140SS.BXL / 140SS.BXR / 140LC.BXL / 140LC.BXR / 140RC.BXL / 140RC.BXR / 140BY.BXL / 140BY.BXR / 140PN.BXL / 140PN.BXR / 140DB.BX1
FLEX158 Minimum Wall Length 4,235mm [167in]		158SS.BX2 / 158LC.BX2 / 158RC.BX2 / 158BY.BX2 / 158PN.BX2 / 158DB.BX2

86SS.BXL / 86SS.BXR / 86LC.BXL / 86LC.BXR / 86RC.BXL / 86RC.BXR / 86BY.BXL / 86BY.BXR / 86PN.BXL / 86PN.BXR / 86DB.BX1		
104SS.BX2 / 104LC.BX2 / 104RC.BX2 / 104BY.BX2 / 104PN.BX2 / 104DB.BX2	104SS / 104LC / 104RC / 104BY / 104PN / 104DB	
	122SS.BXL / 122SS.BXR / 122LC.BXL / 122LC.BXR / 122RC.BXL / 122RC.BXR / 122BY.BXL / 122BY.BXR / 122PN.BXL / 122PN.BXR / 122DB.BX1	
	140SS.BX2 / 140LC.BX2 / 140RC.BX2 / 140BY.BX2 / 140PN.BX2 / 140DB.BX2	
		158SS / 158LC / 158RC / 158BY / 158PN / 158DB

*These values are indicative only and may vary depending on the model purchased, installation, and the seasonal resource used to manufacture e-NRG. These models conform to EN16647.

BUILT-IN

FLEX SINGLE SIDED FIREPLACES



Model: FLEX50

Clean Burning
Fueled by clean burning e-NRG bioethanol

Toughened Safety Screen
Your Flex Fireplace features toughened glass to stabilise the flame in windy conditions and provide an additional layer of safety and comfort. The integrated windscreen sits flush behind the frame.

Single Room Application
Single Sided fireplaces feature one open side - view the flame from the front.

Global Compliance
All burners are UL Listed in accordance with MH46715/Subject1370 in the USA, Certified by BSI in accordance with EN16647, and comply with the ACCC Safety Mandate for Australia.

Decorative Side Box
When a decorative box is added, the panel between the standard fire and the decorative box is glass.


Luxurious Finish
Available in a timeless black finish, Flex Fireplaces come with stainless steel burners and black glass charcoal.

Built to Last a Lifetime
Zinc sealed steel construction powder coated with super hi-temp black paint prevents rusting so all fireplaces can be used both indoors or outdoors.

Decorative Steel Log Sets
EcoSmart Fire offers non-combustible logs as an optional, eye-catching accessory for models with the decorative side box. Made from stainless steel with a patina finish, they are available in different finishes.

Zero Clearance
Self-contained, zero clearance construction allows your Flex fireplace to be framed into wood or metal studs, providing installation freedom and flexibility for builders, architects, interior designers, landscapers and homeowners.

OPTIONAL ACCESSORIES



Decorative Steel Logs

SINGLE SIDED FIREPLACES

FLEX18

Minimum Wall Length 635mm [25in]



18SS

FLEX60

Minimum Wall Length 1,730mm [68in]



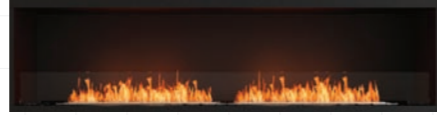
60SS.BXL



60SS.BXR

FLEX86

Minimum Wall Length 2,395mm [94in]



86SS



86SS.BXL



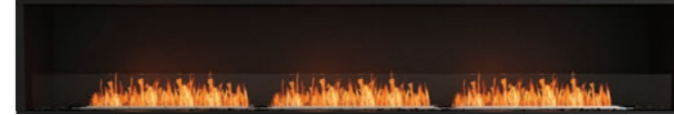
86SS.BXR



86SS.BX2

FLEX122

Minimum Wall Length 3,315mm [131in]



122SS



122SS.BX2



122SS.BXL



122SS.BXR

FLEX32

Minimum Wall Length 1,015 mm [40in]



32SS

FLEX68

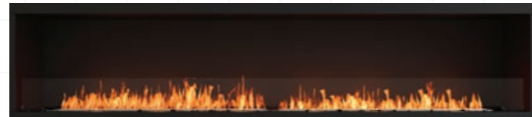
Minimum Wall Length 1,935mm [76in]



68SS

FLEX104

Minimum Wall Length 2,855mm [112in]



104SS

FLEX42

Minimum Wall Length 1,270mm [50in]



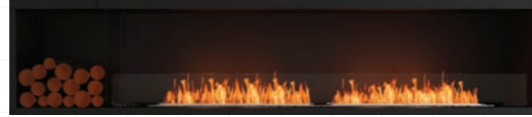
42SS



68SS.BXL



68SS.BXR



104SS.BXL

FLEX50

Minimum Wall Length 1,475mm [58in]



50SS



68SS.BX2



104SS.BXR



50SS.BXL

FLEX78

Minimum Wall Length 2,190mm [86in]



78SS



104SS.BX2



50SS.BXR

FLEX140

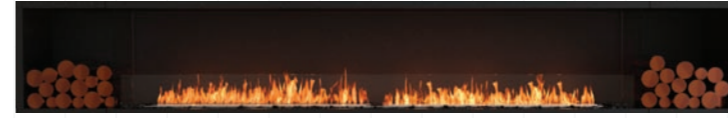
Minimum Wall Length 3,775mm [149in]



140SS.BXL



140SS.BXR



140SS.BX2

FLEX158

Minimum Wall Length 4,235mm [167in]



158SS



158SS.BX2

SINGLE SIDED FIREPLACES

Application	Indoor & Outdoor
Materials	Mild Steel (Zinc Sealed), Toughened Glass, Stainless Steel & Glass Charcoal as Decorative Media
Colours	Black Firebox, Stainless Steel Burner/s
Fuel Type	e-NRG Bioethanol

FLEX18

ESF.1.FX.18SS	
Weight	25.7kg [56.5lbs] (Incl. burner/s, glass charcoal, glass)
Burner	AB3 x 1
Volume Capacity	2.5 Litres [0.7 Gallons]
Heats on Average (when used indoors)	Over 20 square metres [215 square feet]
Burn Time	8 - 11 hours (approx)
Minimum Room Size	40 cubic metres [1413 cubic feet] per fireplace.
Minimum Wall Length	635mm [25in]

FLEX32

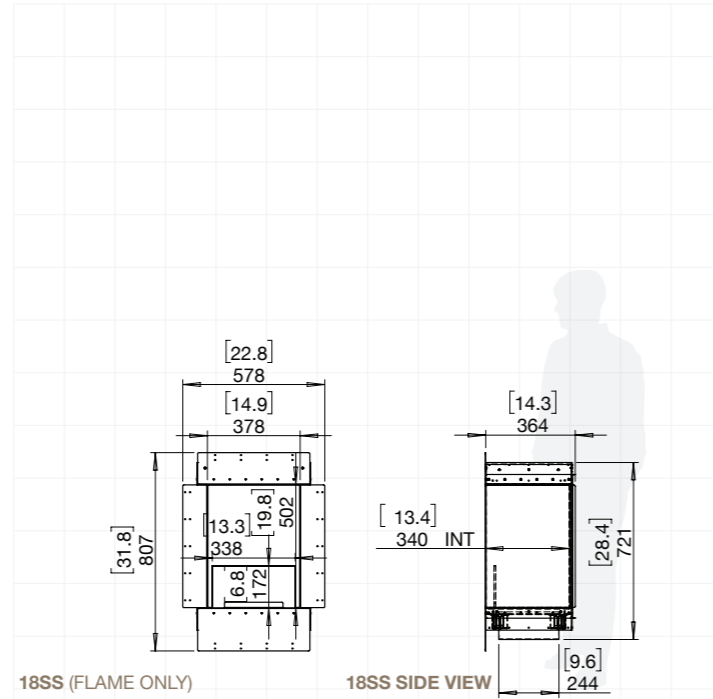
ESF.1.FX.32SS	
Weight	45.7kg [100.5lbs] (Incl. burner/s, glass charcoal, glass)
Burner	XL500 x 1
Volume Capacity	5 Litres [1.3 Gallons]
Heats on Average (when used indoors)	Over 40 square metres [430.6 square feet]
Burn Time	10 - 13 hours (approx)
Minimum Room Size	80 cubic metres [2825 cubic feet] per fireplace.
Minimum Wall Length	1,015mm [40in]

FLEX42

ESF.1.FX.42SS	
Weight	60kg [131.9lbs] (Incl. burner/s, glass charcoal, glass)
Burner	XL700 x 1
Volume Capacity	7 Litres [1.8 Gallons]
Heats on Average (when used indoors)	Over 50 square metres [538 square feet]
Burn Time	9 - 12 hours (approx)
Minimum Room Size	90 cubic metres [3178 cubic feet] per fireplace.
Minimum Wall Length	1,270mm [50in]

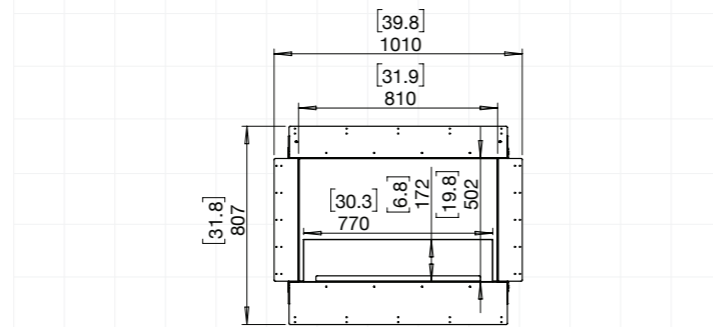
Physical model dimensions should be verified against cut out dimensions BEFORE installation begins to confirm tolerances align.

These values are indicative only and may vary depending on the model purchased, installation, and the seasonal resource used to manufacture e-NRG.

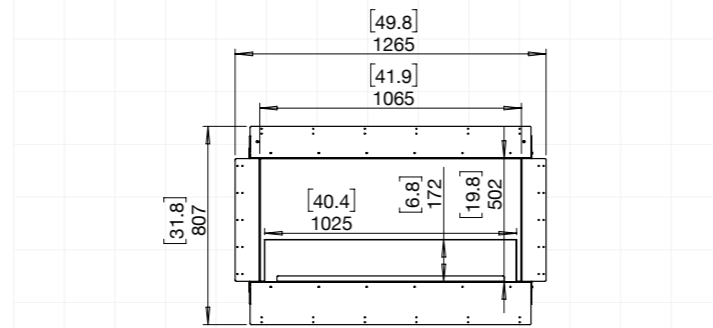


18SS (FLAME ONLY)

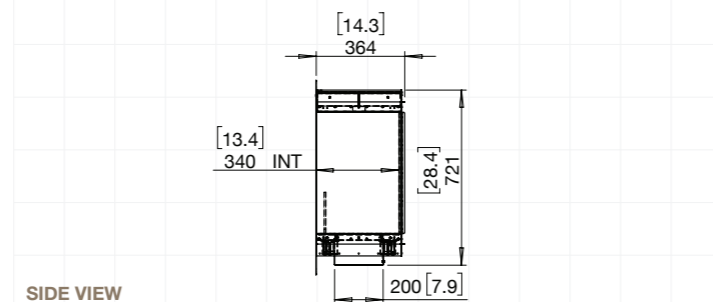
18SS SIDE VIEW



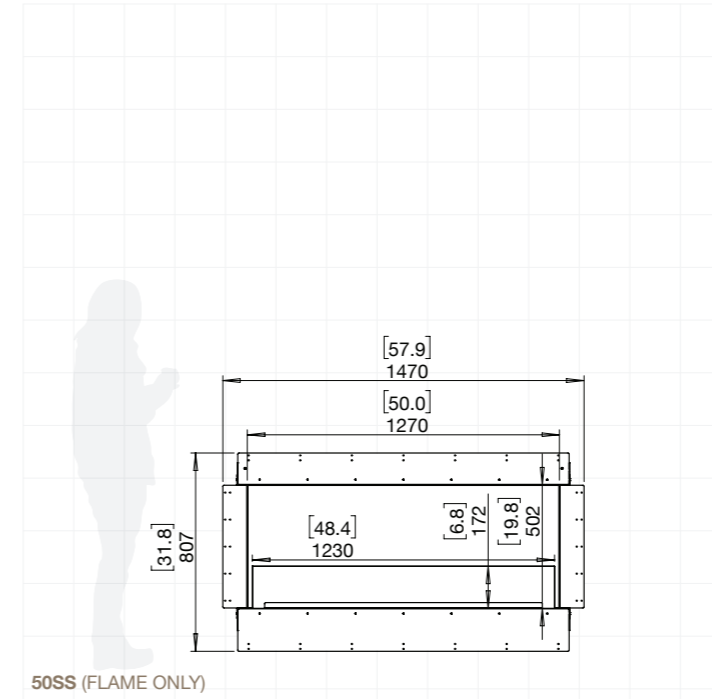
32SS (FLAME ONLY)



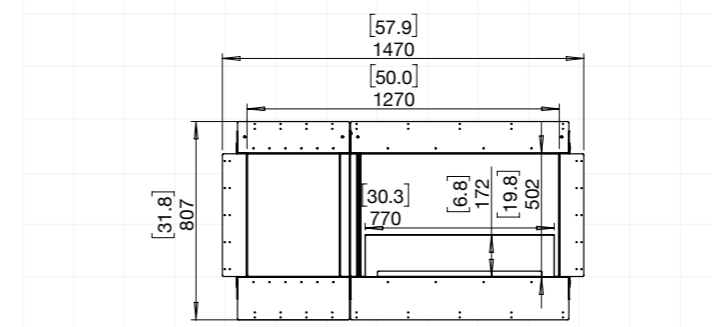
42SS (FLAME ONLY)



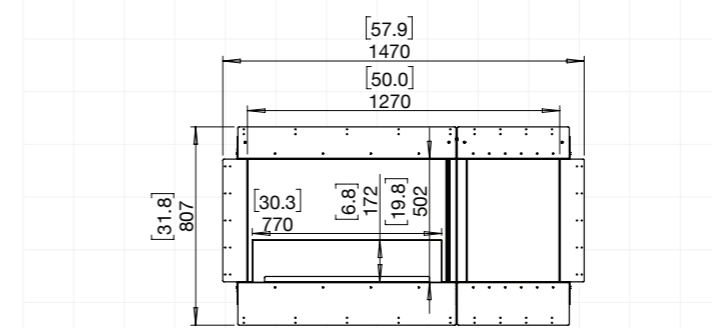
SIDE VIEW



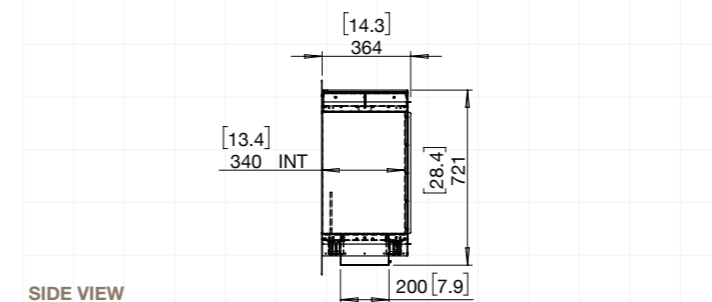
50SS (FLAME ONLY)



50SS.BXL (LEFT DECORATIVE BOX)



50SS.BXR (RIGHT DECORATIVE BOX)



SIDE VIEW

SINGLE SIDED FIREPLACES

Application	Indoor & Outdoor
Materials	Mild Steel (Zinc Sealed), Toughened Glass, Stainless Steel & Glass Charcoal as Decorative Media
Colours	Black Firebox, Stainless Steel Burner/s
Fuel Type	e-NRG Bioethanol

FLEX50

ESF.1.FX.50SS	
Weight	71.4kg [157.1lbs] (Incl. burner/s, glass charcoal, glass)
Burner	XL900 x 1
Volume Capacity	9 Litres [2.4 Gallons]
Heats on Average (when used indoors)	Over 60 square metres [645 square feet]
Burn Time	8 - 13 hours (approx)
Minimum Room Size	110 cubic metres [3884 cubic feet] per fireplace.
Minimum Wall Length	1,475mm [58in]

ESF.1.FX.50SS.BXL ESF.1.FX.50SS.BXR

Weight	69.9kg [153.8lbs] (Incl. burner/s, glass charcoal, glass)
Burner	XL500 x 1
Volume Capacity	5 Litres [1.3 Gallons]
Heats on Average (when used indoors)	Over 40 square metres [430.6 square feet]
Burn Time	10 - 13 hours (approx)
Minimum Room Size	80 cubic metres [2825 cubic feet] per fireplace.
Minimum Wall Length	1,475mm [58in]

Physical model dimensions should be verified against cut out dimensions BEFORE installation begins to confirm tolerances align.

These values are indicative only and may vary depending on the model purchased, installation, and the seasonal resource used to manufacture e-NRG.

SINGLE SIDED FIREPLACES

Application	Indoor & Outdoor
Materials	Mild Steel (Zinc Sealed), Toughened Glass, Stainless Steel & Glass Charcoal as Decorative Media
Colours	Black Firebox, Stainless Steel Burner/s
Fuel Type	e-NRG Bioethanol

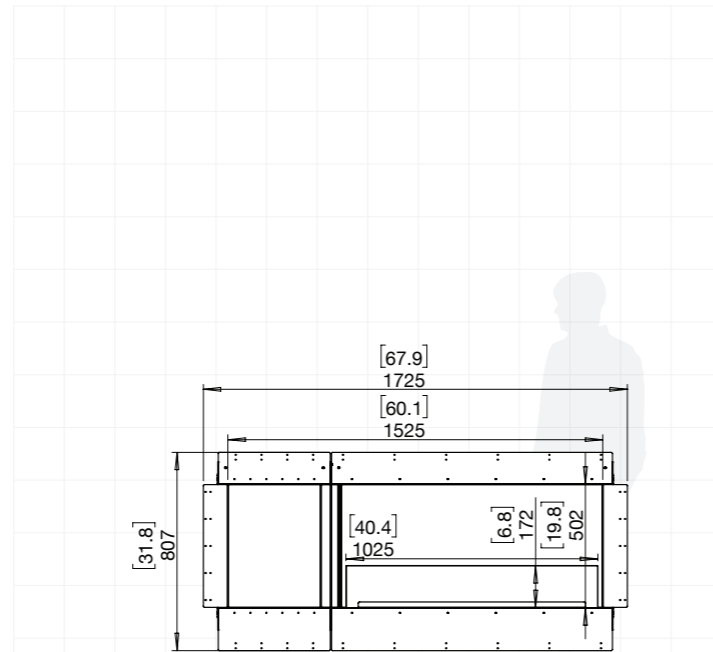
FLEX60.BX

ESF.1.FX.60SS.BXL
ESF.1.FX.60SS.BXR

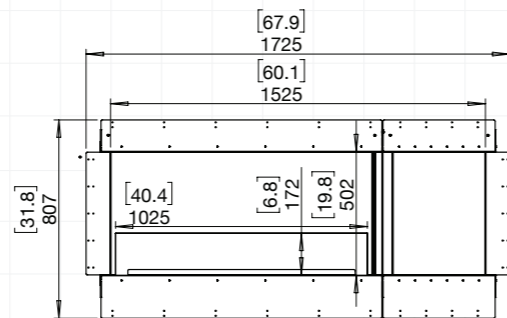
Weight	83.9kg [184.6lbs] (incl. burner/s, glass charcoal, glass)
Burner	XL700 x 1
Volume Capacity	7 Litres [1.8 Gallons]
Heats on Average (when used indoors)	Over 50 square metres [538 square feet]
Burn Time	9 - 12 hours (approx)
Minimum Room Size	90 cubic metres [3178 cubic feet] per fireplace.
Minimum Wall Length	1,730mm [68in]

Physical model dimensions should be verified against cut out dimensions BEFORE installation begins to confirm tolerances align.

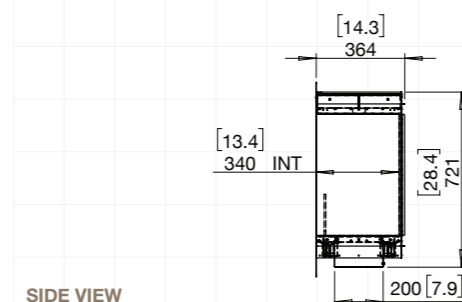
These values are indicative only and may vary depending on the model purchased, installation, and the seasonal resource used to manufacture e-NRG.



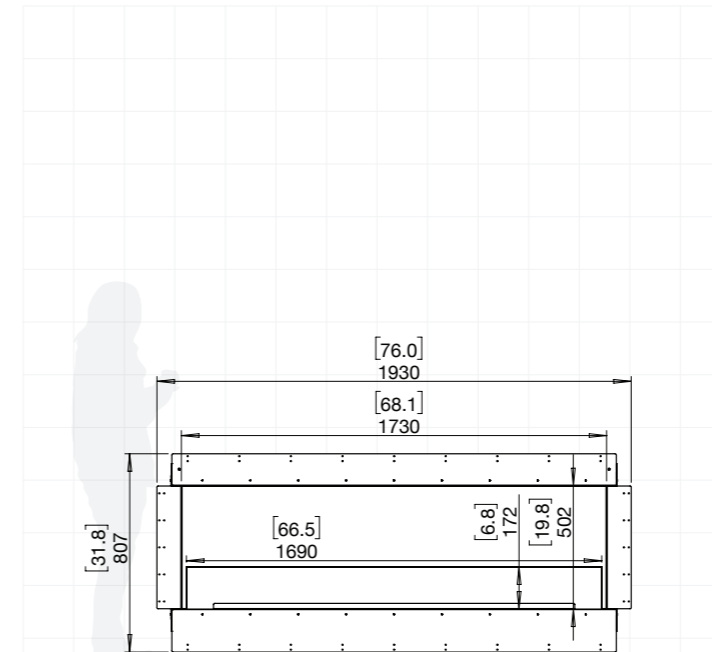
60SS.BXL (LEFT DECORATIVE BOX)



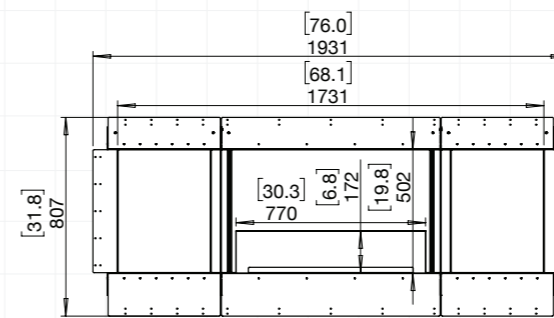
60SS.BXR (RIGHT DECORATIVE BOX)



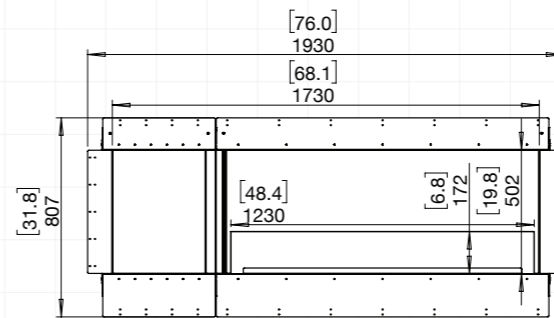
SIDE VIEW



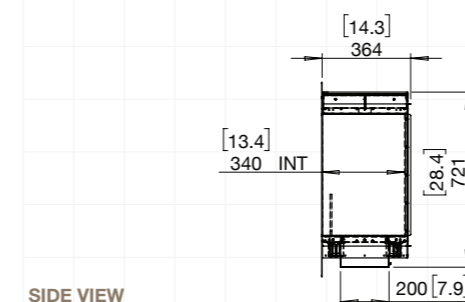
68SS (FLAME ONLY)



68SS.BX2 (LEFT & RIGHT DECORATIVE BOXES)



68SS.BXL (LEFT DECORATIVE BOX AS ILLUSTRATED)
68SS.BXR (RIGHT DECORATIVE BOX)



SIDE VIEW

SINGLE SIDED FIREPLACES

Application	Indoor & Outdoor
Materials	Mild Steel (Zinc Sealed), Toughened Glass, Stainless Steel & Glass Charcoal as Decorative Media
Colours	Black Firebox, Stainless Steel Burner/s
Fuel Type	e-NRG Bioethanol

FLEX68

ESF.2.FX.68SS

Weight	97.1kg [213.6lbs] (incl. burner/s, glass charcoal, glass)
Burner	XL1200 x 1
Volume Capacity	10 Litres [2.6 Gallons] x 1
Heats on Average	Over 65 square metres [700 square feet]
Burn Time	9 - 14 hours (approx)
Minimum Room Size	115 cubic metres [4061 cubic feet] per fireplace
Minimum Wall Length	1,935mm [76in]

ESF.1.FX.68SS.BX2

Weight	93.9kg [206.7lbs] (incl. burner/s, glass charcoal, glass)
Burner	XL500 x 1
Volume Capacity	5 Litres [1.3 Gallons]
Heats on Average	Over 40 square metres [430.6 square feet]
Burn Time	10 - 13 hours (approx)
Minimum Room Size	80 cubic metres [2825 cubic feet] per fireplace.
Minimum Wall Length	1,935mm [76in]

ESF.1.FX.68SS.BXL
ESF.1.FX.68SS.BXR

Weight	95.1kg [209.2lbs] (incl. burner/s, glass charcoal, glass)
Burner	XL900 x 1
Volume Capacity	9 Litres [2.4 Gallons]
Heats on Average	Over 60 square metres [645 square feet]
Burn Time	8 - 13 hours (approx)
Minimum Room Size	110 cubic metres [3884 cubic feet] per fireplace.
Minimum Wall Length	1,935mm [76in]

Physical model dimensions should be verified against cut out dimensions BEFORE installation begins to confirm tolerances align.

These values are indicative only and may vary depending on the model purchased, installation, and the seasonal resource used to manufacture e-NRG.

SINGLE SIDED FIREPLACES

Application	Indoor & Outdoor
Materials	Mild Steel (Zinc Sealed), Toughened Glass, Stainless Steel & Glass Charcoal as Decorative Media
Colours	Black Firebox, Stainless Steel Burner/s
Fuel Type	e-NRG Bioethanol

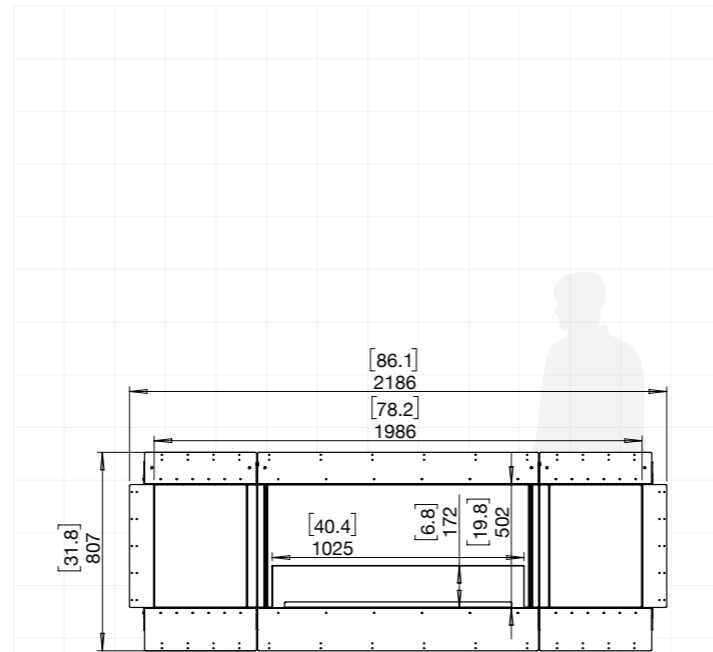
FLEX78

ESF.1.FX.78SS.BX2

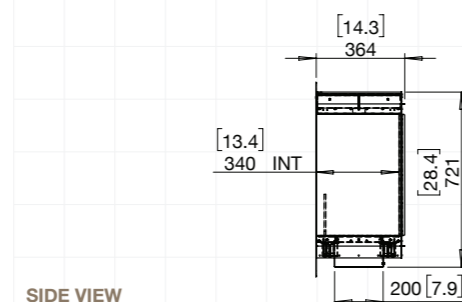
Weight	107.8kg [237.1lbs] (incl. burner/s, glass charcoal, glass)
Burner	XL700 x 1
Volume Capacity	7 Litres [1.8 Gallons]
Heats on Average (when used indoors)	Over 50 square metres [538 square feet]
Burn Time	9 - 12 hours (approx)
Minimum Room Size	90 cubic metres [3178 cubic feet] per fireplace.
Minimum Wall Length	2,190mm [86in]

Physical model dimensions should be verified against cut out dimensions BEFORE installation begins to confirm tolerances align.

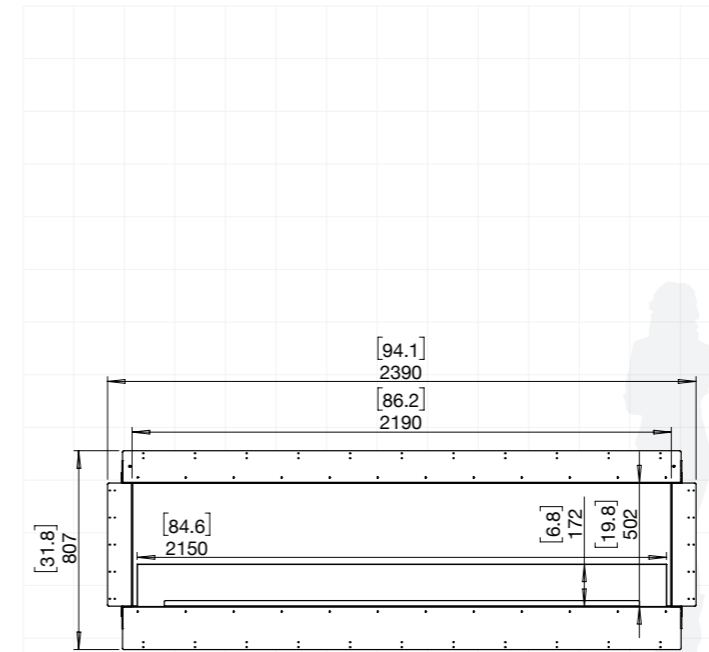
These values are indicative only and may vary depending on the model purchased, installation, and the seasonal resource used to manufacture e-NRG.



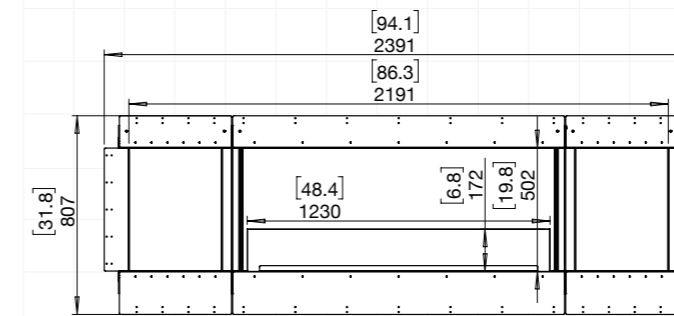
78SS.BX2 (LEFT & RIGHT DECORATIVE BOXES)



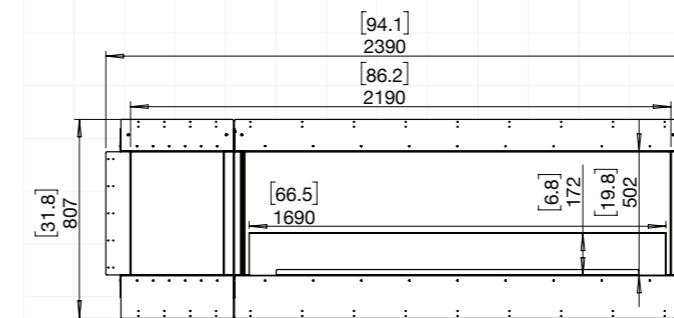
SIDE VIEW



86SS (FLAME ONLY)

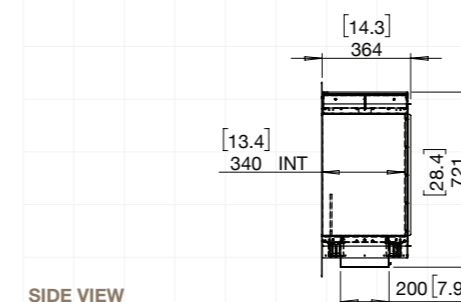


86SS.BX2 (LEFT & RIGHT DECORATIVE BOXES)



86SS.BXL (LEFT DECORATIVE BOX AS ILLUSTRATED)

86SS.BXR (RIGHT DECORATIVE BOX)



SIDE VIEW

SINGLE SIDED FIREPLACES

Application	Indoor & Outdoor
Materials	Mild Steel (Zinc Sealed), Toughened Glass, Stainless Steel & Glass Charcoal as Decorative Media
Colours	Black Firebox, Stainless Steel Burner/s
Fuel Type	e-NRG Bioethanol

FLEX86

ESF.1.FX.86SS

Weight	121.5kg [267.3lbs] (incl. burner/s, glass charcoal, glass)
Burner	XL900 x 2
Volume Capacity	9 Litres [2.4 Gallons] x 2
Heats on Average	Over 120 square metres [1290 square feet]
Burn Time	8 - 13 hours (approx)
Minimum Room Size	220 cubic metres [7768 cubic feet] per fireplace
Minimum Wall Length	2,395mm [94in]

ESF.1.FX.86SS.BX2

Weight	118.8kg [261.4lbs] (incl. burner/s, glass charcoal, glass)
Burner	XL900 x 1
Volume Capacity	9 Litres [2.4 Gallons]
Heats on Average	Over 60 square metres [645 square feet]
Burn Time	8 - 13 hours (approx)
Minimum Room Size	110 cubic metres [3884 cubic feet] per fireplace
Minimum Wall Length	2,395mm [94in]

ESF.2.FX.86SS.BXL

ESF.2.FX.86SS.BXR

Weight	119.4kg [262.7lbs] (incl. burner/s, glass charcoal, glass)
Burner	XL1200 x 1
Volume Capacity	10 Litres [2.6 Gallons] x 1
Heats on Average	Over 65 square metres [700 square feet]
Burn Time	9 - 14 hours (approx)
Minimum Room Size	115 cubic metres [4061 cubic feet] per fireplace
Minimum Wall Length	2,395mm [94in]

Physical model dimensions should be verified against cut out dimensions BEFORE installation begins to confirm tolerances align.

These values are indicative only and may vary depending on the model purchased, installation, and the seasonal resource used to manufacture e-NRG.

SINGLE SIDED FIREPLACES

Application	Indoor & Outdoor
Materials	Mild Steel (Zinc Sealed), Toughened Glass, Stainless Steel & Glass Charcoal as Decorative Media
Colours	Black Firebox, Stainless Steel Burner/s
Fuel Type	e-NRG Bioethanol

FLEX104

ESF.1.FX.104SS

Weight	146.2kg [321.6lbs] (incl. burner/s, glass charcoal, glass)
Burner	XL1200 x 2
Volume Capacity	10 Litres [2.6 Gallons] x 2
Heats on Average	Over 130 square metres [1400 square feet]
Burn Time	9 - 14 hours (approx)
Minimum Room Size	230 cubic metres [8122 cubic feet] per fireplace
Minimum Wall Length	2,855mm [112in]

ESF.2.FX.104SS.BX2

Weight	193.8kg [426.4lbs] (incl. burner/s, glass charcoal, glass)
Burner	XL1200 x 1
Volume Capacity	10 Litres [2.6 Gallons] x 1
Heats on Average	Over 65 square metres [700 square feet]
Burn Time	9 - 14 hours (approx)
Minimum Room Size	115 cubic metres [4061 cubic feet] per fireplace
Minimum Wall Length	2,855mm [112in]

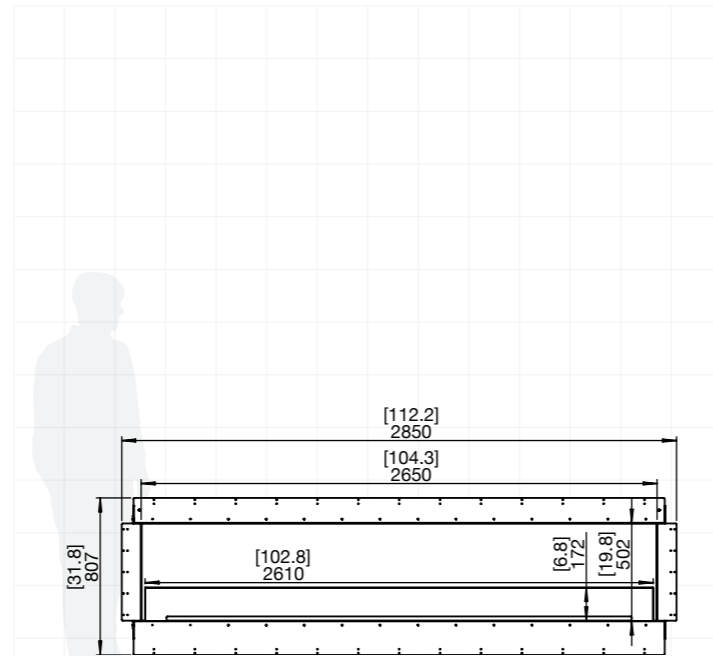
ESF.1.FX.104SS.BXL

ESF.1.FX.104SS.BXR

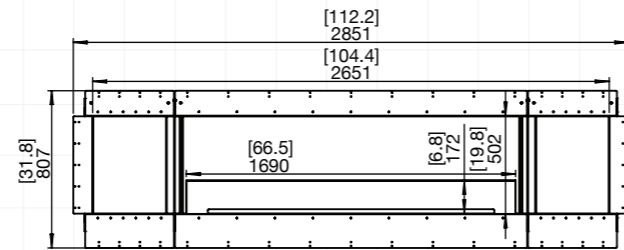
Weight	145.2kg [319.4lbs] (incl. burner/s, glass charcoal, glass)
Burner	XL900 x 2
Volume Capacity	9 Litres [2.4 Gallons] x 2
Heats on Average	Over 120 square metres [1290 square feet]
Burn Time	8 - 13 hours (approx)
Minimum Room Size	220 cubic metres [7768 cubic feet] per fireplace
Minimum Wall Length	2,855mm [112in]

Physical model dimensions should be verified against cut out dimensions BEFORE installation begins to confirm tolerances align.

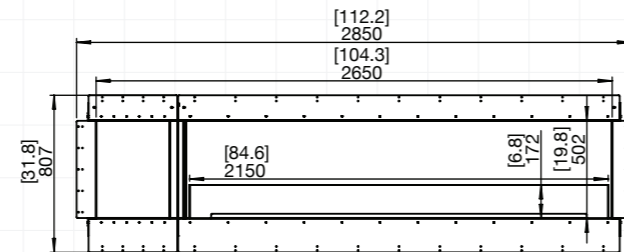
These values are indicative only and may vary depending on the model purchased, installation, and the seasonal resource used to manufacture e-NRG.



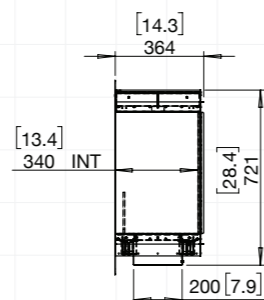
104SS (FLAME ONLY)



104SS.BX2 (LEFT & RIGHT DECORATIVE BOXES)



104SS.BXL (LEFT DECORATIVE BOX AS ILLUSTRATED)
104SS.BXR (RIGHT DECORATIVE BOX)



SIDE VIEW

SINGLE SIDED FIREPLACES

Application	Indoor & Outdoor
Materials	Mild Steel (Zinc Sealed), Toughened Glass, Stainless Steel & Glass Charcoal as Decorative Media
Colours	Black Firebox, Stainless Steel Burner/s
Fuel Type	e-NRG Bioethanol

FLEX122

ESF.1.FX.122SS

Weight	171.5kg [377.3lbs] (incl. burner/s, glass charcoal, glass)
Burner	XL900 x 3
Volume Capacity	9 Litres [2.4 Gallons] x 3
Heats on Average	Over 180 square metres [1935 square feet]
Burn Time	8 - 13 hours (approx)
Minimum Room Size	330 cubic metres [11652 cubic feet] per fireplace
Minimum Wall Length	3,315mm [131in]

ESF.1.FX.122SS.BX2

Weight	168.9kg [371.6lbs] (incl. burner/s, glass charcoal, glass)
Burner	XL900 x 2
Volume Capacity	9 Litres [2.4 Gallons] x 2
Heats on Average	Over 120 square metres [1290 square feet]
Burn Time	8 - 13 hours (approx)
Minimum Room Size	220 cubic metres [7768 cubic feet] per fireplace
Minimum Wall Length	3,315mm [131in]

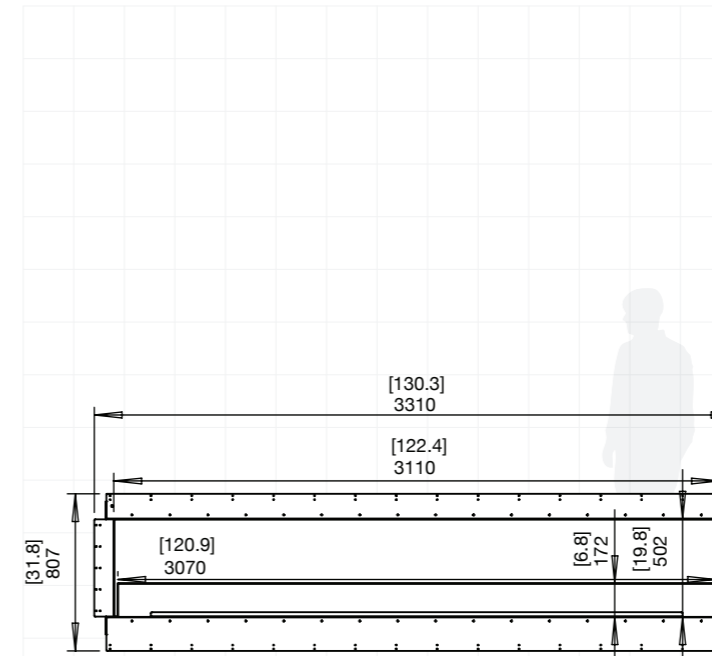
ESF.1.FX.122SS.BXL

ESF.1.FX.122SS.BXR

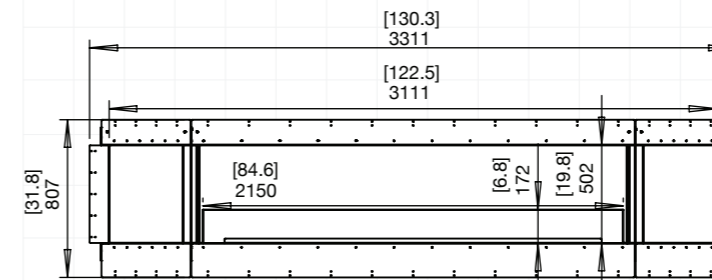
Weight	170.1kg [374.2lbs] (incl. burner/s, glass charcoal, glass)
Burner	XL1200 x 2
Volume Capacity	10 Litres [2.6 Gallons] x 2
Heats on Average	Over 130 square metres [1400 square feet]
Burn Time	9 - 14 hours (approx)
Minimum Room Size	230 cubic metres [8122 cubic feet] per fireplace
Minimum Wall Length	3,315mm [131in]

Physical model dimensions should be verified against cut out dimensions BEFORE installation begins to confirm tolerances align.

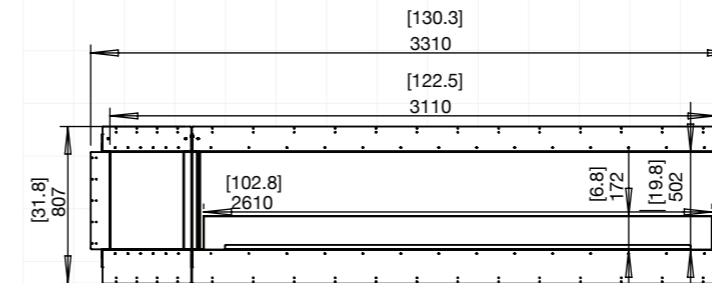
These values are indicative only and may vary depending on the model purchased, installation, and the seasonal resource used to manufacture e-NRG.



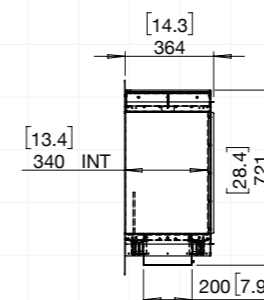
122SS (FLAME ONLY)



122SS.BX2 (LEFT & RIGHT DECORATIVE BOXES)



122SS.BXL (LEFT DECORATIVE BOX AS ILLUSTRATED)
122SS.BXR (RIGHT DECORATIVE BOX)



SIDE VIEW

SINGLE SIDED FIREPLACES

Application	Indoor & Outdoor
Materials	Mild Steel (Zinc Sealed), Toughened Glass, Stainless Steel & Glass Charcoal as Decorative Media
Colours	Black Firebox, Stainless Steel Burner/s
Fuel Type	e-NRG Bioethanol

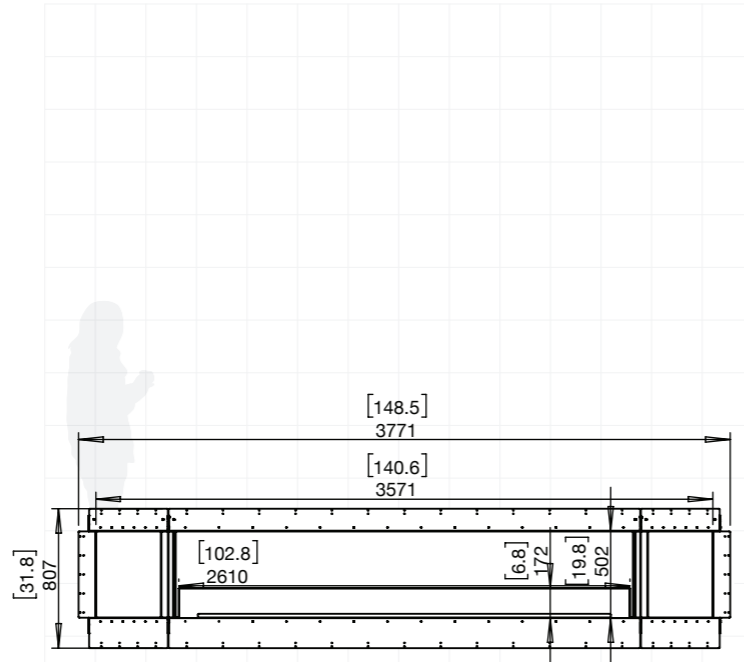
FLEX140

ESF.1.FX.140SS.BX2	
Weight	193.8kg [426.4lbs] (Incl. burner/s, glass charcoal, glass)
Burner	XL1200 x 2
Volume Capacity	10 Litres [2.6 Gallons] x 2
Heats on Average	Over 130 square metres [1400 square feet]
Burn Time	9 - 14 hours (approx)
Minimum Room Size	230 cubic metres [8122 cubic feet] per fireplace
Minimum Wall Length	3,775mm [149in]

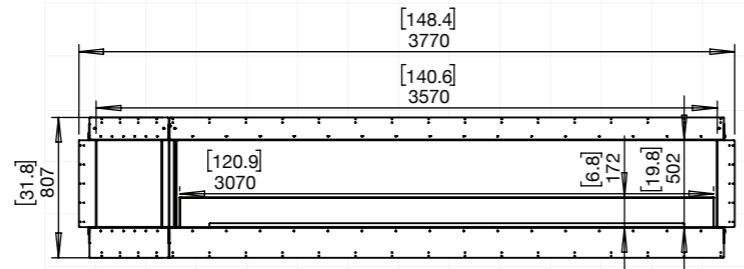
ESF.1.FX.140SS.BXL	
ESF.1.FX.140SS.BXR	
Weight	195.2kg [429.4lbs] (Incl. burner/s, glass charcoal, glass)
Burner	XL900 x 3
Volume Capacity	9 Litres [2.4 Gallons] x 3
Heats on Average	Over 180 square metres [1935 square feet]
Burn Time	8 - 13 hours (approx)
Minimum Room Size	330 cubic metres [11652 cubic feet] per fireplace
Minimum Wall Length	3,775mm [149in]

Physical model dimensions should be verified against cut out dimensions BEFORE installation begins to confirm tolerances align.

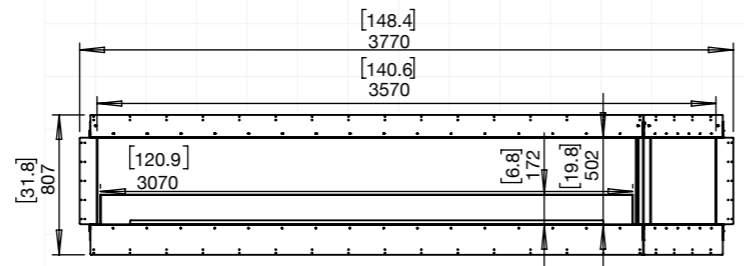
These values are indicative only and may vary depending on the model purchased, installation, and the seasonal resource used to manufacture e-NRG.



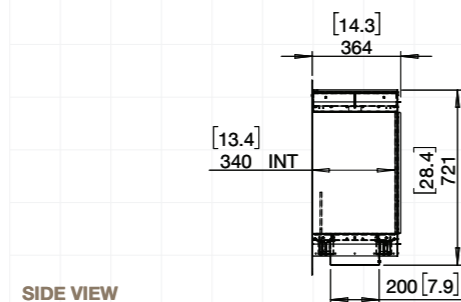
140SS.BX2 (LEFT & RIGHT DECORATIVE BOXES)



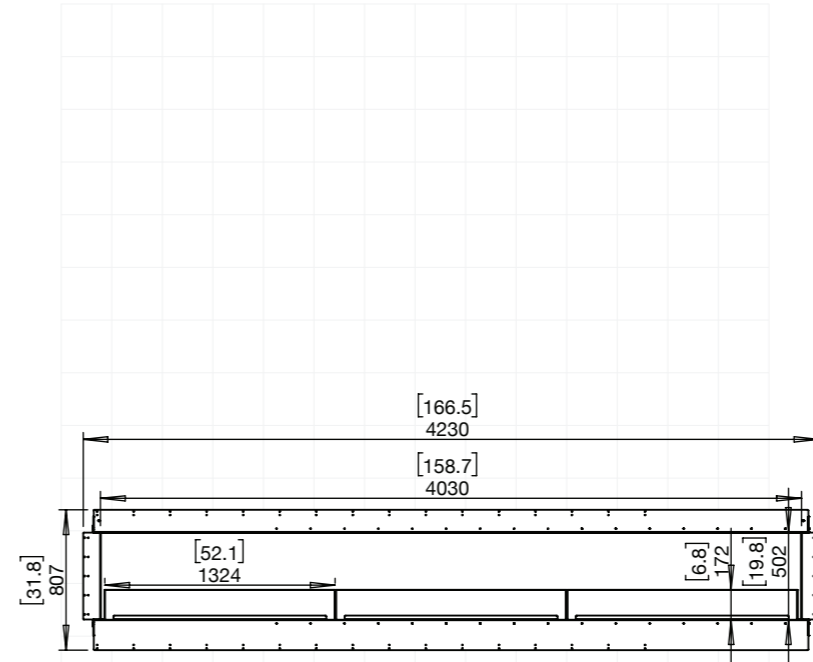
140SS.BXL (LEFT DECORATIVE BOX)



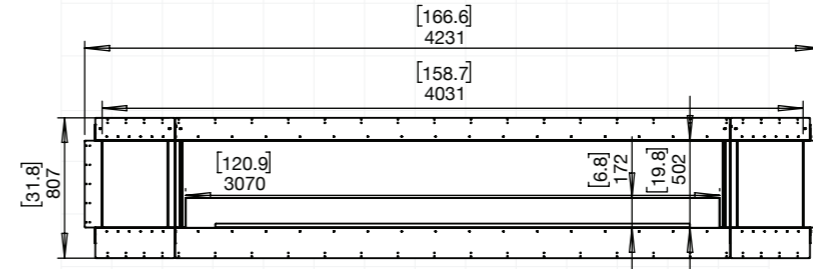
140SS.BXR (RIGHT DECORATIVE BOX)



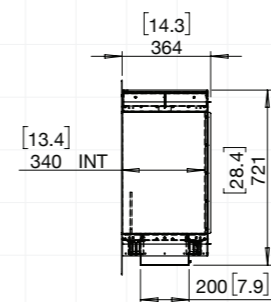
SIDE VIEW



158SS (FLAME ONLY)



158SS.BX2 (LEFT & RIGHT DECORATIVE BOXES)



SIDE VIEW

SINGLE SIDED FIREPLACES

Application	Indoor & Outdoor
Materials	Mild Steel (Zinc Sealed), Toughened Glass, Stainless Steel & Glass Charcoal as Decorative Media
Colours	Black Firebox, Stainless Steel Burner/s
Fuel Type	e-NRG Bioethanol

FLEX158

ESF.1.FX.158SS	
Weight	222.1kg [488.6lbs] (Incl. burner/s, glass charcoal, glass)
Burner	XL1200 x 3
Volume Capacity	10 Litres [2.6 Gallons] x 3
Heats on Average	Over 195 square metres [2100 square feet]
Burn Time	9 - 14 hours (approx)
Minimum Room Size	345 cubic metres [12183 cubic feet] per fireplace
Minimum Wall Length	4,235mm [167in]

ESF.1.FX.158SS.BX2	
Weight	218.9kg [481.6lbs] (Incl. burner/s, glass charcoal, glass)
Burner	XL900 x 3
Volume Capacity	9 Litres [2.4 Gallons] x 3
Heats on Average	Over 180 square metres [1935 square feet]
Burn Time	8 - 13 hours (approx)
Minimum Room Size	330 cubic metres [11652 cubic feet] per fireplace
Minimum Wall Length	4,235mm [167in]

Physical model dimensions should be verified against cut out dimensions BEFORE installation begins to confirm tolerances align.

These values are indicative only and may vary depending on the model purchased, installation, and the seasonal resource used to manufacture e-NRG.

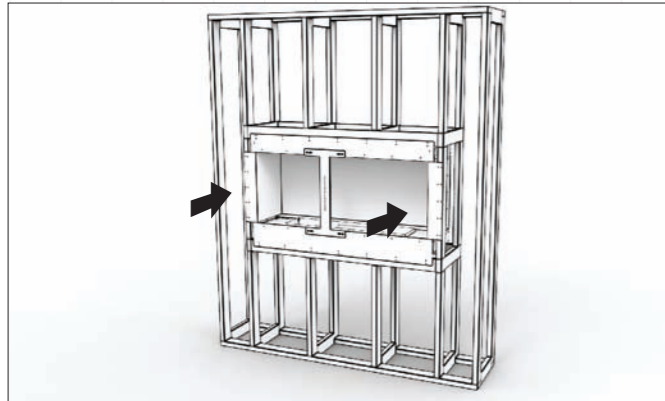
FLEX SINGLE SIDED FIREPLACE INDICATIVE INSTALL

GUIDE ONLY - MUST READ THE INSTRUCTIONS INCLUDED WITH THE MODEL

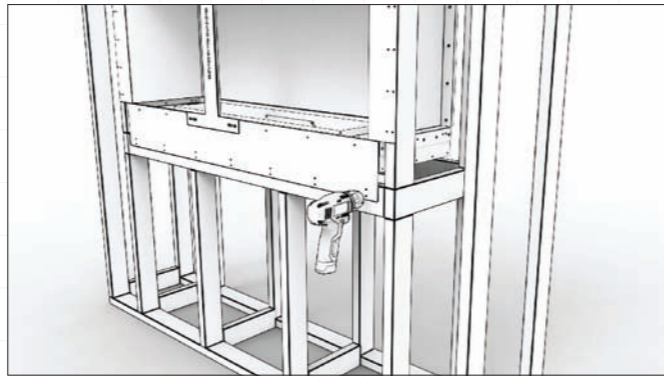
1. Construct the main wall framework. The base of the frame can be a solid bench/platform, which will assist in leveling up the appliance when in position.



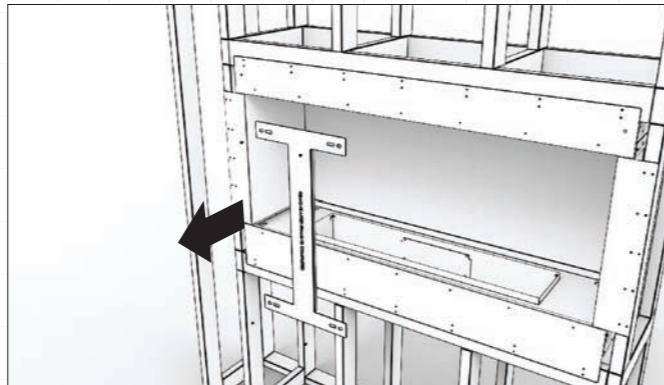
2. Slide the appliance inside the framing cavity (the base of the appliance can sit directly on top of the 2 x 4 framing material). The appliance is shipped with red stability bracket(s) installed on the open side(s) to keep the appliance square while in transport and during installation. Keep the bracket(s) on while framing up the setting to assist in minimizing movement of the appliance.



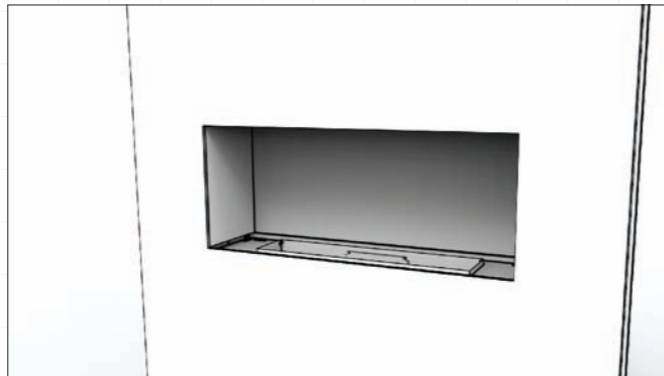
3. Secure the appliance to the framework with screws using the existing mounting holes on the appliance flanges. Make sure that the appliance is level before securing it in place.



4. Remove the red stability brackets.



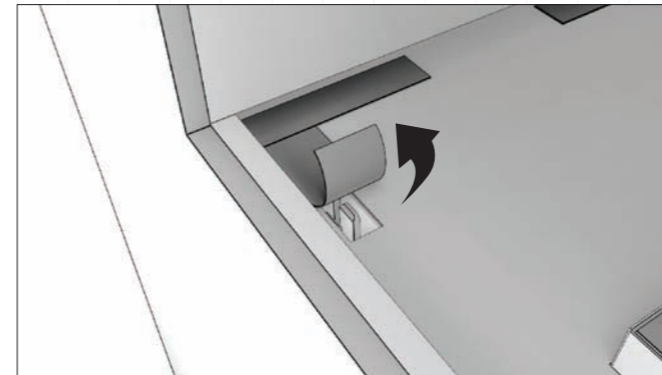
5. Complete the construction by finishing the wall paneling around the appliance. (See section on **FINISHING INSTRUCTIONS** and ensure that you fully understand where non combustible materials must be used.)



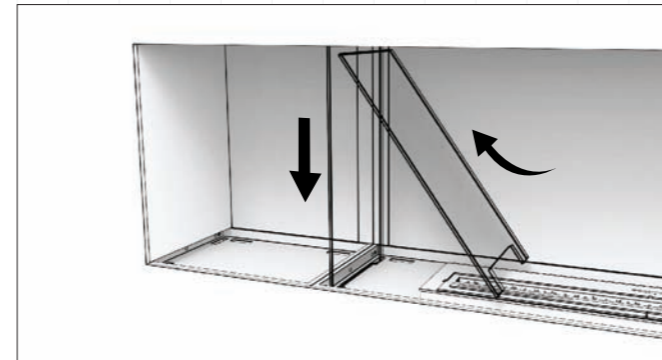
6. Place the burner into position.



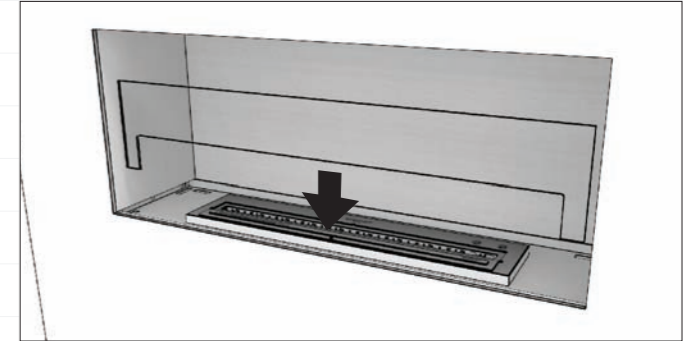
7. Remove the dust protective tape that covers the windscreen mounting slots.



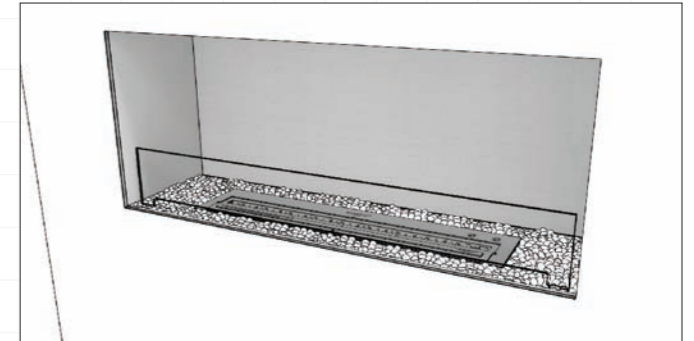
8. If your appliance includes a decorative box on the left / right or both, insert the internal glass panel/s by feeding the glass upwards into the slot then pushing down into the positioned clips.



9. Install the windscreen by inserting the two ends into the appropriate slots in the appliance. Use a small amount of pressure to push the windscreen in place until it bottoms out into the hidden glass clips.



10. Spread the black glass charcoal evenly around the appliance tray.



BUILT-IN

FLEX LEFT CORNER FIREPLACES



Model: FLEX68LC.BXL

Clean Burning
Fueled by clean burning e-NRG bioethanol

Toughened Safety Screen
Your Flex Fireplace features toughened glass to stabilise the flame in windy conditions and provide an additional layer of safety and comfort. The Integrated windscreen sits flush behind the frame.

Single Room Application
Left Corner fireplaces feature two open sides - view the flame from the front and from the left corner.

Global Compliance
All burners are UL Listed in accordance with MH46715/Subject1370 in the USA, Certified by BSI in accordance with EN16647, and comply with the ACCC Safety Mandate for Australia.

Decorative Side Box
When a decorative box is added, the panel between the standard fire and the decorative box is glass.


Luxurious Finish
Available in a timeless black finish, Flex Fireplaces come with stainless steel burners and black glass charcoal.

Built to Last a Lifetime
Zinc sealed steel construction powder coated with super hi-temp black paint prevents rusting so all fireplaces can be used both indoors or outdoors.

Decorative Steel Log Sets
EcoSmart Fire offers non-combustible logs as an optional, eye-catching accessory for models with the decorative side box. Made from stainless steel with a patina finish, they are available in different finishes.

Zero Clearance
Self-contained, zero clearance construction allows your Flex fireplace to be framed into wood or metal studs, providing installation freedom and flexibility for builders, architects, interior designers, landscapers and homeowners.

OPTIONAL ACCESSORIES



Decorative Steel Logs

LEFT CORNER FIREPLACES

FLEX18

Minimum Wall Length 635mm [25in]



18LC

FLEX60

Minimum Wall Length 1,730mm [68in]



60LC.BXL



60LC.BXR

FLEX86

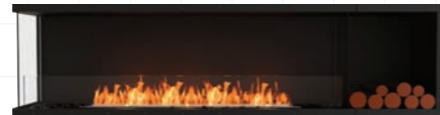
Minimum Wall Length 2,395mm [94in]



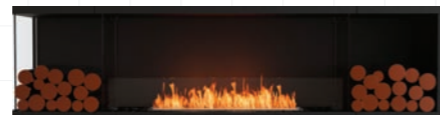
86LC



86LC.BXL



86LC.BXR



86LC.BX2

FLEX32

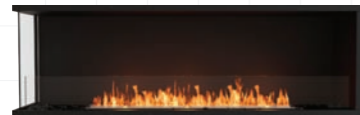
Minimum Wall Length 1,015 mm [40in]



32LC

FLEX68

Minimum Wall Length 1,935mm [76in]



68LC



68LC.BXL



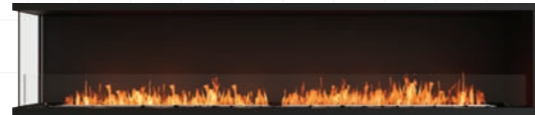
68LC.BXR



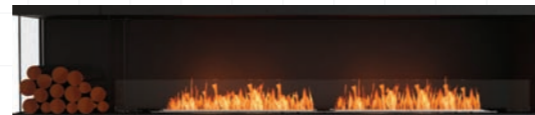
68LC.BX2

FLEX104

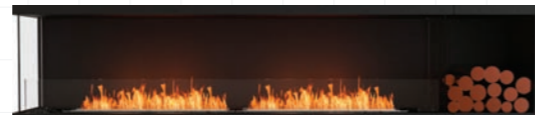
Minimum Wall Length 2,855mm [112in]



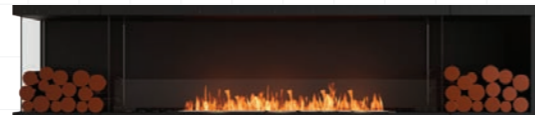
104LC



104LC.BXL



104LC.BXR



104LC.BX2

FLEX42

Minimum Wall Length 1,270mm [50in]



42LC

FLEX78

Minimum Wall Length 2,190mm [86in]



78LC

FLEX50

Minimum Wall Length 1,475mm [58in]



50LC



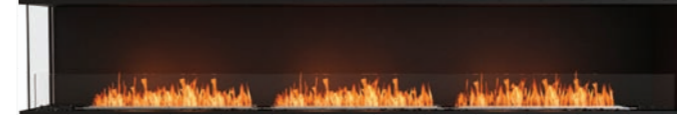
50LC.BXL



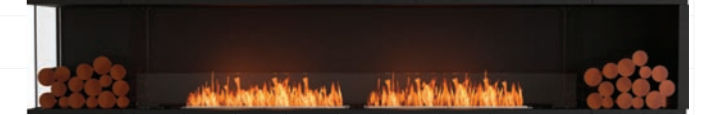
50LC.BXR

FLEX122

Minimum Wall Length 3,315mm [131in]



122LC



122LC.BX2



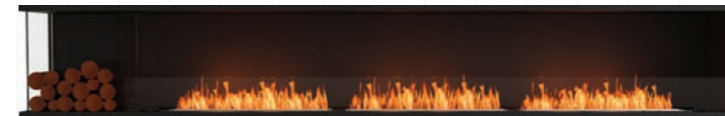
122LC.BXL



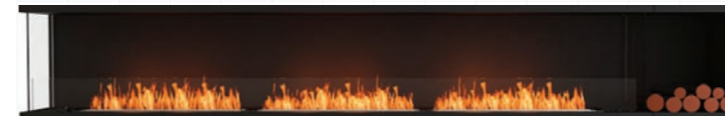
122LC.BXR

FLEX140

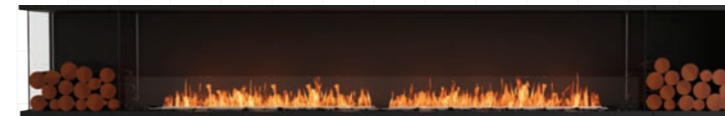
Minimum Wall Length 3,775mm [149in]



140LC.BXL



140LC.BXR



140LC.BX2

FLEX158

Minimum Wall Length 4,235mm [167in]



158LC



158LC.BX2

LEFT CORNER FIREPLACES

Application	Indoor & Outdoor
Materials	Mild Steel (Zinc Sealed), Toughened Glass, Stainless Steel & Glass Charcoal as Decorative Media
Colours	Black Firebox, Stainless Steel Burner/s
Fuel Type	e-NRG Bioethanol

FLEX18

ESF.1.FX.18LC

Weight	33kg [72.6lbs] (incl. burner/s, glass charcoal, glass)
Burner	AB3 x 1
Volume Capacity	2.5 Litres [0.7 Gallons]
Heats on Average (when used indoors)	Over 20 square metres [215 square feet]
Burn Time	8 - 11 hours (approx)
Minimum Room Size	40 cubic metres [1413 cubic feet] per fireplace.
Minimum Wall Length	635mm [25in]

FLEX32

ESF.1.FX.32LC

Weight	48.8kg [107.4lbs] (incl. burner/s, glass charcoal, glass)
Burner	XL500 x 1
Volume Capacity	5 Litres [1.3 Gallons]
Heats on Average (when used indoors)	Over 40 square metres [430.6 square feet]
Burn Time	10 - 13 hours (approx)
Minimum Room Size	80 cubic metres [2825 cubic feet] per fireplace.
Minimum Wall Length	1,015mm [40in]

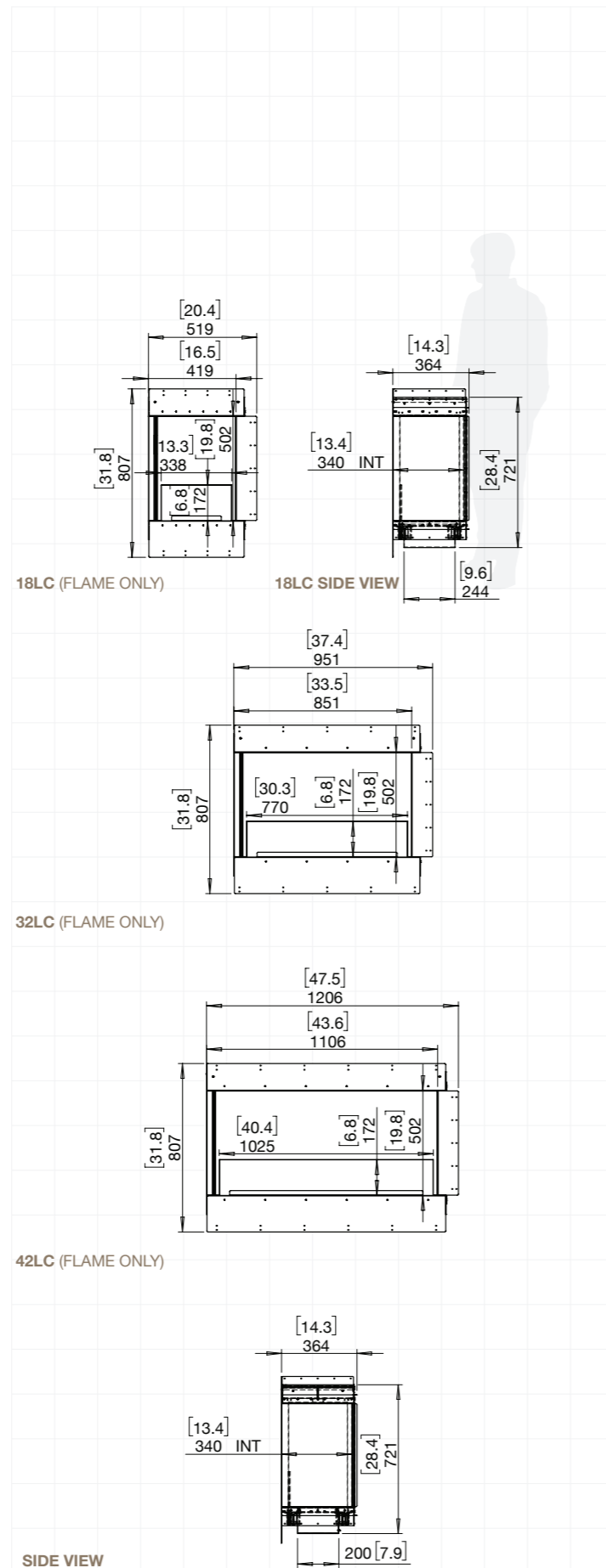
FLEX42

ESF.1.FX.42LC

Weight	63.3kg [139.3lbs] (incl. burner/s, glass charcoal, glass)
Burner	XL700 x 1
Volume Capacity	7 Litres [1.8 Gallons]
Heats on Average (when used indoors)	Over 50 square metres [538 square feet]
Burn Time	9 - 12 hours (approx)
Minimum Room Size	90 cubic metres [3178 cubic feet] per fireplace.
Minimum Wall Length	1,270mm [50in]

Physical model dimensions should be verified against cut out dimensions BEFORE installation begins to confirm tolerances align.

These values are indicative only and may vary depending on the model purchased, installation, and the seasonal resource used to manufacture e-NRG.



LEFT CORNER FIREPLACES

Application	Indoor & Outdoor
Materials	Mild Steel (Zinc Sealed), Toughened Glass, Stainless Steel & Glass Charcoal as Decorative Media
Colours	Black Firebox, Stainless Steel Burner/s
Fuel Type	e-NRG Bioethanol

FLEX50

ESF.1.FX.50LC

Weight	71.6kg [157.5lbs] (incl. burner/s, glass charcoal, glass)
Burner	XL900 x 1
Volume Capacity	9 Litres [2.4 Gallons]
Heats on Average (when used indoors)	Over 60 square metres [645 square feet]
Burn Time	8 - 13 hours (approx)
Minimum Room Size	110 cubic metres [3884 cubic feet] per fireplace.
Minimum Wall Length	1,475mm [58in]

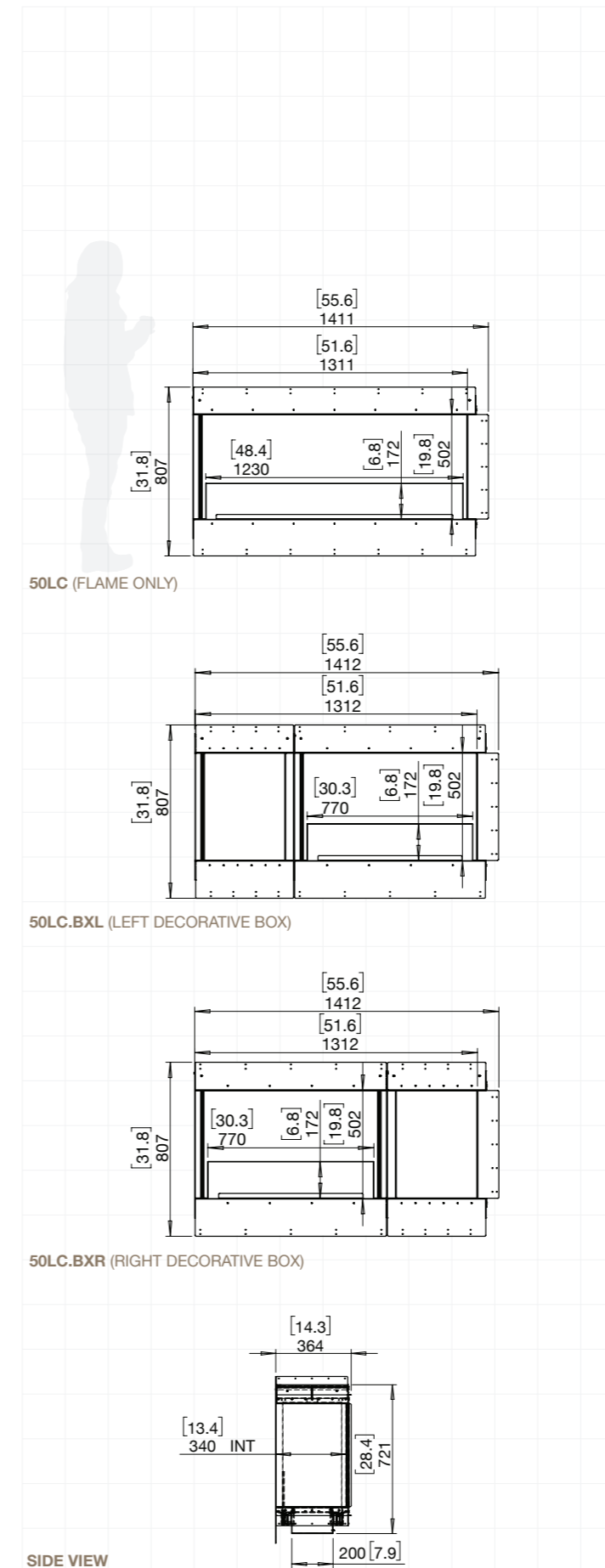
ESF.1.FX.50LC.BXL

ESF.1.FX.50LC.BXR

Weight	73.1kg [160.8lbs] (incl. burner/s, glass charcoal, glass)
Burner	XL500 x 1
Volume Capacity	5 Litres [1.3 Gallons]
Heats on Average (when used indoors)	Over 40 square metres [430.6 square feet]
Burn Time	10 - 13 hours (approx)
Minimum Room Size	80 cubic metres [2825 cubic feet] per fireplace.
Minimum Wall Length	1,475mm [58in]

Physical model dimensions should be verified against cut out dimensions BEFORE installation begins to confirm tolerances align.

These values are indicative only and may vary depending on the model purchased, installation, and the seasonal resource used to manufacture e-NRG.



LEFT CORNER FIREPLACES

Application	Indoor & Outdoor
Materials	Mild Steel (Zinc Sealed), Toughened Glass, Stainless Steel & Glass Charcoal as Decorative Media
Colours	Black Firebox, Stainless Steel Burner/s
Fuel Type	e-NRG Bioethanol

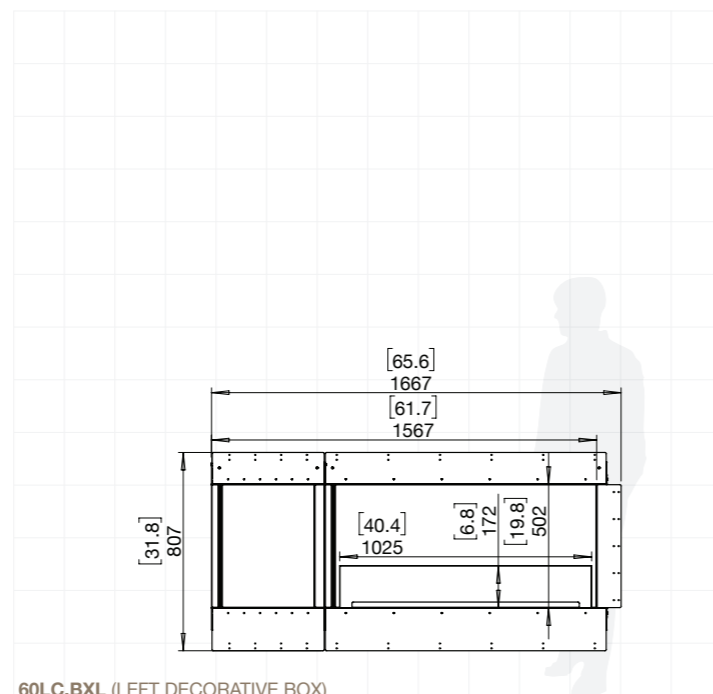
FLEX60

ESF.1.FX.60LC.BXL
ESF.1.FX.60LC.BXR

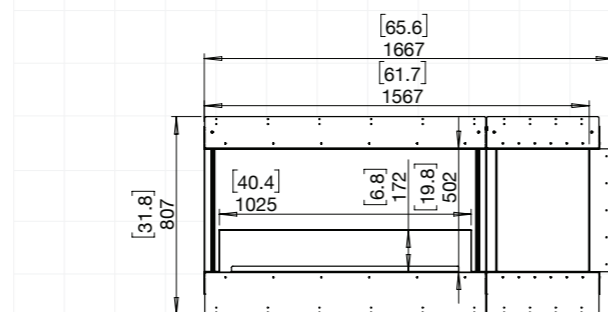
Weight	87.1kg [191.6lbs] (incl. burner/s, glass charcoal, glass)
Burner	XL700 x 1
Volume Capacity	7 Litres [1.8 Gallons]
Heats on Average (when used indoors)	Over 50 square metres [538 square feet]
Burn Time	9 - 12 hours (approx)
Minimum Room Size	90 cubic metres [3178 cubic feet] per fireplace.
Minimum Wall Length	1,730mm [68in]

Physical model dimensions should be verified against cut out dimensions BEFORE installation begins to confirm tolerances align.

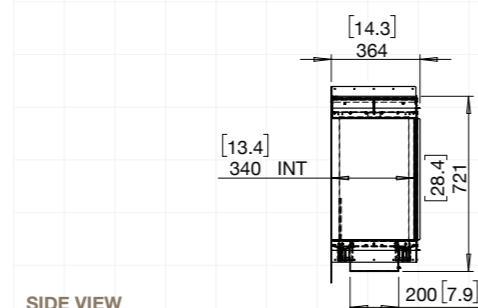
These values are indicative only and may vary depending on the model purchased, installation, and the seasonal resource used to manufacture e-NRG.



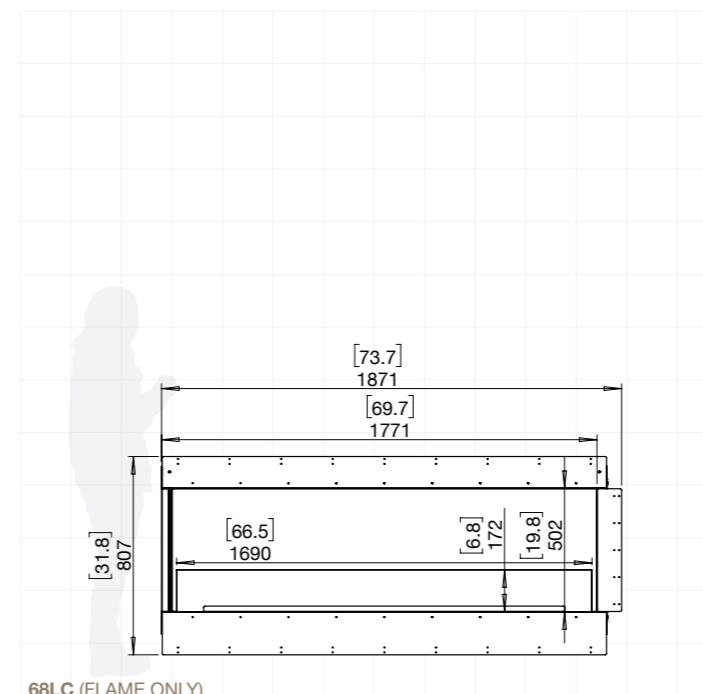
60LC.BXL (LEFT DECORATIVE BOX)



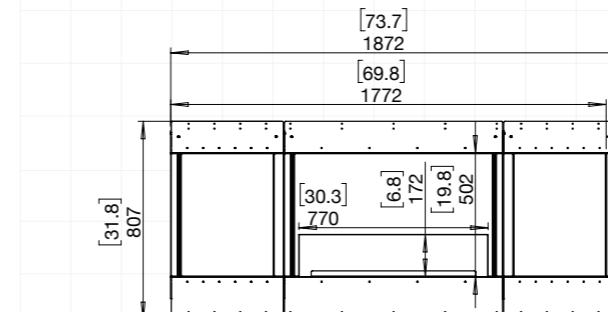
60LC.BXR (RIGHT DECORATIVE BOX)



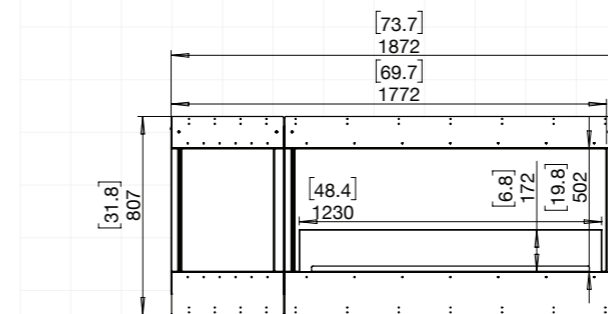
SIDE VIEW



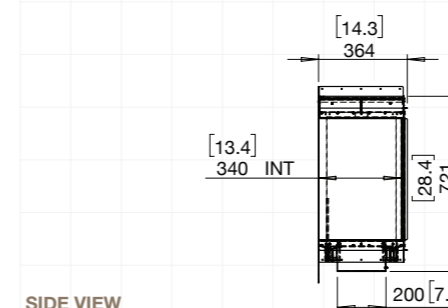
68LC (FLAME ONLY)



68LC.BX2 (LEFT & RIGHT DECORATIVE BOXES)



68LC.BXL (LEFT DECORATIVE BOX AS ILLUSTRATED)
68LC.BXR (RIGHT DECORATIVE BOX)



SIDE VIEW

LEFT CORNER FIREPLACES

Application	Indoor & Outdoor
Materials	Mild Steel (Zinc Sealed), Toughened Glass, Stainless Steel & Glass Charcoal as Decorative Media
Colours	Black Firebox, Stainless Steel Burner/s
Fuel Type	e-NRG Bioethanol

FLEX68

ESF.2.FX.68LC

Weight	100.3kg [220.7lbs] (incl. burner/s, glass charcoal, glass)
Burner	XL1200 x 1
Volume Capacity	10 Litres [2.6 Gallons] x 1
Heats on Average	Over 65 square metres [700 square feet]
Burn Time	9 - 14 hours (approx)
Minimum Room Size	115 cubic metres [4061 cubic feet] per fireplace.
Minimum Wall Length	1,935mm [76in]

ESF.1.FX.68LC.BX2

Weight	97kg [213.4lbs] (incl. burner/s, glass charcoal, glass)
Burner	XL500 x 1
Volume Capacity	5 Litres [1.3 Gallons]
Heats on Average	Over 40 square metres [430.6 square feet]
Burn Time	10 - 13 hours (approx)
Minimum Room Size	80 cubic metres [2825 cubic feet] per fireplace.
Minimum Wall Length	1,935mm [76in]

ESF.1.FX.68LC.BXL
ESF.1.FX.68LC.BXR

Weight	95.3kg [209.7lbs] (incl. burner/s, glass charcoal, glass)
Burner	XL900 x 1
Volume Capacity	9 Litres [2.4 Gallons]
Heats on Average	Over 60 square metres [645 square feet]
Burn Time	8 - 13 hours (approx)
Minimum Room Size	110 cubic metres [3884 cubic feet] per fireplace.
Minimum Wall Length	1,935mm [76in]

Physical model dimensions should be verified against cut out dimensions BEFORE installation begins to confirm tolerances align.

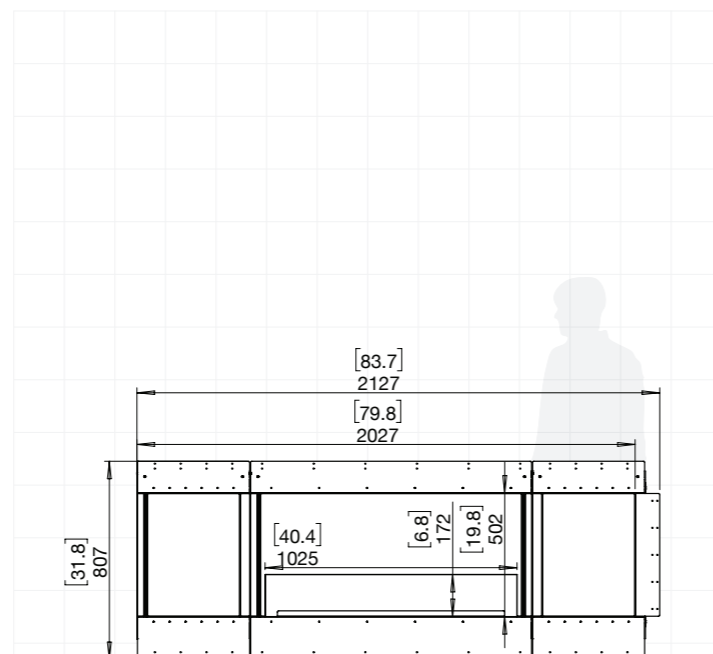
These values are indicative only and may vary depending on the model purchased, installation, and the seasonal resource used to manufacture e-NRG.

LEFT CORNER FIREPLACES

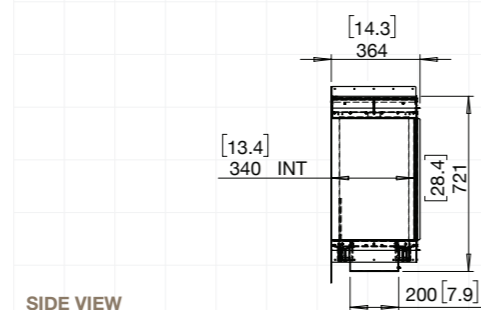
Application	Indoor & Outdoor
Materials	Mild Steel (Zinc Sealed), Toughened Glass, Stainless Steel & Glass Charcoal as Decorative Media
Colours	Black Firebox, Stainless Steel Burner/s
Fuel Type	e-NRG Bioethanol

FLEX78

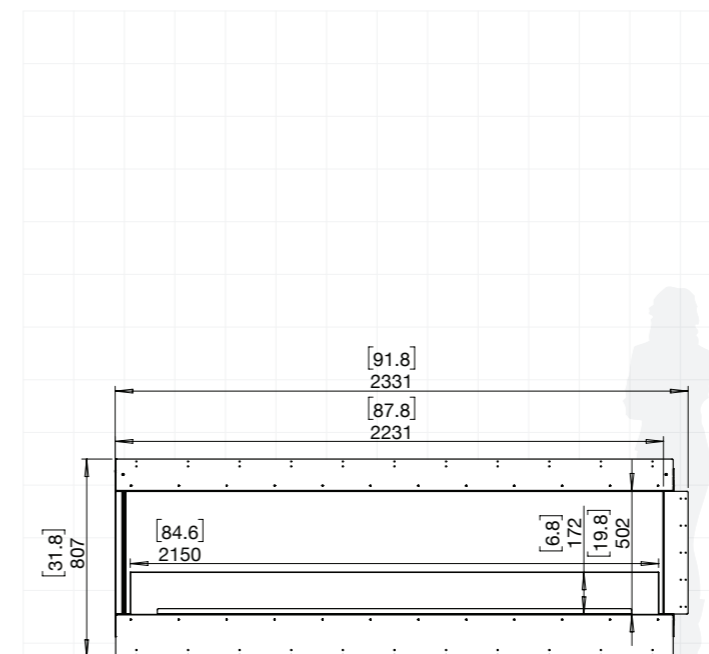
ESF.1.FX.78LC.BX2	
Weight	111kg [244.2lbs] (incl. burner/s, glass charcoal, glass)
Burner	XL700 x 1
Volume Capacity	7 Litres [1.8 Gallons]
Heats on Average (when used indoors)	Over 50 square metres [538 square feet]
Burn Time	9 - 12 hours (approx)
Minimum Room Size	90 cubic metres [3178 cubic feet] per fireplace.
Minimum Wall Length	2,190mm [86in]



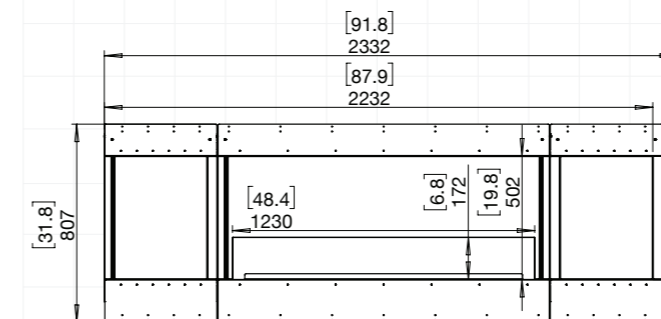
78LC.BX2 (LEFT & RIGHT DECORATIVE BOXES)



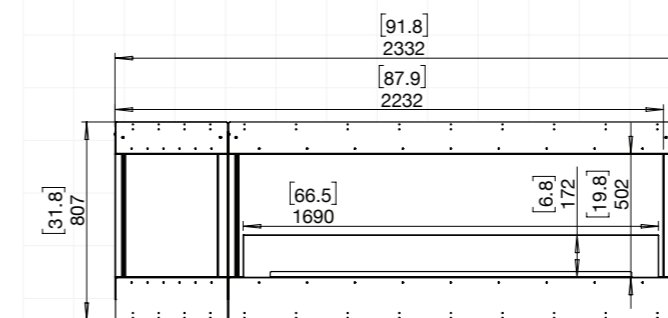
SIDE VIEW



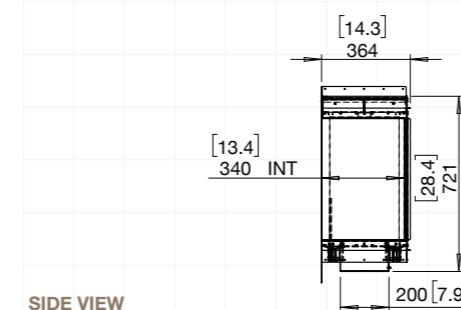
86LC (FLAME ONLY)



86LC.BX2 (LEFT & RIGHT DECORATIVE BOXES)



86LC.BXL (LEFT DECORATIVE BOX AS ILLUSTRATED)
86LC.BXR (RIGHT DECORATIVE BOX)



SIDE VIEW

LEFT CORNER FIREPLACES

Application	Indoor & Outdoor
Materials	Mild Steel (Zinc Sealed), Toughened Glass, Stainless Steel & Glass Charcoal as Decorative Media
Colours	Black Firebox, Stainless Steel Burner/s
Fuel Type	e-NRG Bioethanol

FLEX86

ESF.1.FX.86LC	
Weight	121.7kg [267.7lbs] (incl. burner/s, glass charcoal, glass)
Burner	XL900 x 2
Volume Capacity	9 Litres [2.4 Gallons] x 2
Heats on Average	Over 120 square metres [1290 square feet]
Burn Time	8 - 13 hours (approx)
Minimum Room Size	220 cubic metres [7768 cubic feet] per fireplace
Minimum Wall Length	2,395mm [94in]

ESF.1.FX.86LC.BX2	
Weight	119kg [261.8lbs] (incl. burner/s, glass charcoal, glass)
Burner	XL900 x 1
Volume Capacity	9 Litres [2.4 Gallons]
Heats on Average	Over 60 square metres [645 square feet]
Burn Time	8 - 13 hours (approx)
Minimum Room Size	110 cubic metres [3884 cubic feet] per fireplace
Minimum Wall Length	2,395mm [94in]

ESF.2.FX.86LC.BXL	
ESF.2.FX.86LC.BXR	
Weight	122.6kg [269.7lbs] (incl. burner/s, glass charcoal, glass)
Burner	XL1200 x 1
Volume Capacity	10 Litres [2.6 Gallons] x 1
Heats on Average	Over 65 square metres [700 square feet]
Burn Time	9 - 14 hours (approx)
Minimum Room Size	115 cubic metres [4061 cubic feet] per fireplace
Minimum Wall Length	2,395mm [94in]

Physical model dimensions should be verified against cut out dimensions BEFORE installation begins to confirm tolerances align.

These values are indicative only and may vary depending on the model purchased, installation, and the seasonal resource used to manufacture e-NRG.

LEFT CORNER FIREPLACES

Application	Indoor & Outdoor
Materials	Mild Steel (Zinc Sealed), Toughened Glass, Stainless Steel & Glass Charcoal as Decorative Media
Colours	Black Firebox, Stainless Steel Burner/s
Fuel Type	e-NRG Bioethanol

FLEX104

ESF.1.FX.104LC

Weight	149.5kg [328.9lbs] (incl. burner/s, glass charcoal, glass)
Burner	XL1200 x 2
Volume Capacity	10 Litres [2.6 Gallons] x 2
Heats on Average	Over 130 square metres [1400 square feet]
Burn Time	9 - 14 hours (approx)
Minimum Room Size	230 cubic metres [8122 cubic feet] per fireplace
Minimum Wall Length	2,855mm [112in]

ESF.2.FX.104LC.BX2

Weight	146.9kg [323.2lbs] (incl. burner/s, glass charcoal, glass)
Burner	XL1200 x 1
Volume Capacity	10 Litres [2.6 Gallons] x 1
Heats on Average	Over 65 square metres [700 square feet]
Burn Time	9 - 14 hours (approx)
Minimum Room Size	115 cubic metres [4061 cubic feet] per fireplace
Minimum Wall Length	2,855mm [112in]

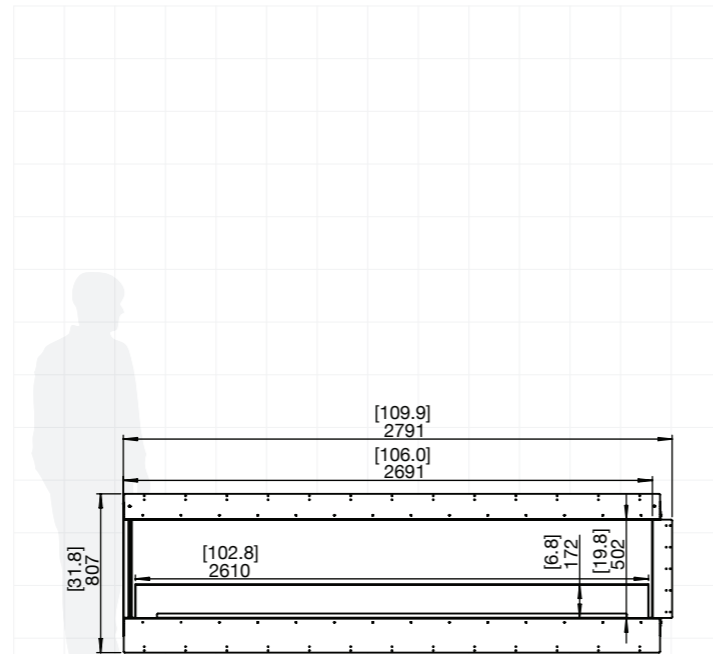
ESF.1.FX.104LC.BXL

ESF.1.FX.104LC.BXR

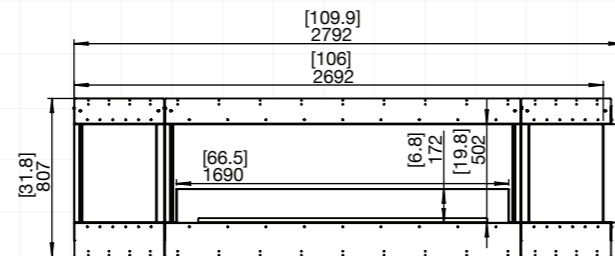
Weight	145.4kg [319.9lbs] (incl. burner/s, glass charcoal, glass)
Burner	XL900 x 2
Volume Capacity	9 Litres [2.4 Gallons] x 2
Heats on Average	Over 120 square metres [1290 square feet]
Burn Time	8 - 13 hours (approx)
Minimum Room Size	220 cubic metres [7768 cubic feet] per fireplace
Minimum Wall Length	2,855mm [112in]

Physical model dimensions should be verified against cut out dimensions BEFORE installation begins to confirm tolerances align.

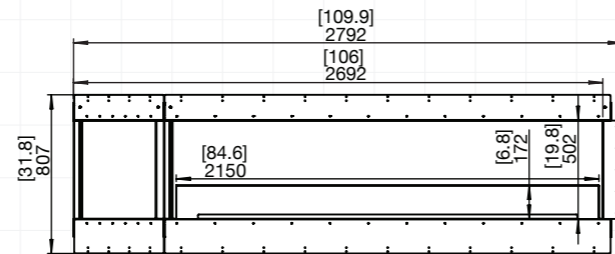
These values are indicative only and may vary depending on the model purchased, installation, and the seasonal resource used to manufacture e-NRG.



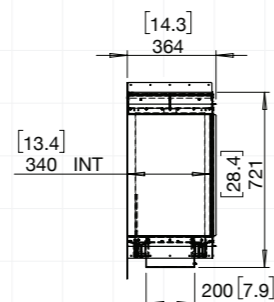
104LC (FLAME ONLY)



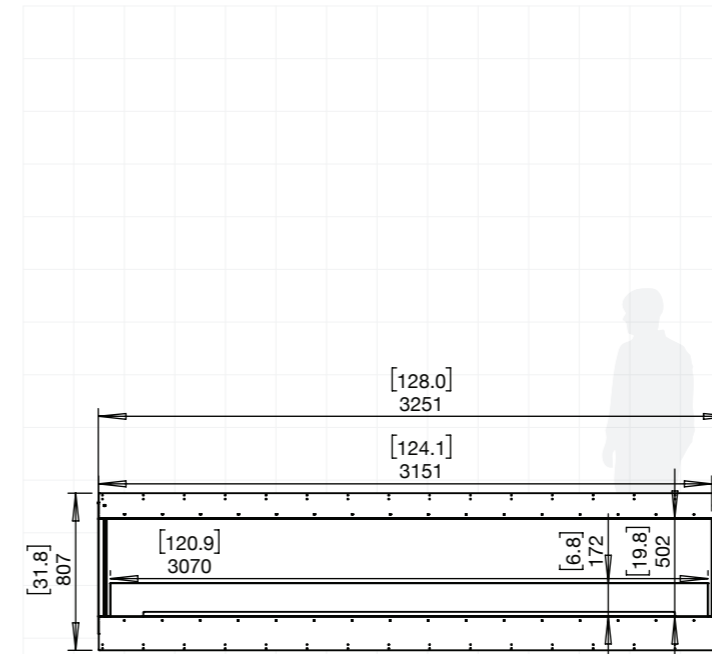
104LC.BX2 (LEFT & RIGHT DECORATIVE BOXES)



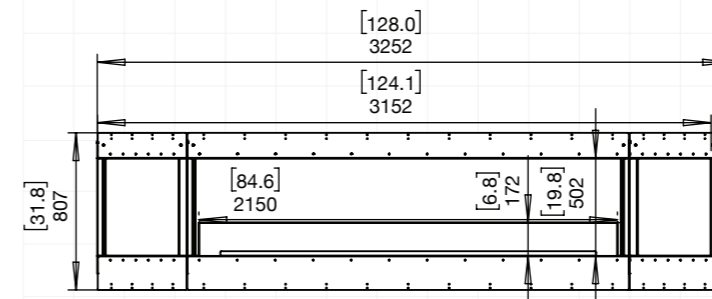
104LC.BXL (LEFT DECORATIVE BOX AS ILLUSTRATED)
104LC.BXR (RIGHT DECORATIVE BOX)



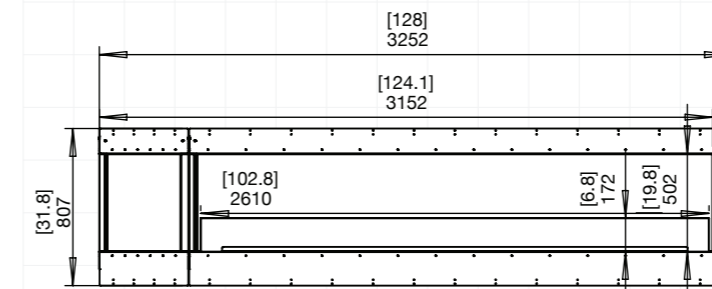
SIDE VIEW



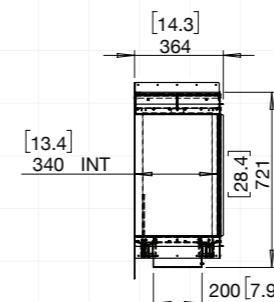
122LC (FLAME ONLY)



122LC.BX2 (LEFT & RIGHT DECORATIVE BOXES)



122LC.BXL (LEFT DECORATIVE BOX AS ILLUSTRATED)
122LC.BXR (RIGHT DECORATIVE BOX)



SIDE VIEW

LEFT CORNER FIREPLACES

Application	Indoor & Outdoor
Materials	Mild Steel (Zinc Sealed), Toughened Glass, Stainless Steel & Glass Charcoal as Decorative Media
Colours	Black Firebox, Stainless Steel Burner/s
Fuel Type	e-NRG Bioethanol

FLEX122

ESF.1.FX.122LC

Weight	171.7kg [377.7lbs] (incl. burner/s, glass charcoal, glass)
Burner	XL900 x 3
Volume Capacity	9 Litres [2.4 Gallons] x 3
Heats on Average	Over 180 square metres [1935 square feet]
Burn Time	8 - 13 hours (approx)
Minimum Room Size	330 cubic metres [11652 cubic feet] per fireplace
Minimum Wall Length	3,315mm [131in]

ESF.1.FX.122LC.BX2

Weight	169.1kg [372lbs] (incl. burner/s, glass charcoal, glass)
Burner	XL900 x 2
Volume Capacity	9 Litres [2.4 Gallons] x 2
Heats on Average	Over 120 square metres [1290 square feet]
Burn Time	8 - 13 hours (approx)
Minimum Room Size	220 cubic metres [7768 cubic feet] per fireplace
Minimum Wall Length	3,315mm [131in]

ESF.1.FX.122LC.BXL

ESF.1.FX.122LC.BXR

Weight	173.4kg [381.5lbs] (incl. burner/s, glass charcoal, glass)
Burner	XL1200 x 2
Volume Capacity	10 Litres [2.6 Gallons] x 2
Heats on Average	Over 130 square metres [1400 square feet]
Burn Time	9 - 14 hours (approx)
Minimum Room Size	230 cubic metres [8122 cubic feet] per fireplace
Minimum Wall Length	3,315mm [131in]

Physical model dimensions should be verified against cut out dimensions BEFORE installation begins to confirm tolerances align.

These values are indicative only and may vary depending on the model purchased, installation, and the seasonal resource used to manufacture e-NRG.

LEFT CORNER FIREPLACES

Application	Indoor & Outdoor
Materials	Mild Steel (Zinc Sealed), Toughened Glass, Stainless Steel & Glass Charcoal as Decorative Media
Colours	Black Firebox, Stainless Steel Burner/s
Fuel Type	e-NRG Bioethanol

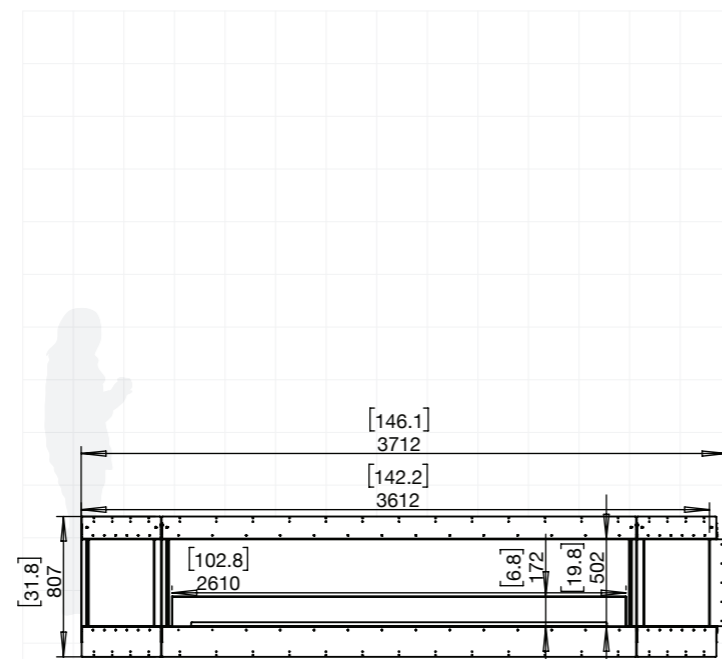
FLEX140

ESF.1.FX.140LC.BX2	
Weight	197.1kg [433.6lbs] (incl. burner/s, glass charcoal, glass)
Burner	XL1200 x 2
Volume Capacity	10 Litres [2.6 Gallons] x 2
Heats on Average	Over 130 square metres [1400 square feet]
Burn Time	9 - 14 hours (approx)
Minimum Room Size	230 cubic metres [8122 cubic feet] per fireplace
Minimum Wall Length	3,775mm [149in]

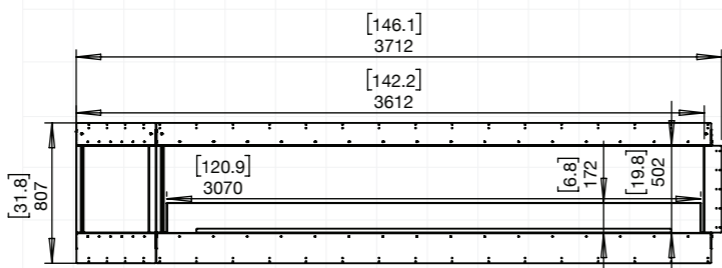
ESF.1.FX.140LC.BXL	
ESF.1.FX.140LC.BXR	
Weight	195.4kg [429.9lbs] (incl. burner/s, glass charcoal, glass)
Burner	XL900 x 3
Volume Capacity	9 Litres [2.4 Gallons] x 3
Heats on Average	Over 180 square metres [1935 square feet]
Burn Time	8 - 13 hours (approx)
Minimum Room Size	330 cubic metres [11652 cubic feet] per fireplace
Minimum Wall Length	3,775mm [149in]

Physical model dimensions should be verified against cut out dimensions BEFORE installation begins to confirm tolerances align.

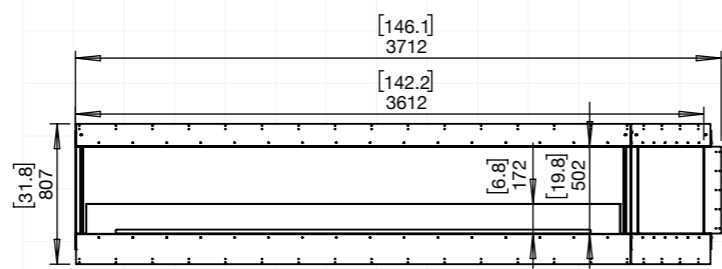
These values are indicative only and may vary depending on the model purchased, installation, and the seasonal resource used to manufacture e-NRG.



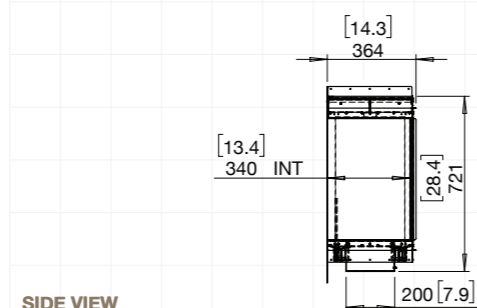
140LC.BX2 (LEFT & RIGHT DECORATIVE BOXES)



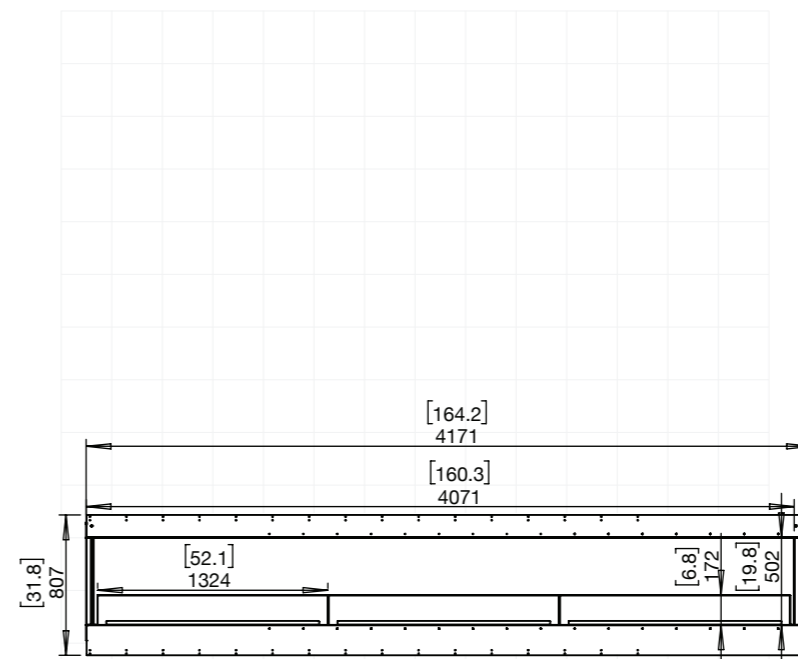
140LC.BXL (LEFT DECORATIVE BOX)



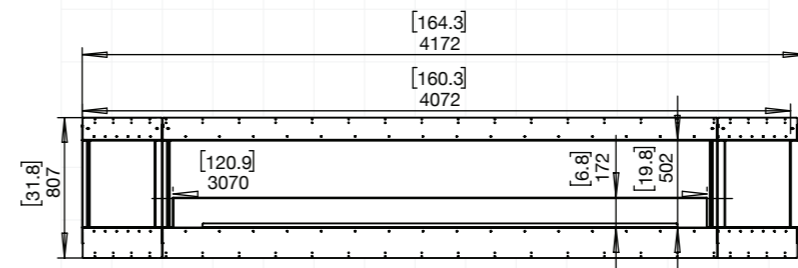
140LC.BXR (RIGHT DECORATIVE BOX)



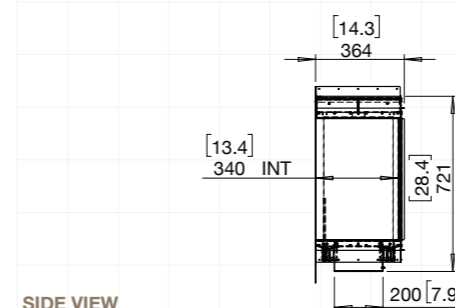
SIDE VIEW



158LC (FLAME ONLY)



158LC.BX2 (LEFT & RIGHT DECORATIVE BOXES)



SIDE VIEW

LEFT CORNER FIREPLACES

Application	Indoor & Outdoor
Materials	Mild Steel (Zinc Sealed), Toughened Glass, Stainless Steel & Glass Charcoal as Decorative Media
Colours	Black Firebox, Stainless Steel Burner/s
Fuel Type	e-NRG Bioethanol

FLEX158

ESF.1.FX.158LC	
Weight	225.5kg [496.1lbs] (incl. burner/s, glass charcoal, glass)
Burner	XL1200 x 3
Volume Capacity	10 Litres [2.6 Gallons] x 3
Heats on Average	Over 195 square metres [2100 square feet]
Burn Time	9 - 14 hours (approx)
Minimum Room Size	345 cubic metres [12183 cubic feet] per fireplace
Minimum Wall Length	4,235mm [167in]

ESF.1.FX.158LC.BX2	
Weight	219.1kg [482lbs] (incl. burner/s, glass charcoal, glass)
Burner	XL900 x 3
Volume Capacity	9 Litres [2.4 Gallons] x 3
Heats on Average	Over 180 square metres [1935 square feet]
Burn Time	8 - 13 hours (approx)
Minimum Room Size	330 cubic metres [11652 cubic feet] per fireplace
Minimum Wall Length	4,235mm [167in]

Physical model dimensions should be verified against cut out dimensions BEFORE installation begins to confirm tolerances align.

These values are indicative only and may vary depending on the model purchased, installation, and the seasonal resource used to manufacture e-NRG.

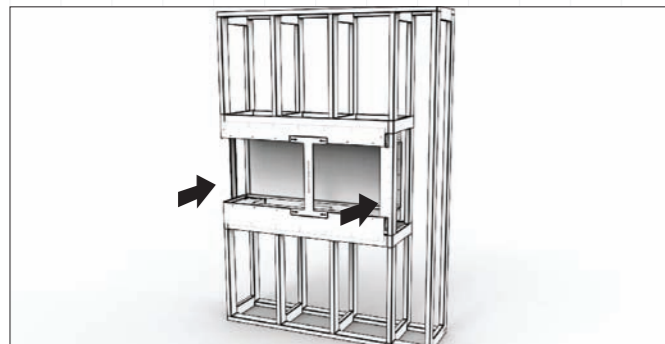
FLEX LEFT CORNER FIREPLACE INDICATIVE INSTALL

GUIDE ONLY - MUST READ THE INSTRUCTIONS INCLUDED WITH THE MODEL

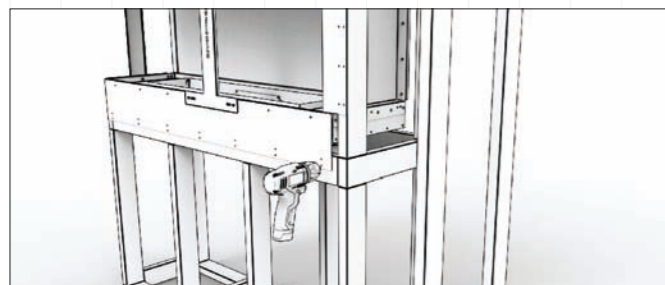
1. Construct a main wall framework. The base of the frame can be a solid bench/platform, which will assist in leveling up the appliance when in position.



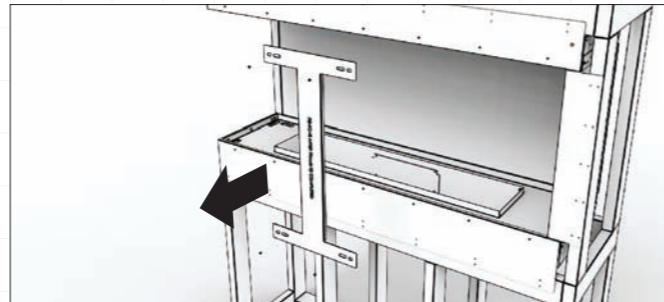
2. Slide the appliance inside the framing cavity (the base of the appliance can sit directly on top of the 2 x 4 framing material). The appliance is shipped with red stability bracket(s) installed on the open side(s) to keep the appliance square while in transport and during installation. Keep the bracket(s) on while framing up the setting to assist in minimising movement of the appliance. Align the top corner flange extension panel with the threaded holes on top shelf and screw into place with the included screws



3. Secure the appliance to the framework using the existing mounting holes on the appliance flanges. Make sure that the appliance is level before securing it in place.



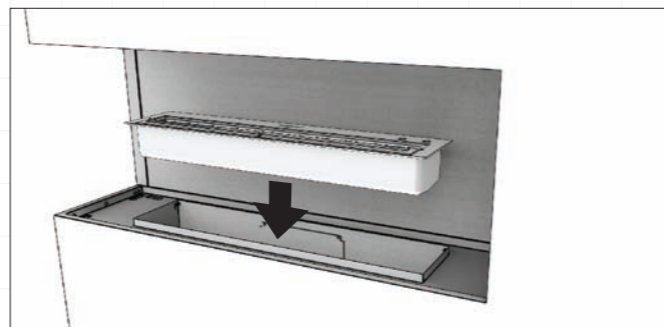
4. Remove the red safety bracket(s).



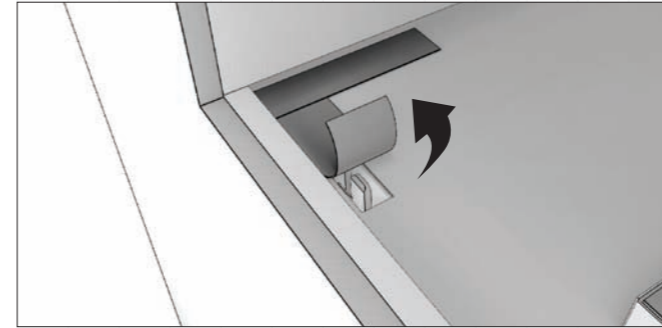
5. Complete the construction by finishing the wall paneling around the appliance. (See section on **FINISHING INSTRUCTIONS** and ensure that you fully understand where non combustible materials must be used.)



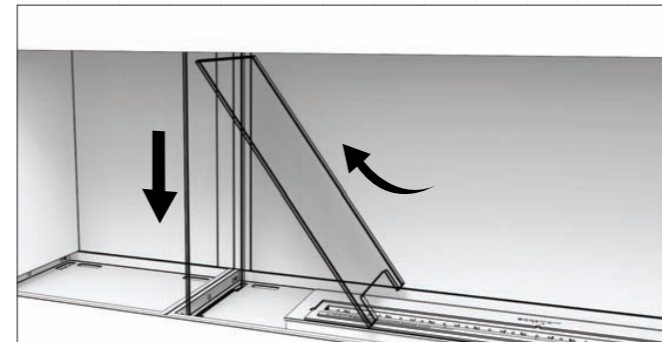
6. Place the burner into position.



7. Remove the dust protective tape that covers the windscreen mounting slots.



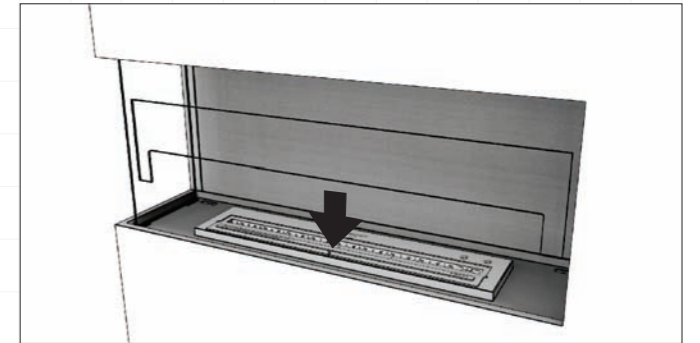
8. If your appliance includes a decorative box on the left / right or both, insert the internal glass panel by feeding the glass upwards into the slot then pushing down into the positioned clips.



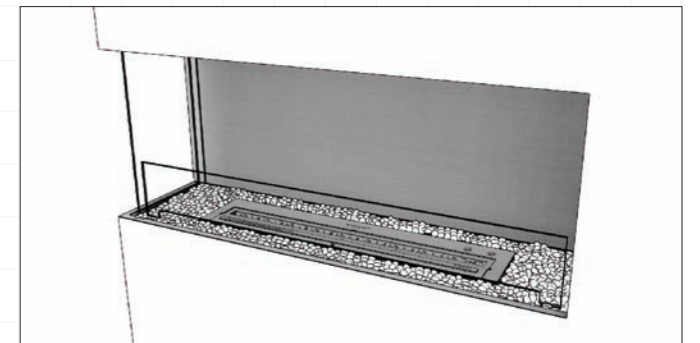
9. Insert the full height glass panel into one of the open end side by inserting the glass into the opening at the top of the appliance, and lowering it into the slots in the base until it bottoms out into place.



10. Install the windscreen by inserting the glass ends into the slots. Use a small amount of pressure to push the windscreen in place until it bottoms out into the hidden glass clips.



11. Spread the black glass charcoal evenly around the appliance tray.



BUILT-IN

FLEX RIGHT CORNER FIREPLACES



Model: FLEX86RC

Clean Burning
Fueled by clean burning e-NRG bioethanol

Toughened Safety Screen
Your Flex Fireplace features toughened glass to stabilise the flame in windy conditions and provide an additional layer of safety and comfort. The integrated windscreen sits flush behind the frame.

Single Room Application
Right Corner fireplaces feature two open sides - view the flame from the front and from the right corner.

Global Compliance
All burners are UL Listed in accordance with MH46715/Subject1370 in the USA, Certified by BSI in accordance with EN16647, and comply with the ACCC Safety Mandate for Australia.

Decorative Side Box
When a decorative box is added, the panel between the standard fire and the decorative box is glass.

Luxurious Finish
Available in a timeless black finish, Flex Fireplaces come with stainless steel burners and black glass charcoal.

Built to Last a Lifetime
Zinc sealed steel construction powder coated with super hi-temp black paint prevents rusting so all fireplaces can be used both indoors or outdoors.

Decorative Steel Log Sets
EcoSmart Fire offers non-combustible logs as an optional, eye-catching accessory for models with the decorative side box. Made from stainless steel with a patina finish, they are available in different finishes.

Zero Clearance
Self-contained, zero clearance construction allows your Flex fireplace to be framed into wood or metal studs, providing installation freedom and flexibility for builders, architects, interior designers, landscapers and homeowners.

OPTIONAL ACCESSORIES



Decorative Steel Logs

RIGHT CORNER FIREPLACES

FLEX18
Minimum Wall Length 635mm [25in]



18RC

FLEX32
Minimum Wall Length 1,015 mm [40in]



32RC

FLEX42
Minimum Wall Length 1,270mm [50in]



42RC

FLEX50
Minimum Wall Length 1,475mm [58in]



50RC



50RC.BXL



50RC.BXR

FLEX60
Minimum Wall Length 1,730mm [68in]



60RC.BXL



60RC.BXR

FLEX68
Minimum Wall Length 1,935mm [76in]



68RC



68RC.BXL



68RC.BXR



68RC.BX2

FLEX78
Minimum Wall Length 2,190mm [86in]

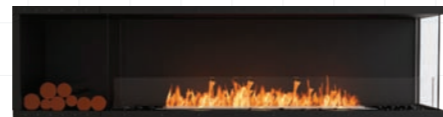


78RC

FLEX86
Minimum Wall Length 2,395mm [94in]



86RC



86RC.BXL

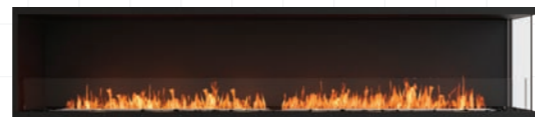


86RC.BXR

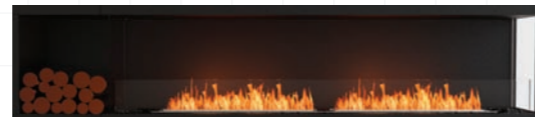


86RC.BX2

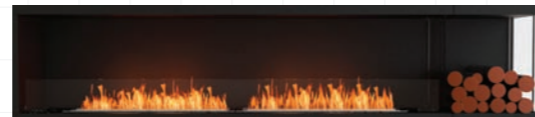
FLEX104
Minimum Wall Length 2,855mm [112in]



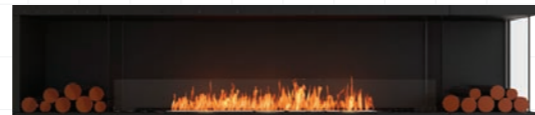
104RC



104RC.BXL



104RC.BXR



104RC.BX2

FLEX122
Minimum Wall Length 3,315mm [131in]



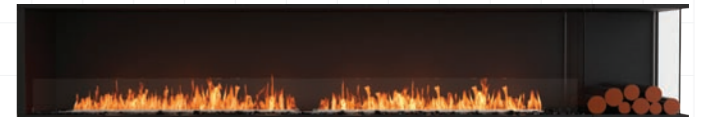
122RC



122RC.BXL



122RC.BX2



122RC.BXR

FLEX140
Minimum Wall Length 3,775mm [149in]



140RC.BXL



140RC.BXR



140RC.BX2

FLEX158
Minimum Wall Length 4,235mm [167in]



158RC



158RC.BX2

RIGHT CORNER FIREPLACES

Application	Indoor & Outdoor
Materials	Mild Steel (Zinc Sealed), Toughened Glass, Stainless Steel & Glass Charcoal as Decorative Media
Colours	Black Firebox, Stainless Steel Burner/s
Fuel Type	e-NRG Bioethanol

FLEX18

ESF.1.FX.18RC

Weight	33kg [72.6lbs] (incl. burner/s, glass charcoal, glass)
Burner	AB3 x 1
Volume Capacity	2.5 Litres [0.7 Gallons]
Heats on Average (when used indoors)	Over 20 square metres [215 square feet]
Burn Time	8 - 11 hours (approx)
Minimum Room Size	40 cubic metres [1413 cubic feet] per fireplace.
Minimum Wall Length	635mm [25in]

FLEX32

ESF.1.FX.32RC

Weight	48.8kg [107.4lbs] (incl. burner/s, glass charcoal, glass)
Burner	XL500 x 1
Volume Capacity	5 Litres [1.3 Gallons]
Heats on Average (when used indoors)	Over 40 square metres [430.6 square feet]
Burn Time	10 - 13 hours (approx)
Minimum Room Size	80 cubic metres [2825 cubic feet] per fireplace.
Minimum Wall Length	1,015mm [40in]

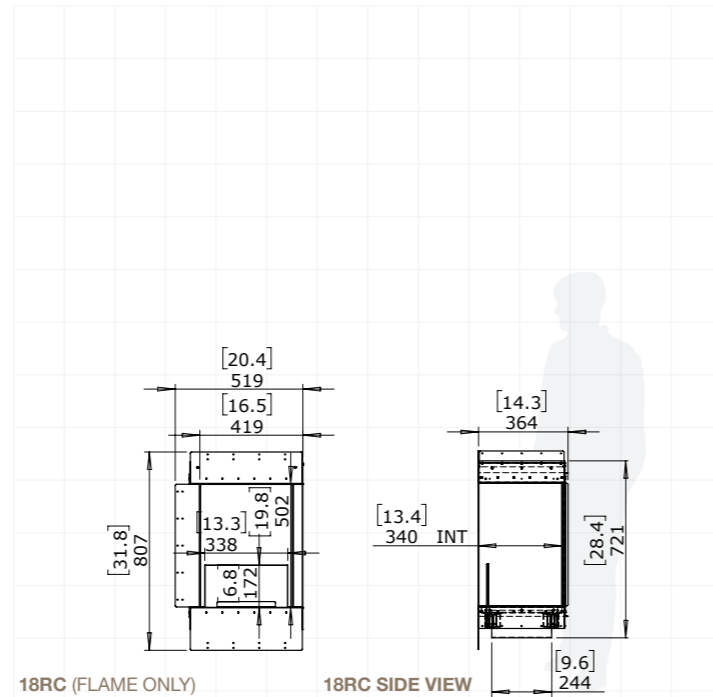
FLEX42

ESF.1.FX.42RC

Weight	63.3kg [139.3lbs] (incl. burner/s, glass charcoal, glass)
Burner	XL700 x 1
Volume Capacity	7 Litres [1.8 Gallons]
Heats on Average (when used indoors)	Over 50 square metres [538 square feet]
Burn Time	9 - 12 hours (approx)
Minimum Room Size	90 cubic metres [3178 cubic feet] per fireplace.
Minimum Wall Length	1,270mm [50in]

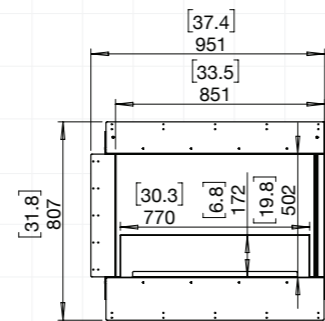
Physical model dimensions should be verified against cut out dimensions BEFORE installation begins to confirm tolerances align.

These values are indicative only and may vary depending on the model purchased, installation, and the seasonal resource used to manufacture e-NRG.

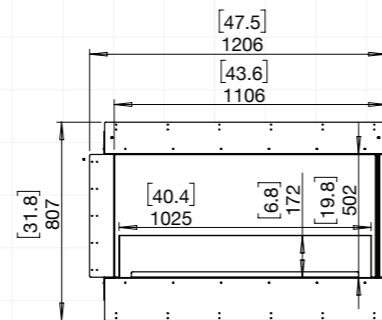


18RC (FLAME ONLY)

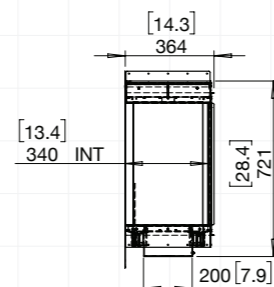
18RC SIDE VIEW



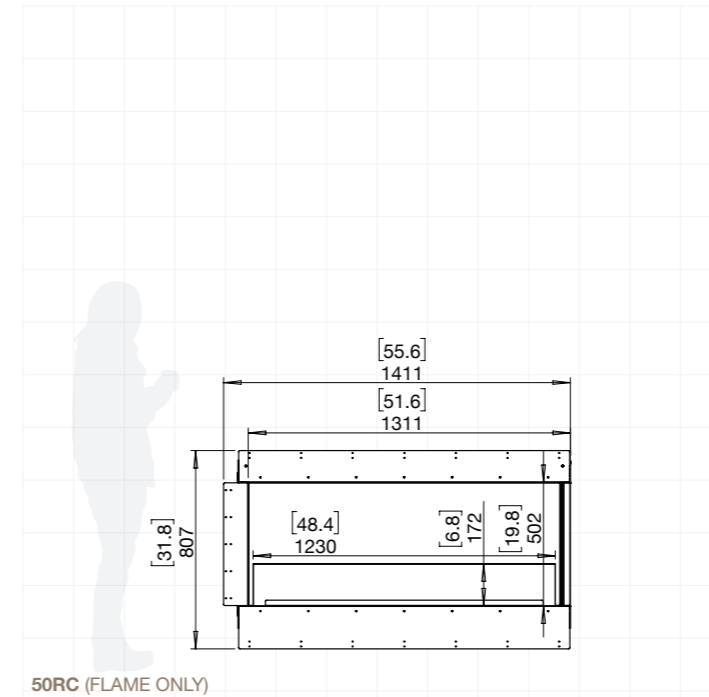
32RC (FLAME ONLY)



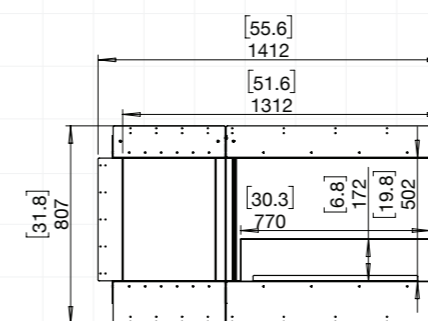
42RC (FLAME ONLY)



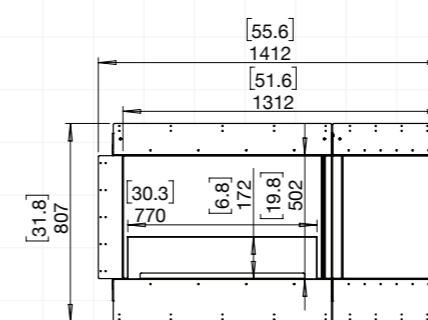
SIDE VIEW



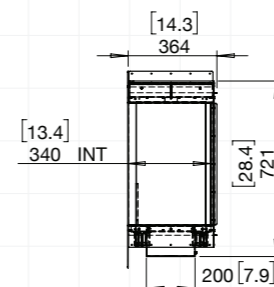
50RC (FLAME ONLY)



50RC.BXL (LEFT DECORATIVE BOX)



50RC.BXR (RIGHT DECORATIVE BOX)



SIDE VIEW

RIGHT CORNER FIREPLACES

Application	Indoor & Outdoor
Materials	Mild Steel (Zinc Sealed), Toughened Glass, Stainless Steel & Glass Charcoal as Decorative Media
Colours	Black Firebox, Stainless Steel Burner/s
Fuel Type	e-NRG Bioethanol

FLEX50

ESF.1.FX.50RC

Weight	71.6kg [157.5lbs] (incl. burner/s, glass charcoal, glass)
Burner	XL900 x 1
Volume Capacity	9 Litres [2.4 Gallons]
Heats on Average (when used indoors)	Over 60 square metres [645 square feet]
Burn Time	8 - 13 hours (approx)
Minimum Room Size	110 cubic metres [3884 cubic feet] per fireplace.
Minimum Wall Length	1,475mm [58in]

ESF.1.FX.50RC.BXL ESF.1.FX.50RC.BXR

Weight	73.1kg [160.8lbs] (incl. burner/s, glass charcoal, glass)
Burner	XL500 x 1
Volume Capacity	5 Litres [1.3 Gallons]
Heats on Average (when used indoors)	Over 40 square metres [430.6 square feet]
Burn Time	10 - 13 hours (approx)
Minimum Room Size	80 cubic metres [2825 cubic feet] per fireplace.
Minimum Wall Length	1,475mm [58in]

Physical model dimensions should be verified against cut out dimensions BEFORE installation begins to confirm tolerances align.

These values are indicative only and may vary depending on the model purchased, installation, and the seasonal resource used to manufacture e-NRG.

RIGHT CORNER FIREPLACES

Application	Indoor & Outdoor
Materials	Mild Steel (Zinc Sealed), Toughened Glass, Stainless Steel & Glass Charcoal as Decorative Media
Colours	Black Firebox, Stainless Steel Burner/s
Fuel Type	e-NRG Bioethanol

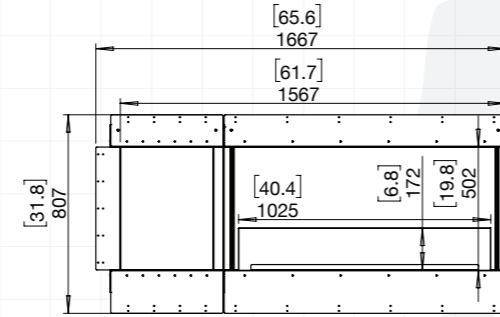
FLEX60

ESF.1.FX.60RC.BXL
ESF.1.FX.60RC.BXR

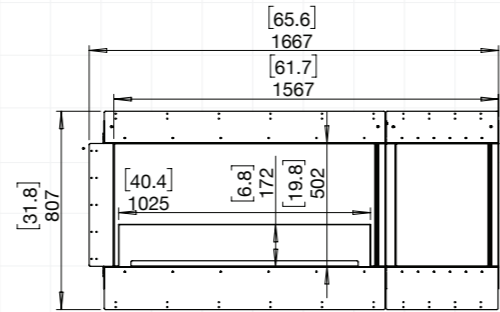
Weight	87.1kg [191.6lbs] (incl. burner/s, glass charcoal, glass)
Burner	XL700 x 1
Volume Capacity	7 Litres [1.8 Gallons]
Heats on Average (when used indoors)	Over 50 square metres [538 square feet]
Burn Time	9 - 12 hours (approx)
Minimum Room Size	90 cubic metres [3178 cubic feet] per fireplace.
Minimum Wall Length	1,730mm [68in]

Physical model dimensions should be verified against cut out dimensions BEFORE installation begins to confirm tolerances align.

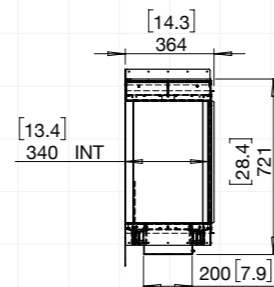
These values are indicative only and may vary depending on the model purchased, installation, and the seasonal resource used to manufacture e-NRG.



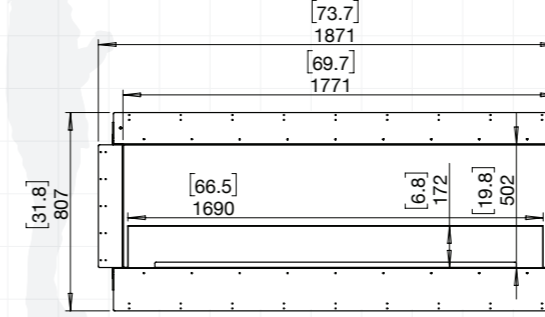
60RC.BXL (LEFT DECORATIVE BOX)



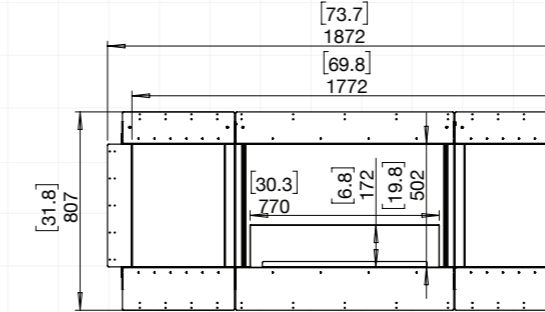
60RC.BXR (RIGHT DECORATIVE BOX)



SIDE VIEW



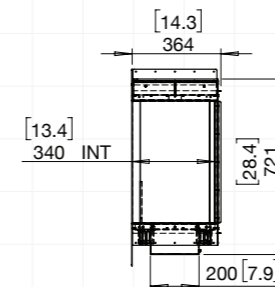
68RC (FLAME ONLY)



68RC.BX2 (LEFT & RIGHT DECORATIVE BOXES)



68RC.BXL (LEFT DECORATIVE BOX AS ILLUSTRATED)
68RC.BXR (RIGHT DECORATIVE BOX)



SIDE VIEW

RIGHT CORNER FIREPLACES

Application	Indoor & Outdoor
Materials	Mild Steel (Zinc Sealed), Toughened Glass, Stainless Steel & Glass Charcoal as Decorative Media
Colours	Black Firebox, Stainless Steel Burner/s
Fuel Type	e-NRG Bioethanol

FLEX68

ESF.2.FX.68RC

Weight	100.3kg [220.7lbs] (incl. burner/s, glass charcoal, glass)
Burner	XL1200 x 1
Volume Capacity	10 Litres [2.6 Gallons] x 1
Heats on Average	Over 65 square metres [700 square feet]
Burn Time	9 - 14 hours (approx)
Minimum Room Size	115 cubic metres [4061 cubic feet] per fireplace.
Minimum Wall Length	1,935mm [76in]

ESF.1.FX.68RC.BX2

Weight	97.0kg [213.4lbs] (incl. burner/s, glass charcoal, glass)
Burner	XL500 x 1
Volume Capacity	5 Litres [1.3 Gallons]
Heats on Average	Over 40 square metres [430.6 square feet]
Burn Time	10 - 13 hours (approx)
Minimum Room Size	80 cubic metres [2825 cubic feet] per fireplace.
Minimum Wall Length	1,935mm [76in]

ESF.1.FX.68RC.BXL
ESF.1.FX.68RC.BXR

Weight	95.3kg [209.7lbs] (incl. burner/s, glass charcoal, glass)
Burner	XL900 x 1
Volume Capacity	9 Litres [2.4 Gallons]
Heats on Average	Over 60 square metres [645 square feet]
Burn Time	8 - 13 hours (approx)
Minimum Room Size	110 cubic metres [3884 cubic feet] per fireplace.
Minimum Wall Length	1,935mm [76in]

Physical model dimensions should be verified against cut out dimensions BEFORE installation begins to confirm tolerances align.

These values are indicative only and may vary depending on the model purchased, installation, and the seasonal resource used to manufacture e-NRG.

RIGHT CORNER FIREPLACES

Application	Indoor & Outdoor
Materials	Mild Steel (Zinc Sealed), Toughened Glass, Stainless Steel & Glass Charcoal as Decorative Media
Colours	Black Firebox, Stainless Steel Burner/s
Fuel Type	e-NRG Bioethanol

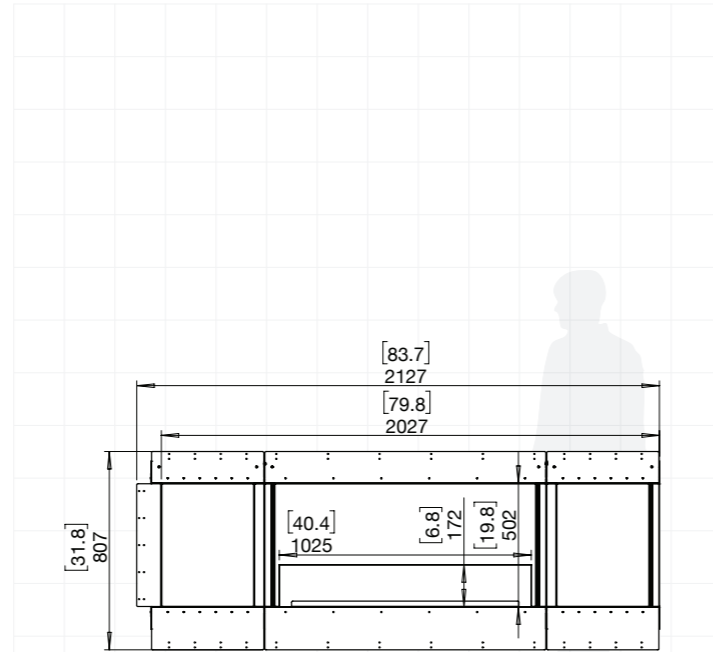
FLEX78

ESF.1.FX.78RC.BX2

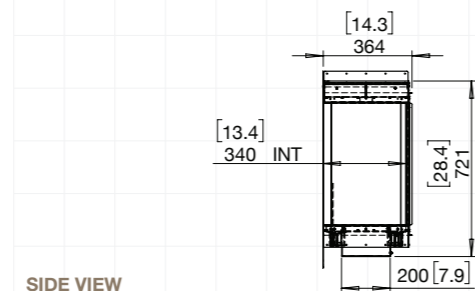
Weight	111kg [244.2lbs] (incl. burner/s, glass charcoal, glass)
Burner	XL700 x 1
Volume Capacity	7 Litres [1.8 Gallons]
Heats on Average (when used indoors)	Over 50 square metres [538 square feet]
Burn Time	9 - 12 hours (approx)
Minimum Room Size	90 cubic metres [3178 cubic feet] per fireplace.
Minimum Wall Length	2,190mm [86in]

Physical model dimensions should be verified against cut out dimensions BEFORE installation begins to confirm tolerances align.

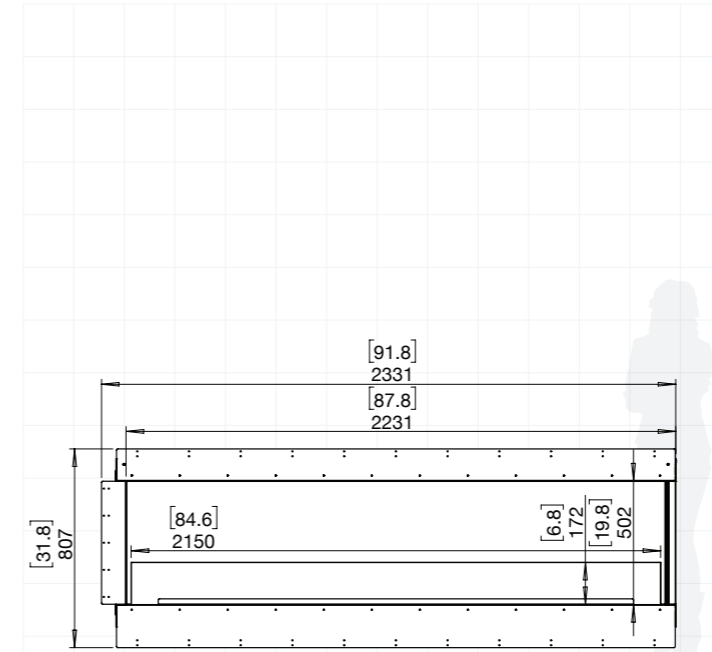
These values are indicative only and may vary depending on the model purchased, installation, and the seasonal resource used to manufacture e-NRG.



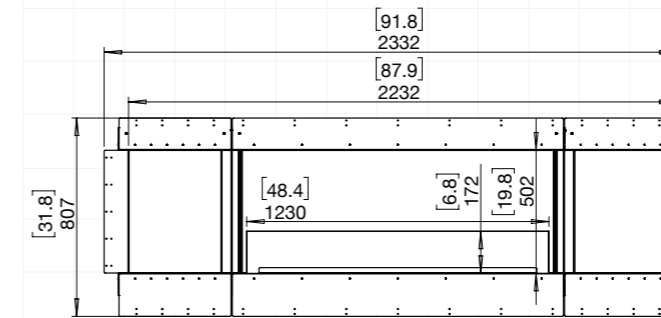
78RC.BX2 (LEFT & RIGHT DECORATIVE BOXES)



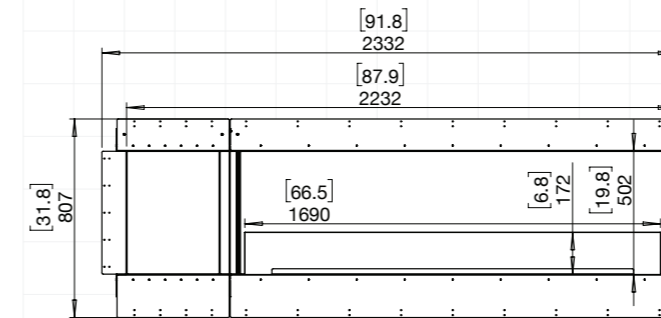
SIDE VIEW



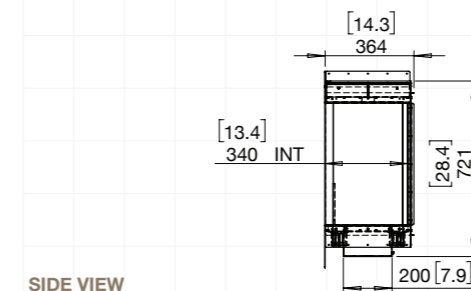
86RC (FLAME ONLY)



86RC.BX2 (LEFT & RIGHT DECORATIVE BOXES)



86RC.BXL (LEFT DECORATIVE BOX AS ILLUSTRATED)
86RC.BXR (RIGHT DECORATIVE BOX)



SIDE VIEW

RIGHT CORNER FIREPLACES

Application	Indoor & Outdoor
Materials	Mild Steel (Zinc Sealed), Toughened Glass, Stainless Steel & Glass Charcoal as Decorative Media
Colours	Black Firebox, Stainless Steel Burner/s
Fuel Type	e-NRG Bioethanol

FLEX86

ESF.1.FX.86RC

Weight	121.7kg [267.7lbs] (incl. burner/s, glass charcoal, glass)
Burner	XL900 x 2
Volume Capacity	9 Litres [2.4 Gallons] x 2
Heats on Average	Over 120 square metres [1290 square feet]
Burn Time	8 - 13 hours (approx)
Minimum Room Size	220 cubic metres [7768 cubic feet] per fireplace
Minimum Wall Length	2,395mm [94in]

ESF.1.FX.86RC.BX2

Weight	119kg [261.8lbs] (incl. burner/s, glass charcoal, glass)
Burner	XL900 x 1
Volume Capacity	9 Litres [2.4 Gallons]
Heats on Average	Over 60 square metres [645 square feet]
Burn Time	8 - 13 hours (approx)
Minimum Room Size	110 cubic metres [3884 cubic feet] per fireplace
Minimum Wall Length	2,395mm [94in]

ESF.2.FX.86RC.BXL ESF.2.FX.86RC.BXR

Weight	122.6kg [269.7lbs] (incl. burner/s, glass charcoal, glass)
Burner	XL1200 x 1
Volume Capacity	10 Litres [2.6 Gallons] x 1
Heats on Average	Over 65 square metres [700 square feet]
Burn Time	9 - 14 hours (approx)
Minimum Room Size	115 cubic metres [4061 cubic feet] per fireplace
Minimum Wall Length	2,395mm [94in]

Physical model dimensions should be verified against cut out dimensions BEFORE installation begins to confirm tolerances align.

These values are indicative only and may vary depending on the model purchased, installation, and the seasonal resource used to manufacture e-NRG.

RIGHT CORNER FIREPLACES

Application	Indoor & Outdoor
Materials	Mild Steel (Zinc Sealed), Toughened Glass, Stainless Steel & Glass Charcoal as Decorative Media
Colours	Black Firebox, Stainless Steel Burner/s
Fuel Type	e-NRG Bioethanol

FLEX104

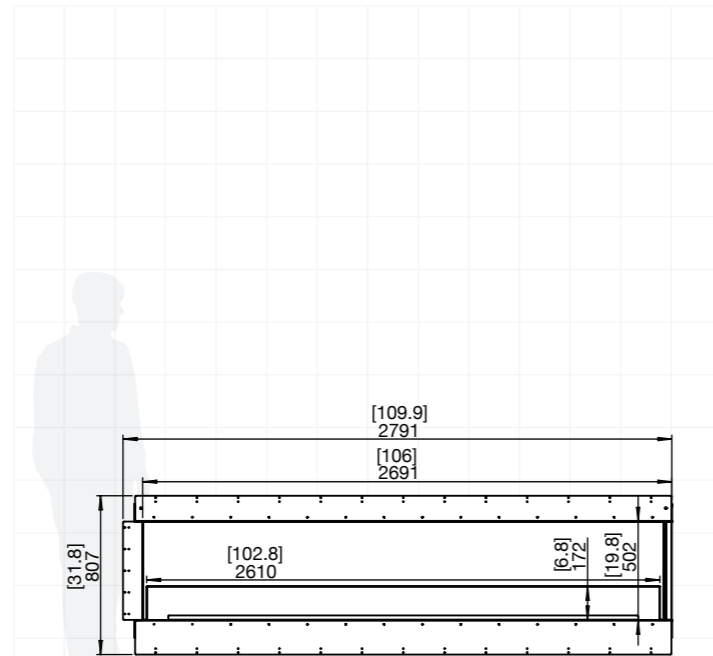
ESF.1.FX.104RC	
Weight	149.5kg [328.9lbs] (Incl. burner/s, glass charcoal, glass)
Burner	XL1200 x 2
Volume Capacity	10 Litres [2.6 Gallons] x 2
Heats on Average	Over 130 square metres [1400 square feet]
Burn Time	9 - 14 hours (approx)
Minimum Room Size	230 cubic metres [8122 cubic feet] per fireplace
Minimum Wall Length	2,855mm [112in]

ESF.2.FX.104RC.BX2	
Weight	146.9kg [323.2lbs] (Incl. burner/s, glass charcoal, glass)
Burner	XL1200 x 1
Volume Capacity	10 Litres [2.6 Gallons] x 1
Heats on Average	Over 65 square metres [700 square feet]
Burn Time	9 - 14 hours (approx)
Minimum Room Size	115 cubic metres [4061 cubic feet] per fireplace
Minimum Wall Length	2,855mm [112in]

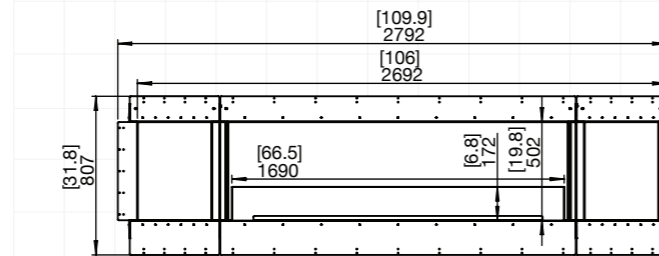
ESF.1.FX.104RC.BXL	
ESF.1.FX.104RC.BXR	
Weight	145.4kg [319.9lbs] (Incl. burner/s, glass charcoal, glass)
Burner	XL900 x 2
Volume Capacity	9 Litres [2.4 Gallons] x 2
Heats on Average	Over 120 square metres [1290 square feet]
Burn Time	8 - 13 hours (approx)
Minimum Room Size	220 cubic metres [7768 cubic feet] per fireplace
Minimum Wall Length	2,855mm [112in]

Physical model dimensions should be verified against cut out dimensions BEFORE installation begins to confirm tolerances align.

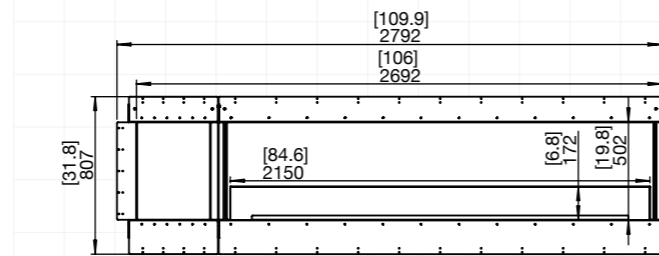
These values are indicative only and may vary depending on the model purchased, installation, and the seasonal resource used to manufacture e-NRG.



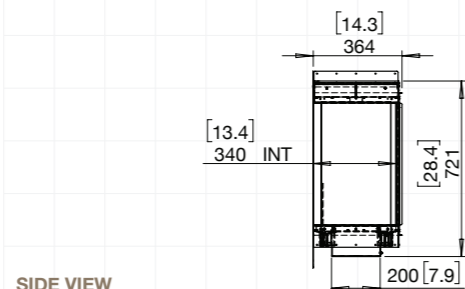
104RC (FLAME ONLY)



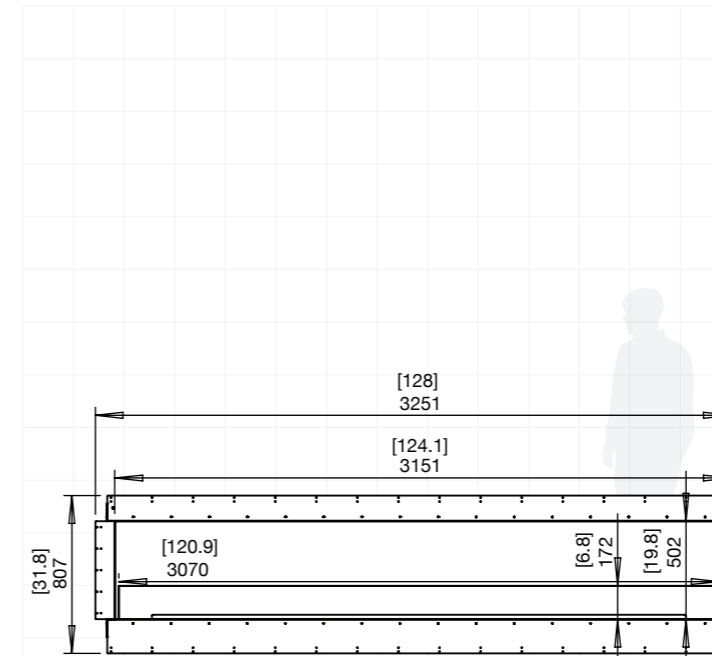
104RC.BX2 (LEFT & RIGHT DECORATIVE BOXES)



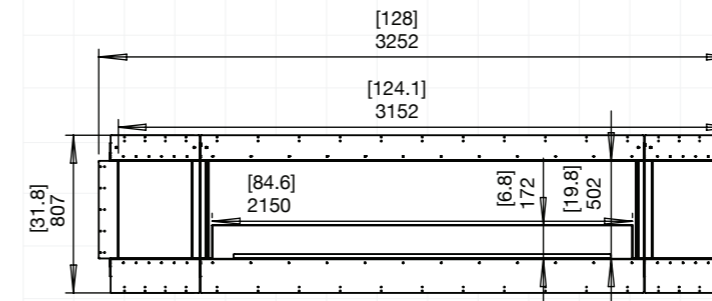
104RC.BXL (LEFT DECORATIVE BOX AS ILLUSTRATED)
104RC.BXR (RIGHT DECORATIVE BOX)



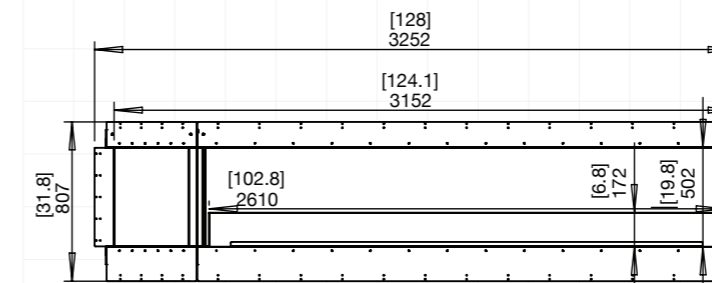
SIDE VIEW



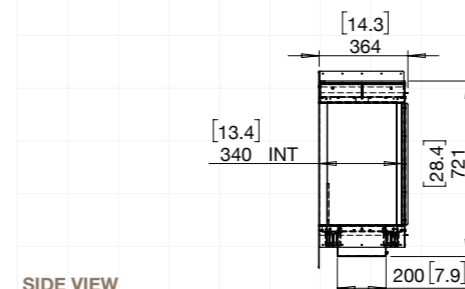
122RC (FLAME ONLY)



122RC.BX2 (LEFT & RIGHT DECORATIVE BOXES)



122RC.BXL (LEFT DECORATIVE BOX AS ILLUSTRATED)
122RC.BXR (RIGHT DECORATIVE BOX)



SIDE VIEW

RIGHT CORNER FIREPLACES

Application	Indoor & Outdoor
Materials	Mild Steel (Zinc Sealed), Toughened Glass, Stainless Steel & Glass Charcoal as Decorative Media
Colours	Black Firebox, Stainless Steel Burner/s
Fuel Type	e-NRG Bioethanol

FLEX122

ESF.1.FX.122RC	
Weight	171.7kg [377.7lbs] (Incl. burner/s, glass charcoal, glass)
Burner	XL900 x 3
Volume Capacity	9 Litres [2.4 Gallons] x 3
Heats on Average	Over 180 square metres [1935 square feet]
Burn Time	8 - 13 hours (approx)
Minimum Room Size	330 cubic metres [11652 cubic feet] per fireplace
Minimum Wall Length	3,315mm [131in]

ESF.1.FX.122RC.BX2	
Weight	169.1kg [372lbs] (Incl. burner/s, glass charcoal, glass)
Burner	XL900 x 2
Volume Capacity	9 Litres [2.4 Gallons] x 2
Heats on Average	Over 120 square metres [1290 square feet]
Burn Time	8 - 13 hours (approx)
Minimum Room Size	220 cubic metres [7768 cubic feet] per fireplace
Minimum Wall Length	3,315mm [131in]

ESF.1.FX.122RC.BXL	
ESF.1.FX.122RC.BXR	
Weight	173.4kg [381.5lbs] (Incl. burner/s, glass charcoal, glass)
Burner	XL1200 x 2
Volume Capacity	10 Litres [2.6 Gallons] x 2
Heats on Average	Over 130 square metres [1400 square feet]
Burn Time	9 - 14 hours (approx)
Minimum Room Size	230 cubic metres [8122 cubic feet] per fireplace
Minimum Wall Length	3,315mm [131in]

Physical model dimensions should be verified against cut out dimensions BEFORE installation begins to confirm tolerances align.

These values are indicative only and may vary depending on the model purchased, installation, and the seasonal resource used to manufacture e-NRG.

RIGHT CORNER FIREPLACES

Application	Indoor & Outdoor
Materials	Mild Steel (Zinc Sealed), Toughened Glass, Stainless Steel & Glass Charcoal as Decorative Media
Colours	Black Firebox, Stainless Steel Burner/s
Fuel Type	e-NRG Bioethanol

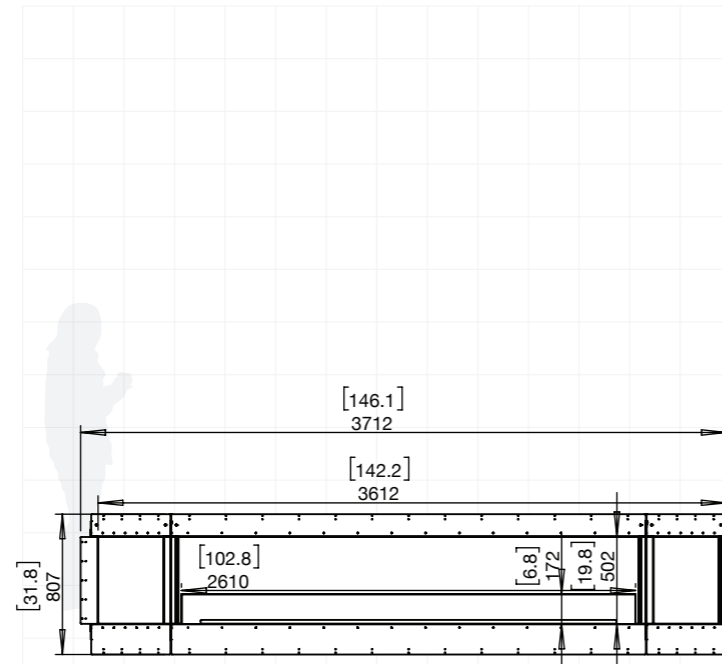
FLEX140

ESF.1.FX.140RC.BX2	
Weight	197.1kg [433.6lbs] (incl. burner/s, glass charcoal, glass)
Burner	XL1200 x 2
Volume Capacity	10 Litres [2.6 Gallons] x 2
Heats on Average	Over 130 square metres [1400 square feet]
Burn Time	9 - 14 hours (approx)
Minimum Room Size	230 cubic metres [8122 cubic feet] per fireplace
Minimum Wall Length	3,775mm [149in]

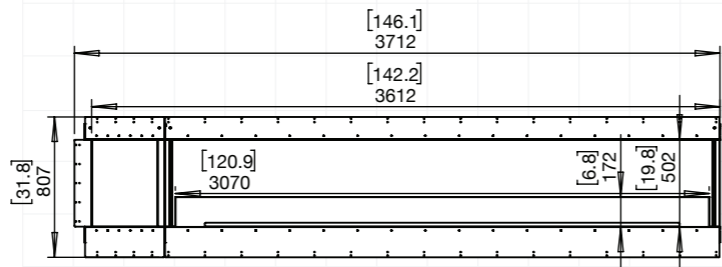
ESF.1.FX.140RC.BXL	
ESF.1.FX.140RC.BXR	
Weight	195.4kg [429.9lbs] (incl. burner/s, glass charcoal, glass)
Burner	XL900 x 3
Volume Capacity	9 Litres [2.4 Gallons] x 3
Heats on Average	Over 180 square metres [1935 square feet]
Burn Time	8 - 13 hours (approx)
Minimum Room Size	330 cubic metres [11652 cubic feet] per fireplace
Minimum Wall Length	3,775mm [149in]

Physical model dimensions should be verified against cut out dimensions BEFORE installation begins to confirm tolerances align.

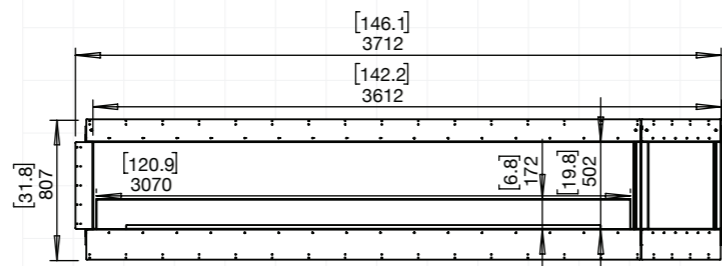
These values are indicative only and may vary depending on the model purchased, installation, and the seasonal resource used to manufacture e-NRG.



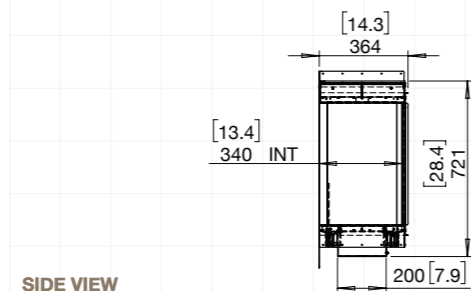
140RC.BX2 (LEFT & RIGHT DECORATIVE BOXES)



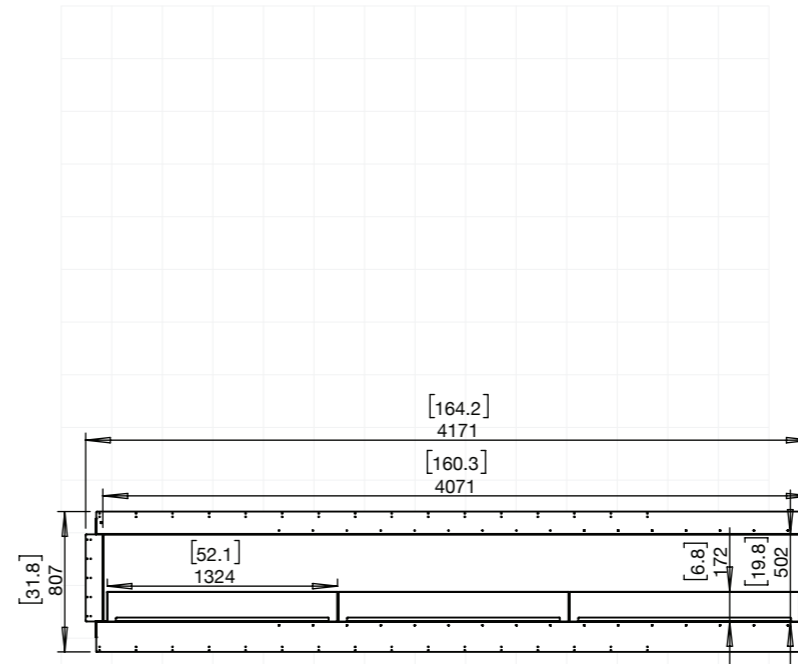
140RC.BXL (LEFT DECORATIVE BOX)



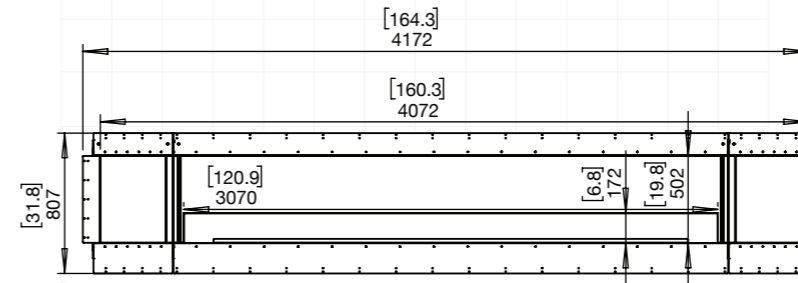
140RC.BXR (RIGHT DECORATIVE BOX)



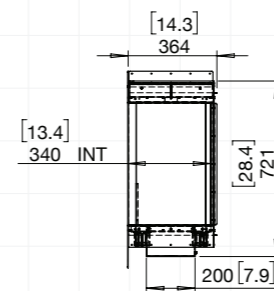
SIDE VIEW



158RC (FLAME ONLY)



158RC.BX2 (LEFT & RIGHT DECORATIVE BOXES)



SIDE VIEW

RIGHT CORNER FIREPLACES

Application	Indoor & Outdoor
Materials	Mild Steel (Zinc Sealed), Toughened Glass, Stainless Steel & Glass Charcoal as Decorative Media
Colours	Black Firebox, Stainless Steel Burner/s
Fuel Type	e-NRG Bioethanol

FLEX158

ESF.1.FX.158RC	
Weight	225.5kg [496.1lbs] (incl. burner/s, glass charcoal, glass)
Burner	XL1200 x 3
Volume Capacity	10 Litres [2.6 Gallons] x 3
Heats on Average	Over 195 square metres [2100 square feet]
Burn Time	9 - 14 hours (approx)
Minimum Room Size	345 cubic metres [12183 cubic feet] per fireplace
Minimum Wall Length	4,235mm [167in]

ESF.1.FX.158RC.BX2	
Weight	219.1kg [482lbs] (incl. burner/s, glass charcoal, glass)
Burner	XL900 x 3
Volume Capacity	9 Litres [2.4 Gallons] x 3
Heats on Average	Over 180 square metres [1935 square feet]
Burn Time	8 - 13 hours (approx)
Minimum Room Size	330 cubic metres [11652 cubic feet] per fireplace
Minimum Wall Length	4,235mm [167in]

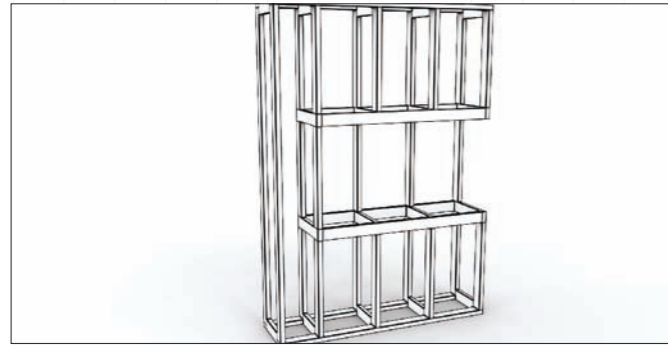
Physical model dimensions should be verified against cut out dimensions BEFORE installation begins to confirm tolerances align.

These values are indicative only and may vary depending on the model purchased, installation, and the seasonal resource used to manufacture e-NRG.

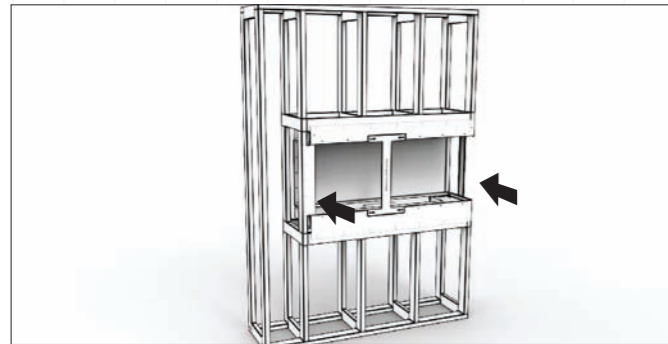
FLEX RIGHT CORNER FIREPLACE INDICATIVE INSTALL

GUIDE ONLY - MUST READ THE INSTRUCTIONS INCLUDED WITH THE MODEL

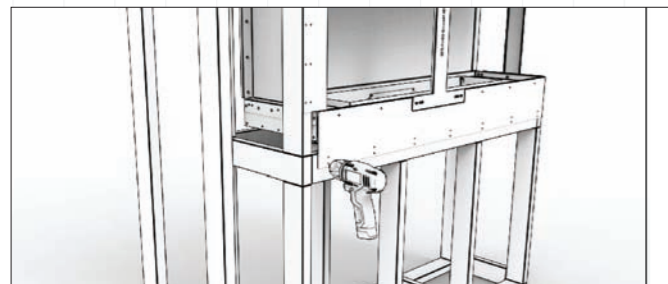
1. Construct a main wall framework. The base of the frame can be a solid bench/platform, which will assist in leveling up the appliance when in position.



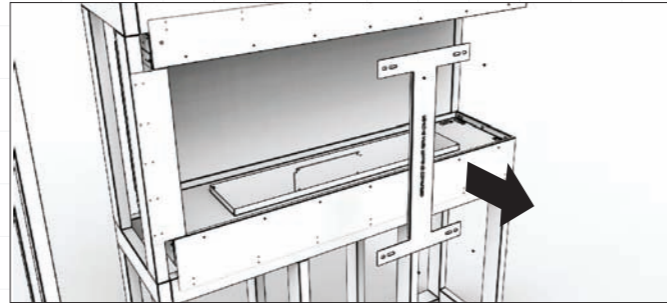
2. Slide the appliance inside the framing cavity (the base of the appliance can sit directly on top of the 2 x 4 framing material). The appliance is shipped with red stability bracket(s) installed on the open side(s) to keep the appliance square while in transport and during installation. Keep the bracket(s) on while framing up the setting to assist in minimising movement of the appliance. Align the top corner flange extension panel with the threaded holes on top shelf and screw into place with the included screws



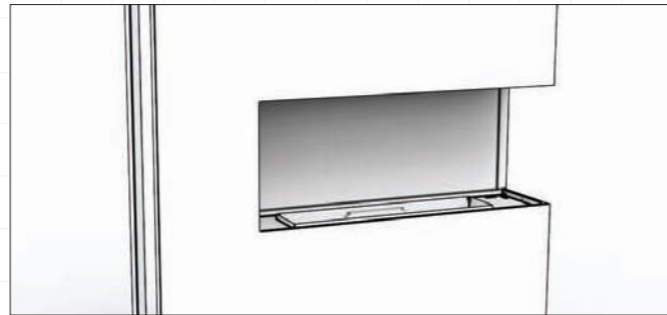
3. Secure the appliance to the framework using the existing mounting holes on the appliance flanges. Make sure that the appliance is level before securing it in place.



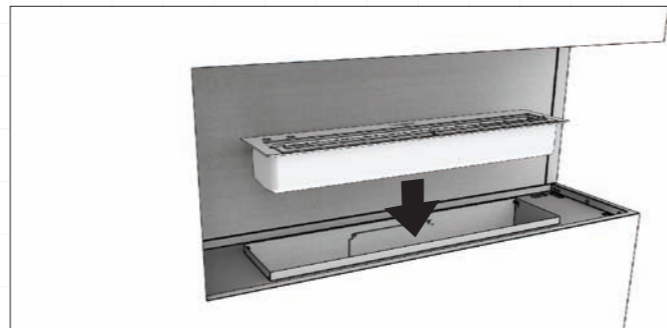
4. Remove the red safety bracket(s).



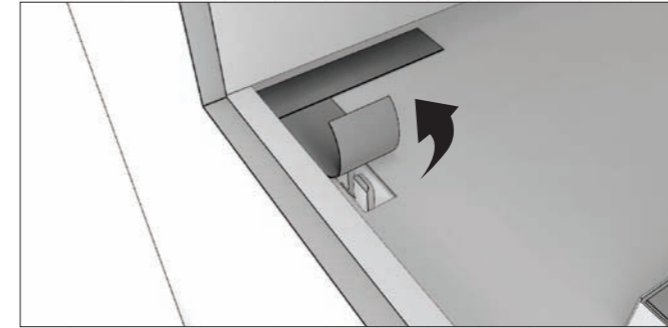
5. Complete the construction by finishing the wall paneling around the appliance. (See section on **FINISHING INSTRUCTIONS** and ensure that you fully understand where non combustible materials must be used.)



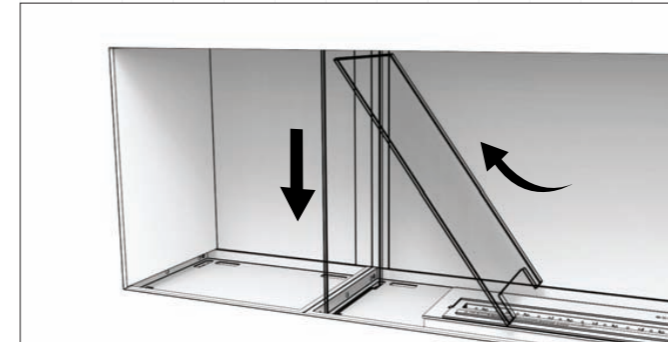
6. Place the burner into position.



7. Remove the dust protective tape that covers the windscreen mounting slots.



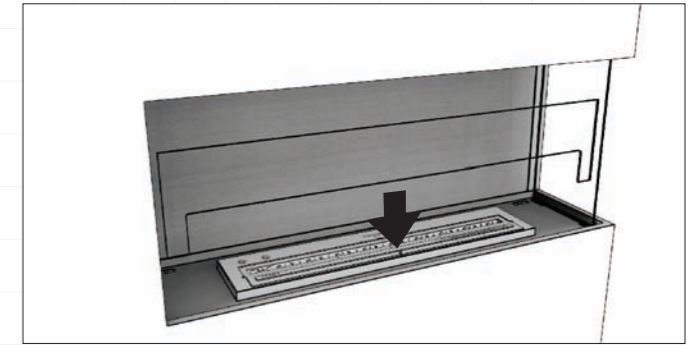
8. If your appliance includes a decorative box on the left / right or both, insert the internal glass panel by feeding the glass upwards into the slot then pushing down into the positioned clips.



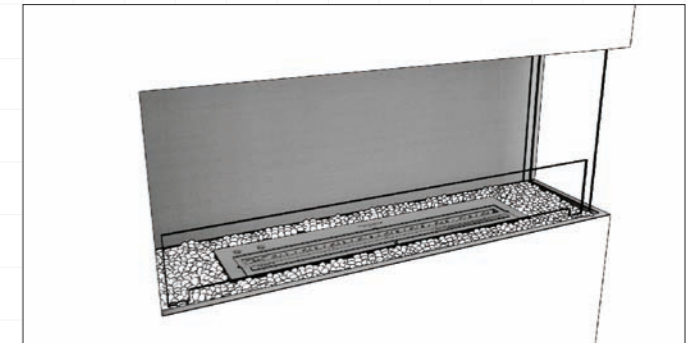
9. Insert the full height glass panel into one of the open end side by inserting the glass into the opening at the top of the appliance, and lowering it into the slots in the base until it bottoms out into place.



10. Install the windscreen by inserting the glass ends into the slots. Use a small amount of pressure to push the windscreen in place until it bottoms out into the hidden glass clips.



11. Spread the black glass charcoal evenly around the appliance tray.



BUILT-IN

FLEX BAY FIREPLACES



Model: FLEX122BY.BX2

Clean Burning
Fueled by clean burning e-NRG bioethanol

Toughened Safety Screen
Your Flex Fireplace features toughened glass to stabilise the flame in windy conditions and provide an additional layer of safety and comfort. The integrated windscreen sits flush behind the frame.

Single Room Application
Bay fireplaces feature three open sides - view the flame from the front and both sides.

Global Compliance
All burners are UL Listed in accordance with MH46715/Subject1370 in the USA, Certified by BSI in accordance with EN16647, and comply with the ACCC Safety Mandate for Australia.

Decorative Side Box
When a decorative box is added, the panel between the standard fire and the decorative box is glass.

Luxurious Finish
Available in a timeless black finish, Flex Fireplaces come with stainless steel burners and black glass charcoal.

Built to Last a Lifetime
Zinc sealed steel construction powder coated with super hi-temp black paint prevents rusting so all fireplaces can be used both indoors or outdoors.

Decorative Steel Log Sets
EcoSmart Fire offers non-combustible logs as an optional, eye-catching accessory for models with the decorative side box. Made from stainless steel with a patina finish, they are available in different finishes.

Zero Clearance
Self-contained, zero clearance construction allows your Flex fireplace to be framed into wood or metal studs, providing installation freedom and flexibility for builders, architects, interior designers, landscapers and homeowners.

OPTIONAL ACCESSORIES



Decorative Steel Logs

BAY FIREPLACES

FLEX18
Minimum Wall Length 635mm [25in]



18BY

FLEX60
Minimum Wall Length 1,730mm [68in]



60BY.BXL



60BY.BXR

FLEX86
Minimum Wall Length 2,395mm [94in]



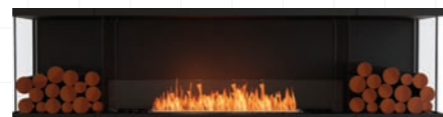
86BY



86BY.BXL



86BY.BXR



86BY.BX2

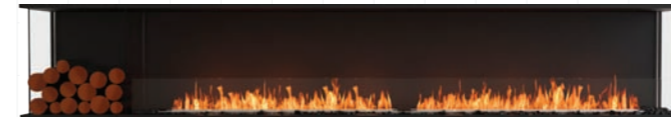
FLEX122
Minimum Wall Length 3,315mm [131in]



122BY



122BY.BX2



122BY.BXL



122BY.BXR

FLEX32
Minimum Wall Length 1,015 mm [40in]



32BY

FLEX68
Minimum Wall Length 1,935mm [76in]



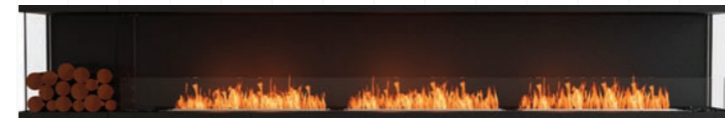
68BY

FLEX104
Minimum Wall Length 2,855mm [112in]

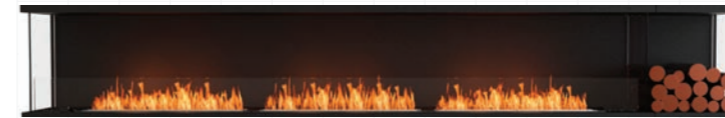


104BY

FLEX140
Minimum Wall Length 3,775mm [149in]



140BY.BXL



140BY.BXR



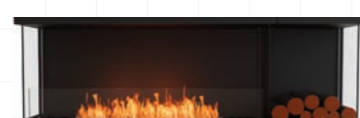
140BY.BX2

FLEX42
Minimum Wall Length 1,270mm [50in]



42BY

68BY.BXL



68BY.BXR



104BY.BXL

FLEX50
Minimum Wall Length 1,475mm [58in]



50BY

68BY.BX2



68BY.BXR



104BY.BXR



50BY.BXL

FLEX78
Minimum Wall Length 2,190mm [86in]

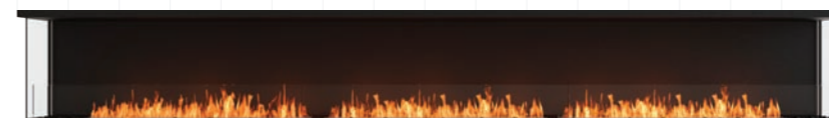


78BY



104BY.BX2

FLEX158
Minimum Wall Length 4,235mm [167in]



158BY



158BY.BX2

BAY FIREPLACES

Application	Indoor & Outdoor
Materials	Mild Steel (Zinc Sealed), Toughened Glass, Stainless Steel & Glass Charcoal as Decorative Media
Colours	Black Firebox, Stainless Steel Burner/s
Fuel Type	e-NRG Bioethanol

FLEX18

ESF.1.FX.18BY

Weight	40.7kg [89.5lbs] (Incl. burner/s, glass charcoal, glass)
Burner	AB3 x 1
Volume Capacity	2.5 Litres [0.7 Gallons]
Heats on Average (when used indoors)	Over 20 square metres [215 square feet]
Burn Time	8 - 11 hours (approx)
Minimum Room Size	40 cubic metres [1413 cubic feet] per fireplace.
Minimum Wall Length	635mm [25in]

FLEX32

ESF.1.FX.32BY

Weight	51.9kg [114.2lbs] (Incl. burner/s, glass charcoal, glass)
Burner	XL500 x 1
Volume Capacity	5 Litres [1.3 Gallons]
Heats on Average (when used indoors)	Over 40 square metres [430.6 square feet]
Burn Time	10 - 13 hours (approx)
Minimum Room Size	80 cubic metres [2825 cubic feet] per fireplace.
Minimum Wall Length	1,015mm [40in]

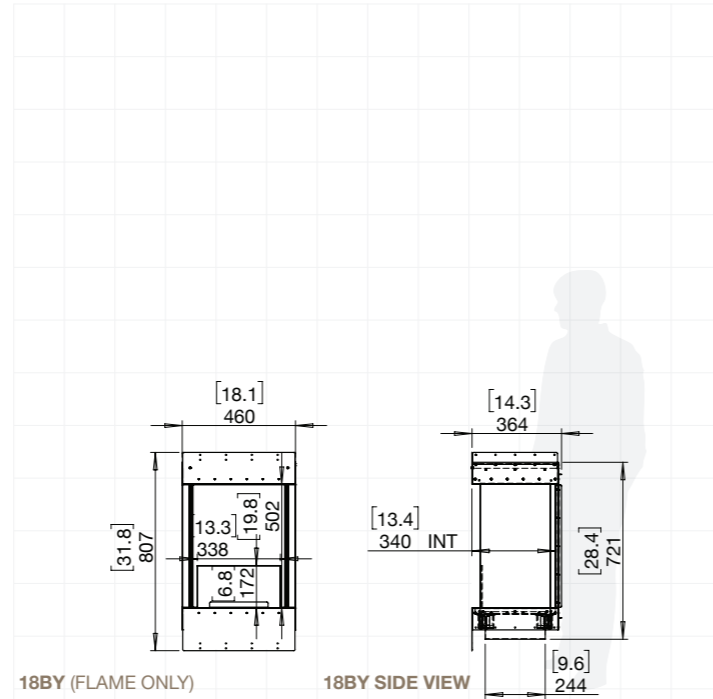
FLEX42

ESF.1.FX.42BY

Weight	66.5kg [146.3lbs] (Incl. burner/s, glass charcoal, glass)
Burner	XL700 x 1
Volume Capacity	7 Litres [1.8 Gallons]
Heats on Average (when used indoors)	Over 50 square metres [538 square feet]
Burn Time	9 - 12 hours (approx)
Minimum Room Size	90 cubic metres [3178 cubic feet] per fireplace.
Minimum Wall Length	1,270mm [50in]

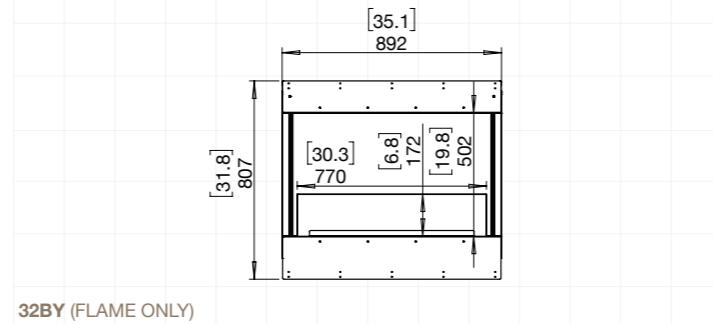
Physical model dimensions should be verified against cut out dimensions BEFORE installation begins to confirm tolerances align.

These values are indicative only and may vary depending on the model purchased, installation, and the seasonal resource used to manufacture e-NRG.

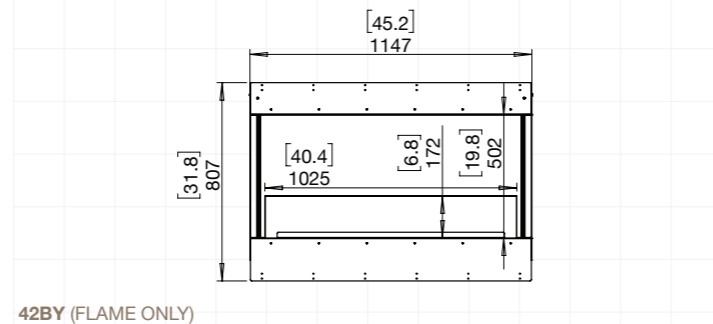


18BY (FLAME ONLY)

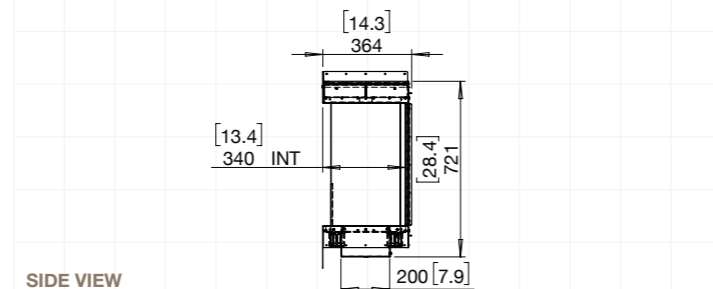
18BY SIDE VIEW



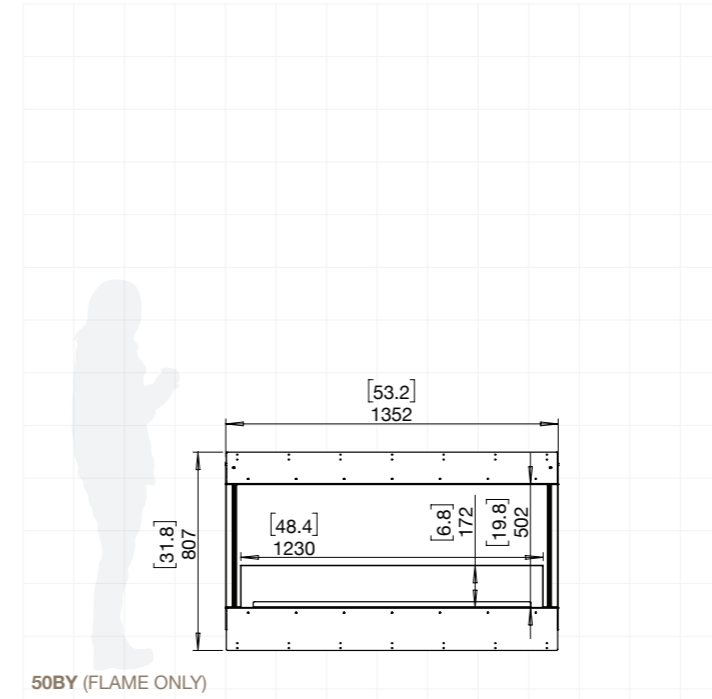
32BY (FLAME ONLY)



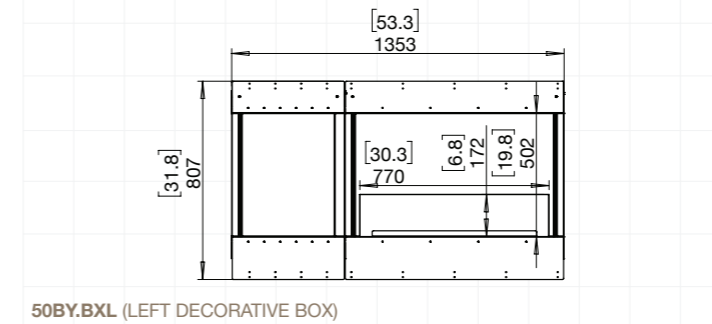
42BY (FLAME ONLY)



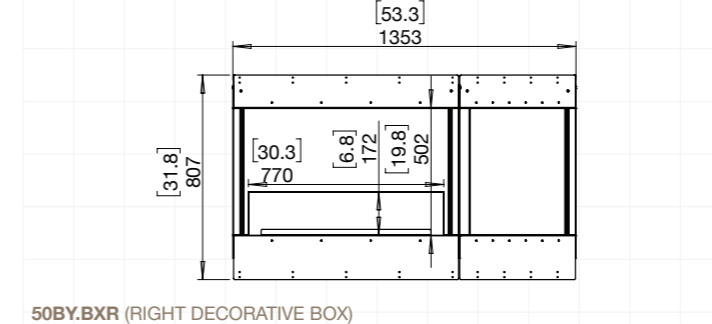
SIDE VIEW



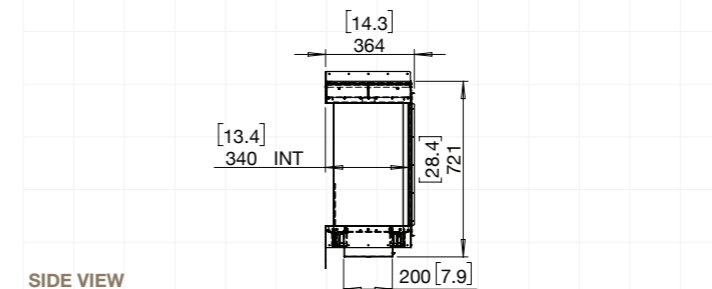
50BY (FLAME ONLY)



50BY.BXL (LEFT DECORATIVE BOX)



50BY.BXR (RIGHT DECORATIVE BOX)



SIDE VIEW

BAY FIREPLACES

Application	Indoor & Outdoor
Materials	Mild Steel (Zinc Sealed), Toughened Glass, Stainless Steel & Glass Charcoal as Decorative Media
Colours	Black Firebox, Stainless Steel Burner/s
Fuel Type	e-NRG Bioethanol

FLEX50

ESF.1.FX.50BY

Weight	71.8kg [158lbs] (Incl. burner/s, glass charcoal, glass)
Burner	XL900 x 1
Volume Capacity	9 Litres [2.4 Gallons]
Heats on Average (when used indoors)	Over 60 square metres [645 square feet]
Burn Time	8 - 13 hours (approx)
Minimum Room Size	110 cubic metres [3884 cubic feet] per fireplace.
Minimum Wall Length	1,475mm [58in]

ESF.1.FX.50BY.BXL
ESF.1.FX.50BY.BXR

Weight	76.2kg [167.6lbs] (Incl. burner/s, glass charcoal, glass)
Burner	XL500 x 1
Volume Capacity	5 Litres [1.3 Gallons]
Heats on Average (when used indoors)	Over 40 square metres [430.6 square feet]
Burn Time	10 - 13 hours (approx)
Minimum Room Size	80 cubic metres [2825 cubic feet] per fireplace.
Minimum Wall Length	1,475mm [58in]

Physical model dimensions should be verified against cut out dimensions BEFORE installation begins to confirm tolerances align.

These values are indicative only and may vary depending on the model purchased, installation, and the seasonal resource used to manufacture e-NRG.

BAY FIREPLACES

Application	Indoor & Outdoor
Materials	Mild Steel (Zinc Sealed), Toughened Glass, Stainless Steel & Glass Charcoal as Decorative Media
Colours	Black Firebox, Stainless Steel Burner/s
Fuel Type	e-NRG Bioethanol

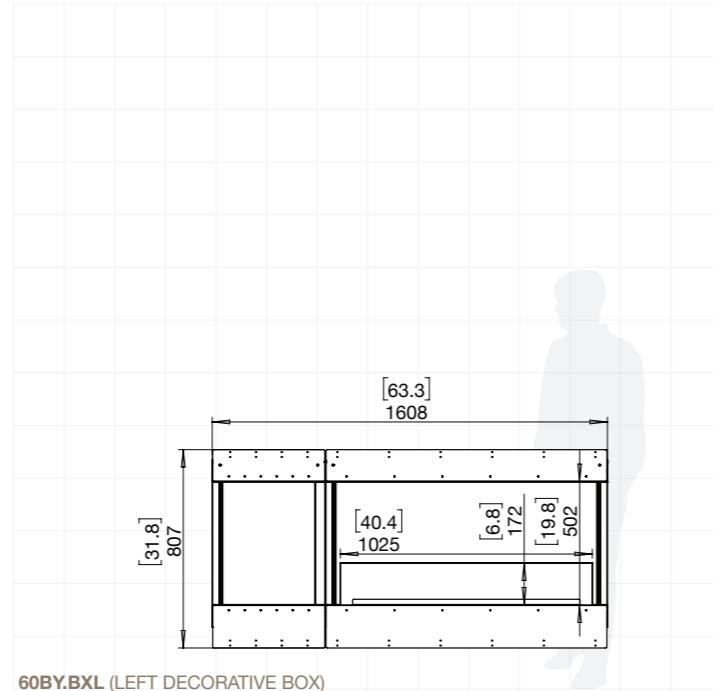
FLEX60

ESF.1.FX.60BY.BXL
ESF.1.FX.60BY.BXR

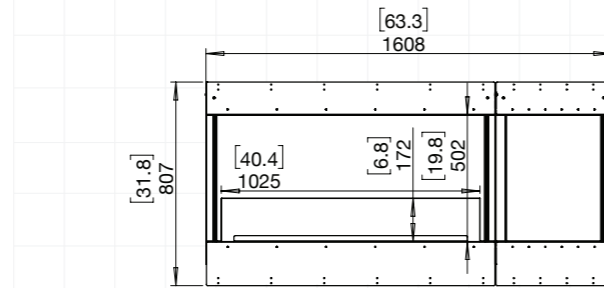
Weight	90.3kg [198.7lbs] (incl. burner/s, glass charcoal, glass)
Burner	XL700 x 1
Volume Capacity	7 Litres [1.8 Gallons]
Heats on Average (when used indoors)	Over 50 square metres [538 square feet]
Burn Time	9 - 12 hours (approx)
Minimum Room Size	90 cubic metres [3178 cubic feet] per fireplace.
Minimum Wall Length	1,730mm [68in]

Physical model dimensions should be verified against cut out dimensions BEFORE installation begins to confirm tolerances align.

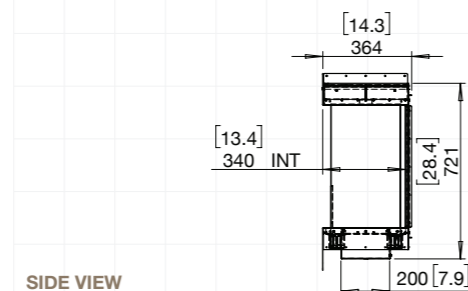
These values are indicative only and may vary depending on the model purchased, installation, and the seasonal resource used to manufacture e-NRG.



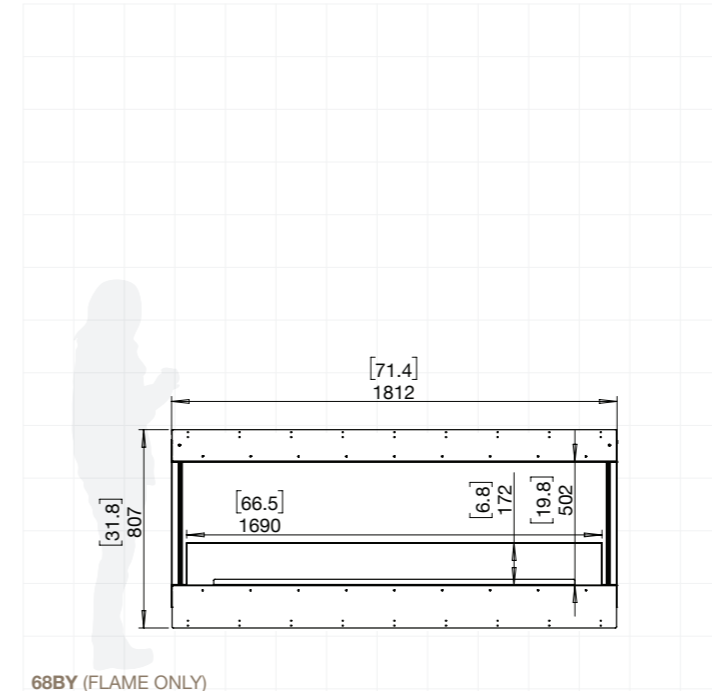
60BY.BXL (LEFT DECORATIVE BOX)



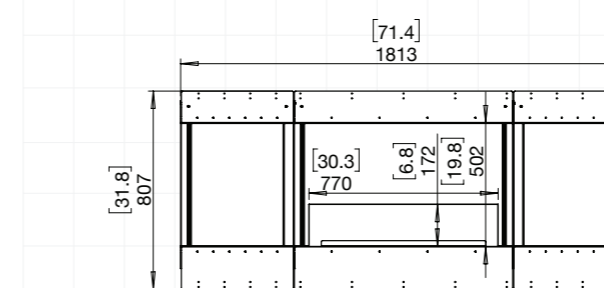
60BY.BXR (RIGHT DECORATIVE BOX)



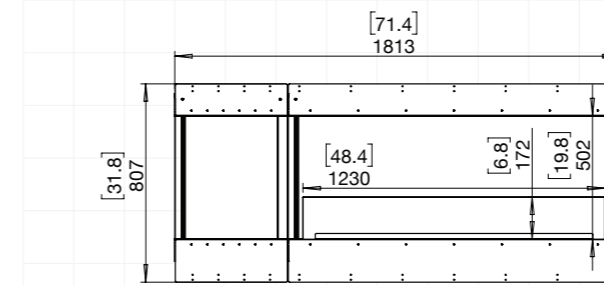
SIDE VIEW



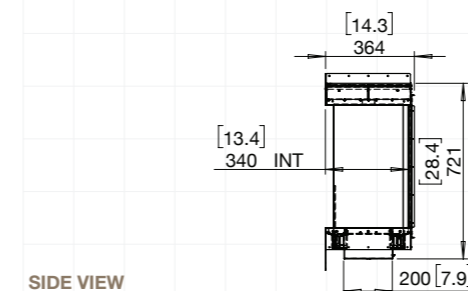
68BY (FLAME ONLY)



68BY.BX2 (LEFT & RIGHT DECORATIVE BOXES)



68BY.BXL (LEFT DECORATIVE BOX AS ILLUSTRATED)
68BY.BXR (RIGHT DECORATIVE BOX)



SIDE VIEW

BAY FIREPLACES

Application	Indoor & Outdoor
Materials	Mild Steel (Zinc Sealed), Toughened Glass, Stainless Steel & Glass Charcoal as Decorative Media
Colours	Black Firebox, Stainless Steel Burner/s
Fuel Type	e-NRG Bioethanol

FLEX68

ESF.2.FX.68BY

Weight	103.6kg [227.9lbs] (incl. burner/s, glass charcoal, glass)
Burner	XL1200 x 1
Volume Capacity	10 Litres [2.6 Gallons] x 1
Heats on Average	Over 65 square metres [700 square feet]
Burn Time	9 - 14 hours (approx)
Minimum Room Size	115 cubic metres [4061 cubic feet] per fireplace.
Minimum Wall Length	1,935mm [76in]

ESF.1.FX.68BY.BX2

Weight	100.2kg [220.4lbs] (incl. burner/s, glass charcoal, glass)
Burner	XL500 x 1
Volume Capacity	5 Litres [1.3 Gallons]
Heats on Average	Over 40 square metres [430.6 square feet]
Burn Time	10 - 13 hours (approx)
Minimum Room Size	80 cubic metres [2825 cubic feet] per fireplace.
Minimum Wall Length	1,935mm [76in]

ESF.1.FX.68BY.BXL
ESF.1.FX.68BY.BXR

Weight	95.5kg [210.1lbs] (incl. burner/s, glass charcoal, glass)
Burner	XL900 x 1
Volume Capacity	9 Litres [2.4 Gallons]
Heats on Average	Over 60 square metres [645 square feet]
Burn Time	8 - 13 hours (approx)
Minimum Room Size	110 cubic metres [3884 cubic feet] per fireplace.
Minimum Wall Length	1,935mm [76in]

Physical model dimensions should be verified against cut out dimensions BEFORE installation begins to confirm tolerances align.

These values are indicative only and may vary depending on the model purchased, installation, and the seasonal resource used to manufacture e-NRG.

BAY FIREPLACES

Application	Indoor & Outdoor
Materials	Mild Steel (Zinc Sealed), Toughened Glass, Stainless Steel & Glass Charcoal as Decorative Media
Colours	Black Firebox, Stainless Steel Burner/s
Fuel Type	e-NRG Bioethanol

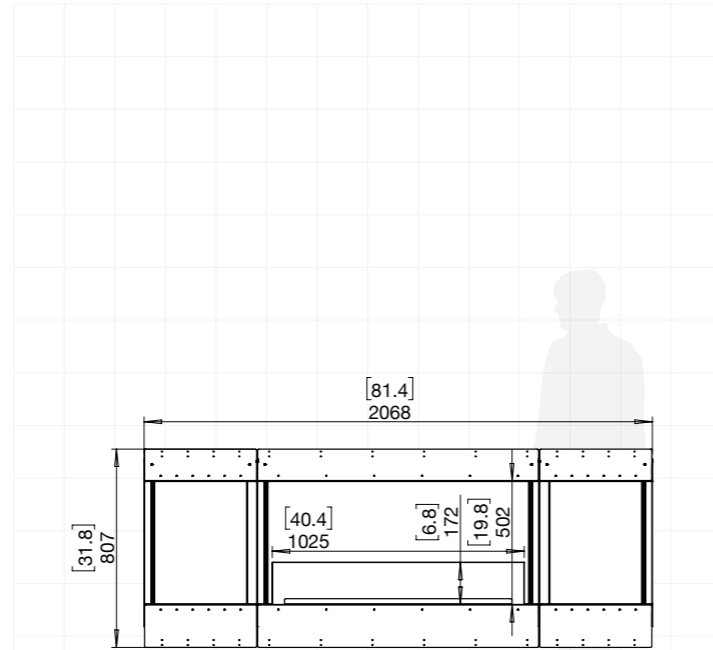
FLEX78

ESF.1.FX.78BY.BX2

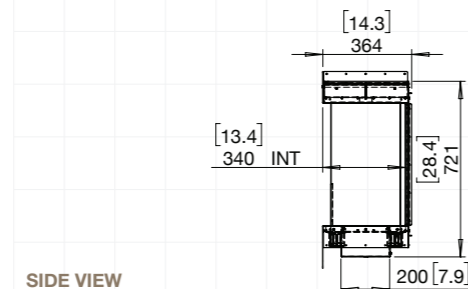
Weight	114kg [250.8lbs] (incl. burner/s, glass charcoal, glass)
Burner	XL700 x 1
Volume Capacity	7 Litres [1.8 Gallons]
Heats on Average (when used indoors)	Over 50 square metres [538 square feet]
Burn Time	9 - 12 hours (approx)
Minimum Room Size	90 cubic metres [3178 cubic feet] per fireplace.
Minimum Wall Length	2,190mm [86in]

Physical model dimensions should be verified against cut out dimensions BEFORE installation begins to confirm tolerances align.

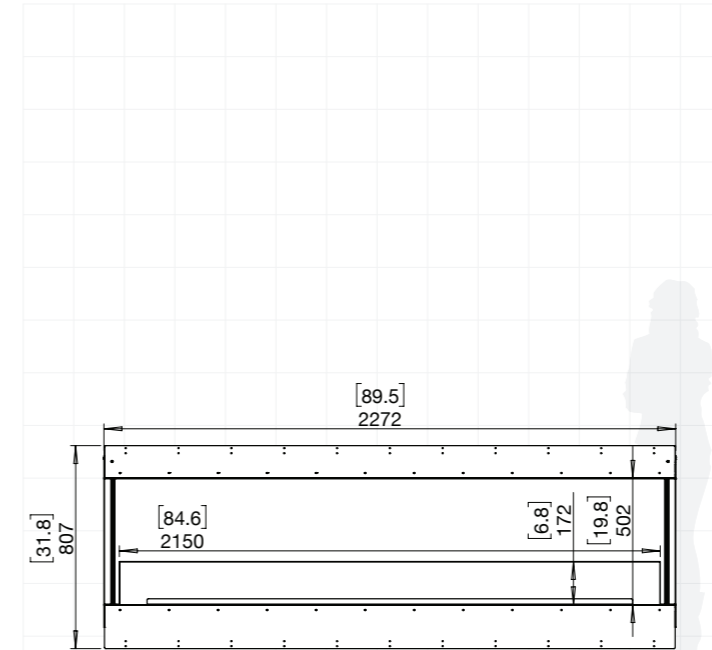
These values are indicative only and may vary depending on the model purchased, installation, and the seasonal resource used to manufacture e-NRG.



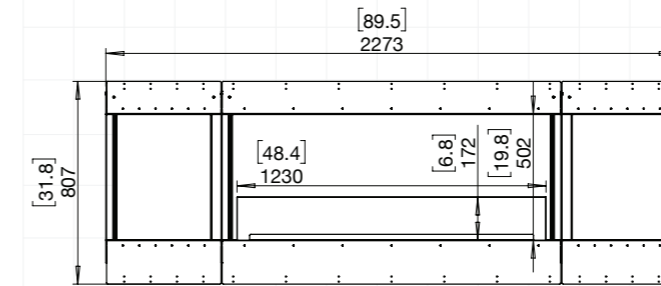
78BY.BX2 (LEFT & RIGHT DECORATIVE BOXES)



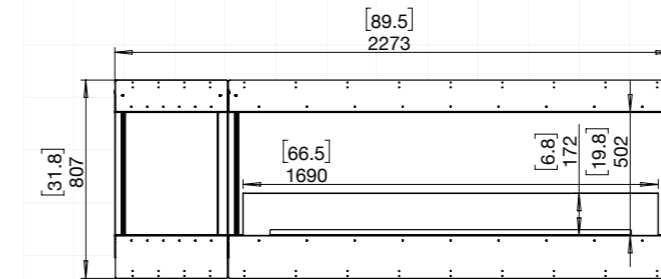
SIDE VIEW



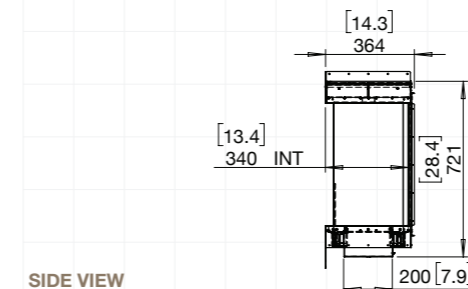
86BY (FLAME ONLY)



86BY.BX2 (LEFT & RIGHT DECORATIVE BOXES)



86BY.BXL (LEFT DECORATIVE BOX AS ILLUSTRATED)
86BY.BXR (RIGHT DECORATIVE BOX)



SIDE VIEW

BAY FIREPLACES

Application	Indoor & Outdoor
Materials	Mild Steel (Zinc Sealed), Toughened Glass, Stainless Steel & Glass Charcoal as Decorative Media
Colours	Black Firebox, Stainless Steel Burner/s
Fuel Type	e-NRG Bioethanol

FLEX86

ESF.1.FX.86BY

Weight	121.9kg [268.2lbs] (incl. burner/s, glass charcoal, glass)
Burner	XL900 x 2
Volume Capacity	9 Litres [2.4 Gallons] x 2
Heats on Average	Over 120 square metres [1290 square feet]
Burn Time	8 - 13 hours (approx)
Minimum Room Size	220 cubic metres [7768 cubic feet] per fireplace
Minimum Wall Length	2,395mm [94in]

ESF.1.FX.86BY.BX2

Weight	119.2kg [262.2lbs] (incl. burner/s, glass charcoal, glass)
Burner	XL900 x 1
Volume Capacity	9 Litres [2.4 Gallons]
Heats on Average	Over 60 square metres [645 square feet]
Burn Time	8 - 13 hours (approx)
Minimum Room Size	110 cubic metres [3884 cubic feet] per fireplace
Minimum Wall Length	2,395mm [94in]

ESF.2.FX.86BY.BXL ESF.2.FX.86BY.BXR

Weight	125.9kg [277lbs] (incl. burner/s, glass charcoal, glass)
Burner	XL1200 x 1
Volume Capacity	10 Litres [2.6 Gallons] x 1
Heats on Average	Over 65 square metres [700 square feet]
Burn Time	9 - 14 hours (approx)
Minimum Room Size	115 cubic metres [4061 cubic feet] per fireplace
Minimum Wall Length	2,395mm [94in]

Physical model dimensions should be verified against cut out dimensions BEFORE installation begins to confirm tolerances align.

These values are indicative only and may vary depending on the model purchased, installation, and the seasonal resource used to manufacture e-NRG.

BAY FIREPLACES

Application	Indoor & Outdoor
Materials	Mild Steel (Zinc Sealed), Toughened Glass, Stainless Steel & Glass Charcoal as Decorative Media
Colours	Black Firebox, Stainless Steel Burner/s
Fuel Type	e-NRG Bioethanol

FLEX104

ESF.1.FX.104BY

Weight	152.9kg [336.4lbs] (incl. burner/s, glass charcoal, glass)
Burner	XL1200 x 2
Volume Capacity	10 Litres [2.6 Gallons] x 2
Heats on Average	Over 130 square metres [1400 square feet]
Burn Time	9 - 14 hours (approx)
Minimum Room Size	230 cubic metres [8122 cubic feet] per fireplace
Minimum Wall Length	2,855mm [112in]

ESF.2.FX.104BY.BX2

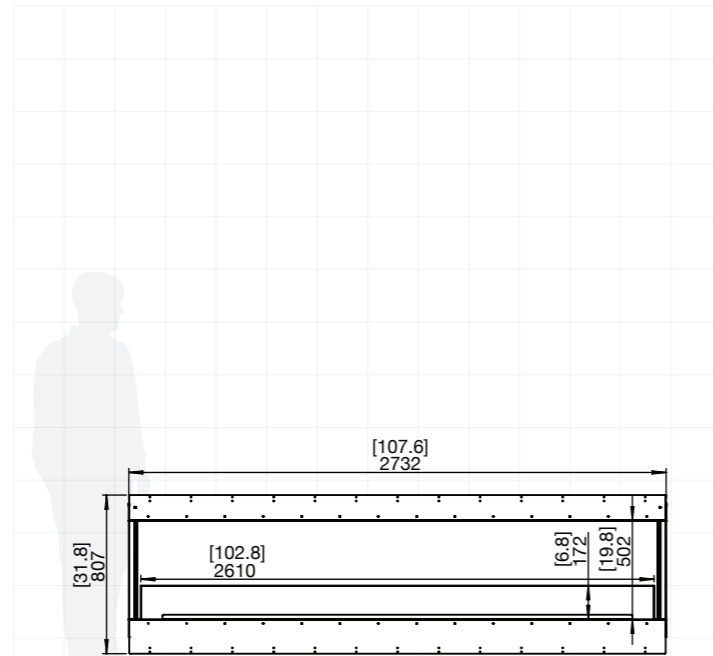
Weight	150.1kg [330.2lbs] (incl. burner/s, glass charcoal, glass)
Burner	XL1200 x 1
Volume Capacity	10 Litres [2.6 Gallons] x 1
Heats on Average	Over 65 square metres [700 square feet]
Burn Time	9 - 14 hours (approx)
Minimum Room Size	115 cubic metres [4061 cubic feet] per fireplace
Minimum Wall Length	2,855mm [112in]

ESF.1.FX.104BY.BXL ESF.1.FX.104BY.BXR

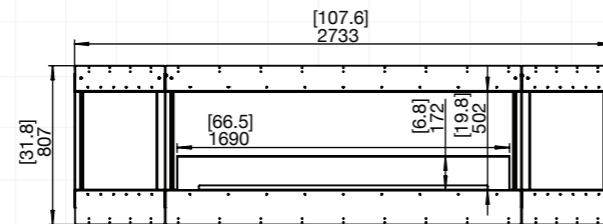
Weight	145.6kg [320.3lbs] (incl. burner/s, glass charcoal, glass)
Burner	XL900 x 2
Volume Capacity	9 Litres [2.4 Gallons] x 2
Heats on Average	Over 120 square metres [1290 square feet]
Burn Time	8 - 13 hours (approx)
Minimum Room Size	220 cubic metres [7768 cubic feet] per fireplace
Minimum Wall Length	2,855mm [112in]

Physical model dimensions should be verified against cut out dimensions BEFORE installation begins to confirm tolerances align.

These values are indicative only and may vary depending on the model purchased, installation, and the seasonal resource used to manufacture e-NRG.

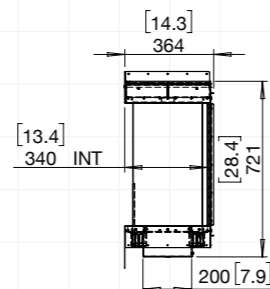


104BY (FLAME ONLY)

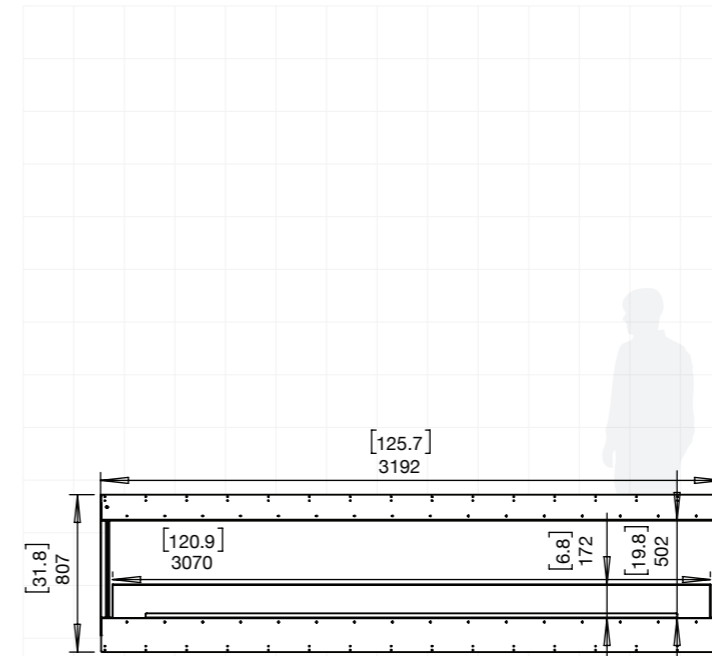


104BY.BX2 (LEFT & RIGHT DECORATIVE BOXES)

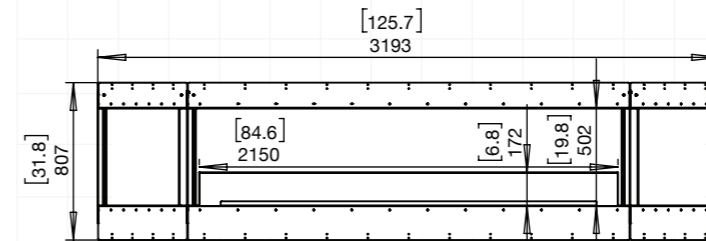
104BY.BXL (LEFT DECORATIVE BOX AS ILLUSTRATED)
104BY.BXR (RIGHT DECORATIVE BOX)



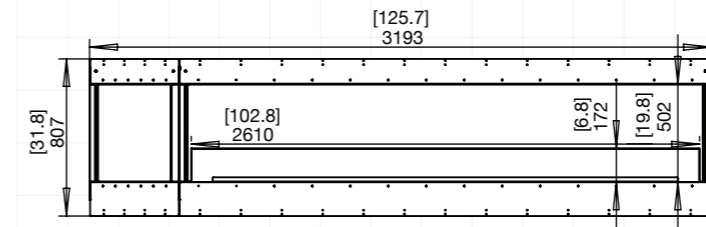
SIDE VIEW



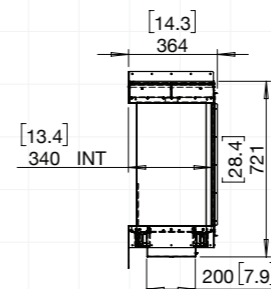
122BY (FLAME ONLY)



122BY.BX2 (LEFT & RIGHT DECORATIVE BOXES)



122BY.BXL (LEFT DECORATIVE BOX AS ILLUSTRATED)
122BY.BXR (RIGHT DECORATIVE BOX)



SIDE VIEW

BAY FIREPLACES

Application	Indoor & Outdoor
Materials	Mild Steel (Zinc Sealed), Toughened Glass, Stainless Steel & Glass Charcoal as Decorative Media
Colours	Black Firebox, Stainless Steel Burner/s
Fuel Type	e-NRG Bioethanol

FLEX122

ESF.1.FX.122BY

Weight	171.9kg [378.2lbs] (incl. burner/s, glass charcoal, glass)
Burner	XL900 x 3
Volume Capacity	9 Litres [2.4 Gallons] x 3
Heats on Average	Over 180 square metres [1935 square feet]
Burn Time	8 - 13 hours (approx)
Minimum Room Size	330 cubic metres [11652 cubic feet] per fireplace
Minimum Wall Length	3,315mm [131in]

ESF.1.FX.122BY.BX2

Weight	169.3kg [372.5lbs] (incl. burner/s, glass charcoal, glass)
Burner	XL900 x 2
Volume Capacity	9 Litres [2.4 Gallons] x 2
Heats on Average	Over 120 square metres [1290 square feet]
Burn Time	8 - 13 hours (approx)
Minimum Room Size	220 cubic metres [7768 cubic feet] per fireplace
Minimum Wall Length	3,315mm [131in]

ESF.1.FX.122BY.BXL ESF.1.FX.122BY.BXR

Weight	176.7kg [388.7lbs] (incl. burner/s, glass charcoal, glass)
Burner	XL1200 x 2
Volume Capacity	10 Litres [2.6 Gallons] x 2
Heats on Average	Over 130 square metres [1400 square feet]
Burn Time	9 - 14 hours (approx)
Minimum Room Size	230 cubic metres [8122 cubic feet] per fireplace
Minimum Wall Length	3,315mm [131in]

Physical model dimensions should be verified against cut out dimensions BEFORE installation begins to confirm tolerances align.

These values are indicative only and may vary depending on the model purchased, installation, and the seasonal resource used to manufacture e-NRG.

BAY FIREPLACES

Application	Indoor & Outdoor
Materials	Mild Steel (Zinc Sealed), Toughened Glass, Stainless Steel & Glass Charcoal as Decorative Media
Colours	Black Firebox, Stainless Steel Burner/s
Fuel Type	e-NRG Bioethanol

FLEX140

ESF.1.FX.140BY.BX2

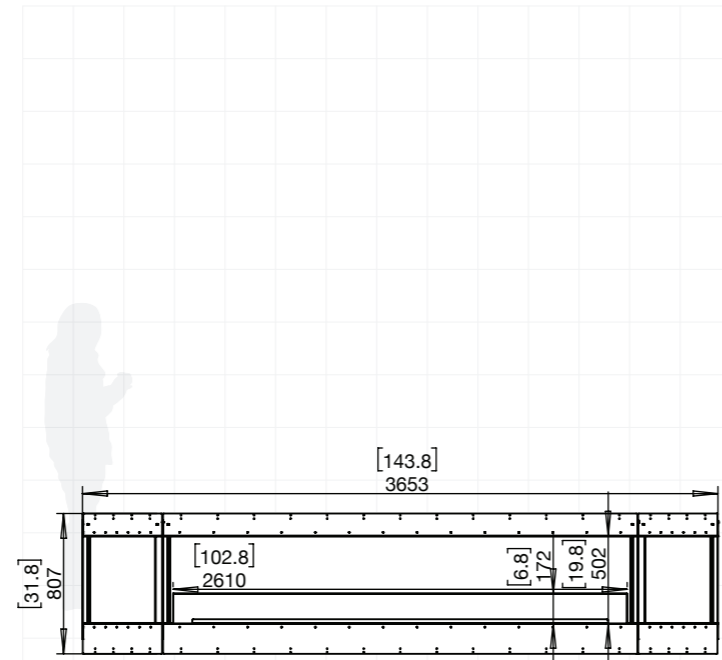
Weight	200.3kg [440.7lbs] (incl. burner/s, glass charcoal, glass)
Burner	XL1200 x 2
Volume Capacity	10 Litres [2.6 Gallons] x 2
Heats on Average	Over 130 square metres [1400 square feet]
Burn Time	9 - 14 hours (approx)
Minimum Room Size	230 cubic metres [8122 cubic feet] per fireplace
Minimum Wall Length	3,775mm [149in]

ESF.1.FX.140BY.BXL ESF.1.FX.140BY.BXR

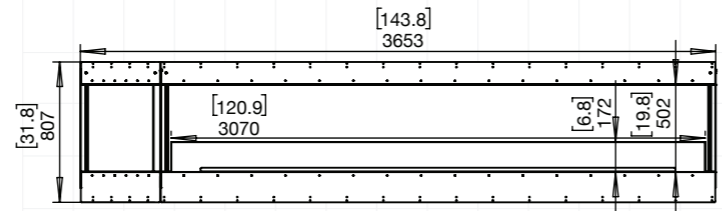
Weight	195.6kg [430.3lbs] (incl. burner/s, glass charcoal, glass)
Burner	XL900 x 3
Volume Capacity	9 Litres [2.4 Gallons] x 3
Heats on Average	Over 180 square metres [1935 square feet]
Burn Time	8 - 13 hours (approx)
Minimum Room Size	330 cubic metres [11652 cubic feet] per fireplace
Minimum Wall Length	3,775mm [149in]

Physical model dimensions should be verified against cut out dimensions BEFORE installation begins to confirm tolerances align.

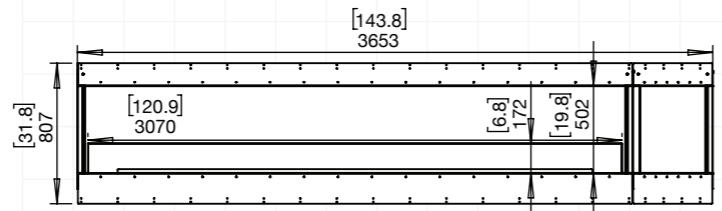
These values are indicative only and may vary depending on the model purchased, installation, and the seasonal resource used to manufacture e-NRG.



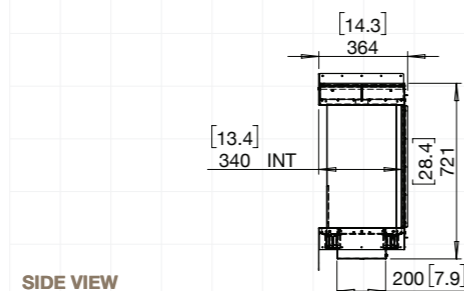
140BY.BX2 (LEFT & RIGHT DECORATIVE BOXES)



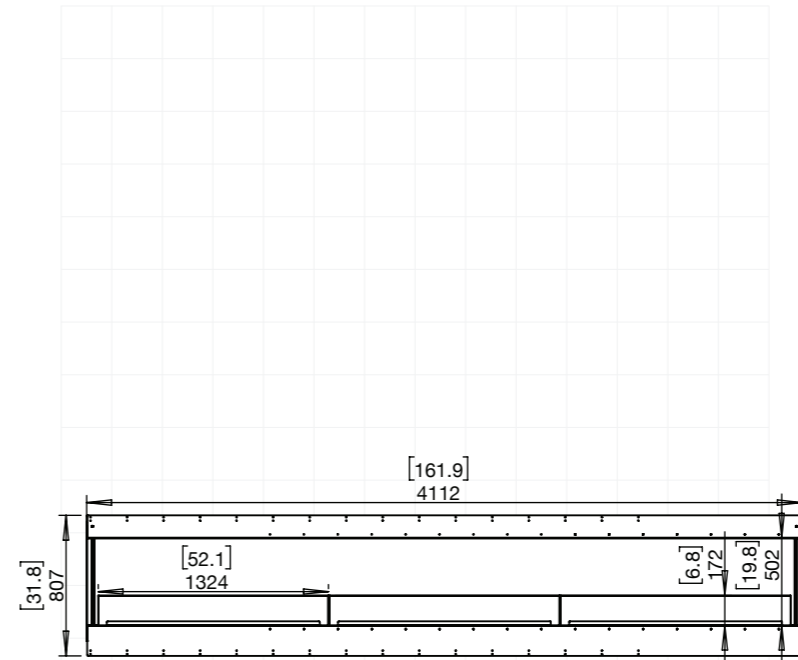
140BY.BXL (LEFT DECORATIVE BOX)



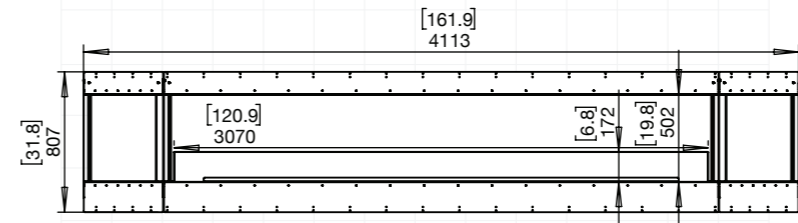
140BY.BXR (RIGHT DECORATIVE BOX)



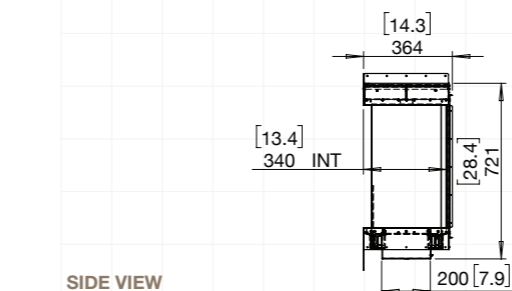
SIDE VIEW



158BY (FLAME ONLY)



158BY.BX2 (LEFT & RIGHT DECORATIVE BOXES)



SIDE VIEW

BAY FIREPLACES

Application	Indoor & Outdoor
Materials	Mild Steel (Zinc Sealed), Toughened Glass, Stainless Steel & Glass Charcoal as Decorative Media
Colours	Black Firebox, Stainless Steel Burner/s
Fuel Type	e-NRG Bioethanol

FLEX158

ESF.1.FX.158BY

Weight	228.8kg [503.4lbs] (incl. burner/s, glass charcoal, glass)
Burner	XL1200 x 3
Volume Capacity	10 Litres [2.6 Gallons] x 3
Heats on Average	Over 195 square metres [2100 square feet]
Burn Time	9 - 14 hours (approx)
Minimum Room Size	345 cubic metres [12183 cubic feet] per fireplace
Minimum Wall Length	4,235mm [167in]

ESF.1.FX.158BY.BX2

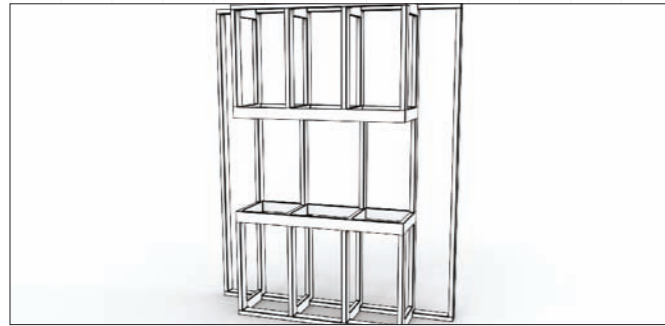
Weight	219.3kg [482.5lbs] (incl. burner/s, glass charcoal, glass)
Burner	XL900 x 3
Volume Capacity	9 Litres [2.4 Gallons] x 3
Heats on Average	Over 180 square metres [1935 square feet]
Burn Time	8 - 13 hours (approx)
Minimum Room Size	330 cubic metres [11652 cubic feet] per fireplace
Minimum Wall Length	4,235mm [167in]

w

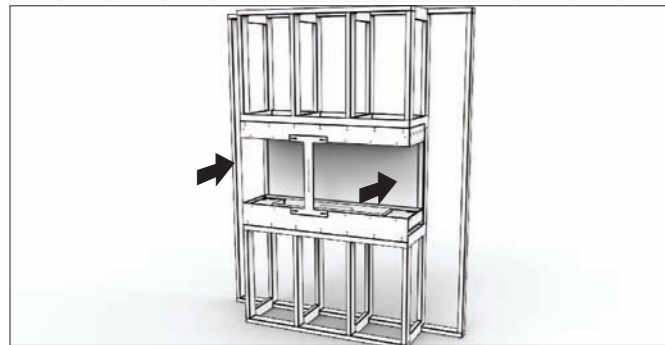
FLEX BAY FIREPLACE INDICATIVE INSTALL

GUIDE ONLY - MUST READ THE INSTRUCTIONS INCLUDED WITH THE MODEL

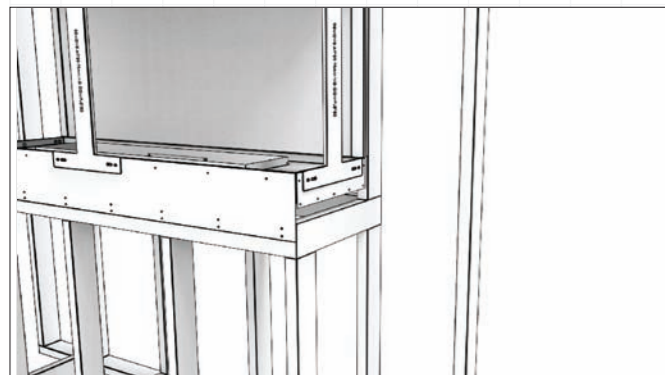
1. Construct a main wall framework. The base of the frame can be a solid bench/platform, which will assist in leveling up the appliance when in position.



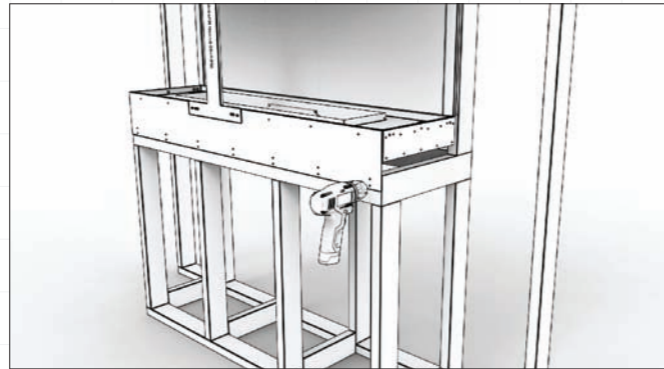
2. Slide the appliance inside the framing cavity (the base of the appliance can sit directly on top of the 2 x 4 framing material). The appliance is shipped with red stability bracket(s) installed on the open side(s) to keep the appliance square while in transport and during installation. Keep the bracket(s) on while framing up the setting to assist in minimising movement of the appliance.



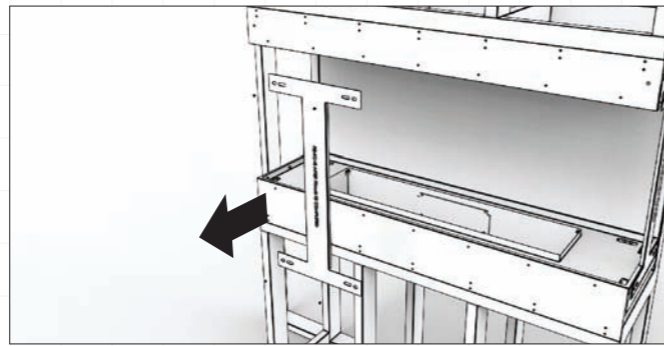
3. Ensure that the left and right side edges of the appliance are flush to the frame-work studs.



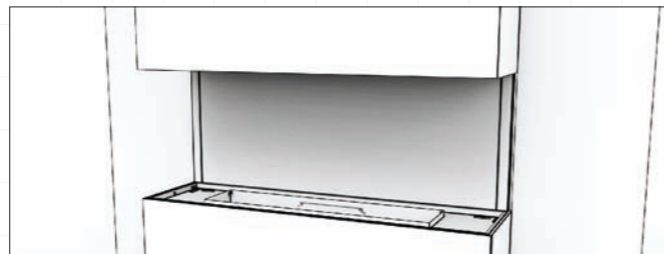
4. Secure the appliance to the framework with screws using the existing mounting holes on the appliance flanges. Make sure that the appliance is level before securing it in place.



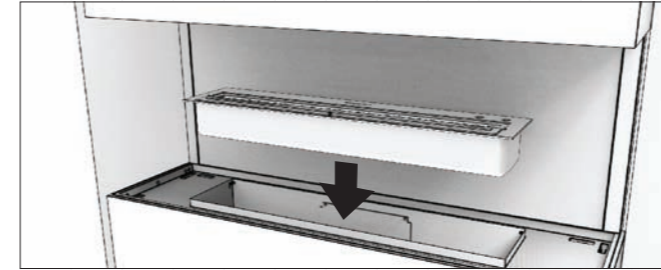
5. Remove the red stability brackets.



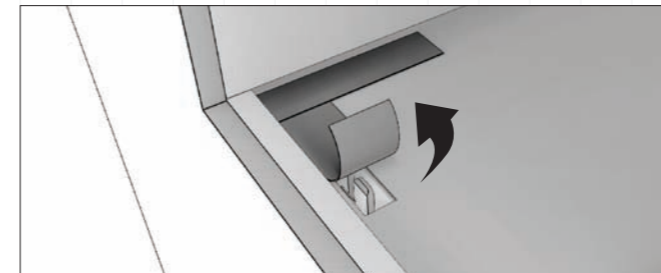
6. Complete the construction by finishing the wall paneling around the appliance. (See section on **FINISHING INSTRUCTIONS** and ensure that you fully understand where non combustible materials must be used.)



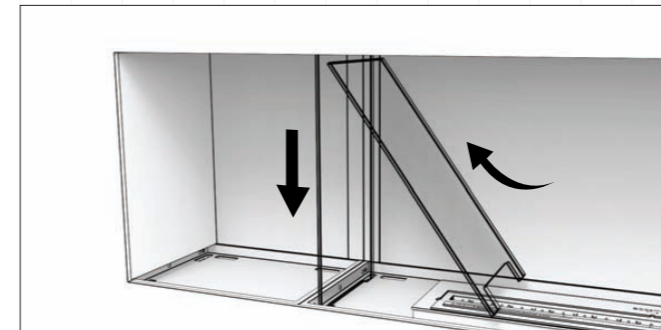
7. Place the burner into position.



8. Remove the dust protective tape that covers the windscreen mounting slots.



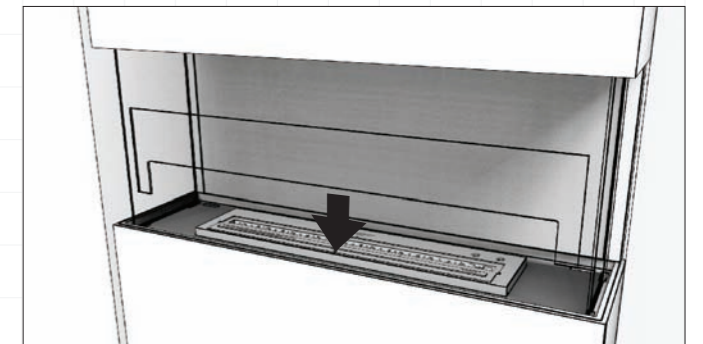
9. If your appliance includes a decorative box on the left / right or both, insert the internal glass panel by feeding the glass upwards into the slot then pushing down into the positioned clips.



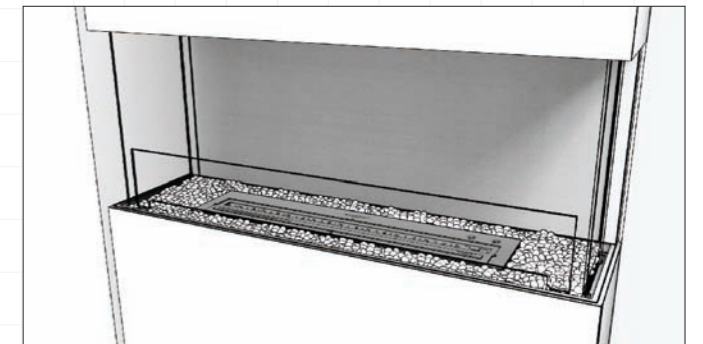
10. Insert the full height glass panel into one of the open end side by inserting the glass into the opening at the top of the appliance, and lowering it into the slots in the base until it bottoms out into place. Repeat the same for the other side of the appliance.



11. Install the windscreen by inserting the two ends into appropriate slots in the appliance. Use a small amount of pressure to push the windscreen in place until it bottoms out into the hidden glass clips.



12. Spread the black glass charcoal evenly around the appliance tray.



BUILT-IN

FLEX PENINSULA FIREPLACES



Model: FLEX158PN.BX2

Clean Burning
Fueled by clean burning e-NRG bioethanol

Toughened Safety Screen
Your Flex Fireplace features toughened glass to stabilise the flame in windy conditions and provide an additional layer of safety and comfort. The Integrated windscreen sits flush behind the frame.

Room Divider Application
Peninsula fireplaces feature three open sides - view the flame from the front, back and open side.

Global Compliance
All burners are UL Listed in accordance with MH46715/Subject1370 in the USA, Certified by BSI in accordance with EN16647, and comply with the ACCC Safety Mandate for Australia.

Decorative Side Box
When a decorative box is added, the panel between the standard fire and the decorative box is glass.

Luxurious Finish
Available in a timeless black finish, Flex Fireplaces come with stainless steel burners and black glass charcoal.

Built to Last a Lifetime
Zinc sealed steel construction powder coated with super hi-temp black paint prevents rusting so all fireplaces can be used both indoors or outdoors.

Decorative Steel Log Sets
EcoSmart Fire offers non-combustible logs as an optional, eye-catching accessory for models with the decorative side box. Made from stainless steel with a patina finish, they are available in different finishes.

Zero Clearance
Self-contained, zero clearance construction allows your Flex fireplace to be framed into wood or metal studs, providing installation freedom and flexibility for builders, architects, interior designers, landscapers and homeowners.

OPTIONAL ACCESSORIES



Decorative Steel Logs

PENINSULA FIREPLACES

FLEX18
Minimum Wall Length 635mm [25in]



18PN

FLEX32
Minimum Wall Length 1,015 mm [40in]



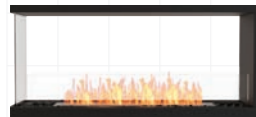
32PN

FLEX42
Minimum Wall Length 1,270mm [50in]

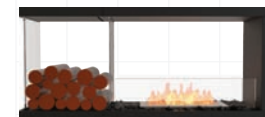


42PN

FLEX50
Minimum Wall Length 1,475mm [58in]



50PN

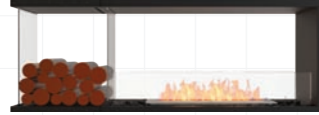


50PN.BXL



50PN.BXR

FLEX60
Minimum Wall Length 1,730mm [68in]



60PN.BXL



60PN.BXR

FLEX68
Minimum Wall Length 1,935mm [76in]



68PN



68PN.BXL



68PN.BXR



68PN.BX2

FLEX78
Minimum Wall Length 2,190mm [86in]



78PN

FLEX86
Minimum Wall Length 2,395mm [94in]



86PN



86PN.BXL



86PN.BXR



86PN.BX2

FLEX104
Minimum Wall Length 2,855mm [112in]



104PN



104PN.BXL



104PN.BXR

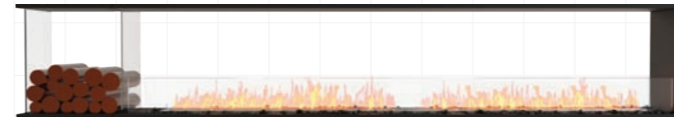


104PN.BX2

FLEX122
Minimum Wall Length 3,315mm [131in]



122PN



122PN.BXL



122PN.BX2

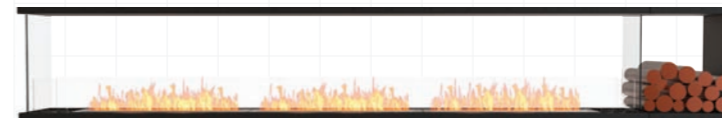


122PN.BXR

FLEX140
Minimum Wall Length 3,775mm [149in]



140PN.BXL



140PN.BXR



140PN.BX2

Peninsula can be rotated so side glass panel appears on the right

FLEX158
Minimum Wall Length 4,235mm [167in]



158PN



158PN.BX2

PENINSULA FIREPLACES

Application	Indoor & Outdoor
Materials	Mild Steel (Zinc Sealed), Toughened Glass, Stainless Steel & Glass Charcoal as Decorative Media
Colours	Black Firebox, Stainless Steel Burner/s
Fuel Type	e-NRG Bioethanol

FLEX18

ESF.1.FX.18PN

Weight	34.2kg [75.2lbs] (Incl. burner/s, glass charcoal, glass)
Burner	AB3 x 1
Volume Capacity	2.5 Litres [0.7 Gallons]
Heats on Average (when used indoors)	Over 20 square metres [215 square feet]
Burn Time	8 - 11 hours (approx)
Minimum Room Size	40 cubic metres [1413 cubic feet] per fireplace.
Minimum Wall Length	635mm [25in]

FLEX32

ESF.1.FX.32PN

Weight	49.8kg [109.6lbs] (Incl. burner/s, glass charcoal, glass)
Burner	XL500 x 1
Volume Capacity	5 Litres [1.3 Gallons]
Heats on Average (when used indoors)	Over 40 square metres [430.6 square feet]
Burn Time	10 - 13 hours (approx)
Minimum Room Size	80 cubic metres [2825 cubic feet] per fireplace.
Minimum Wall Length	1,015mm [40in]

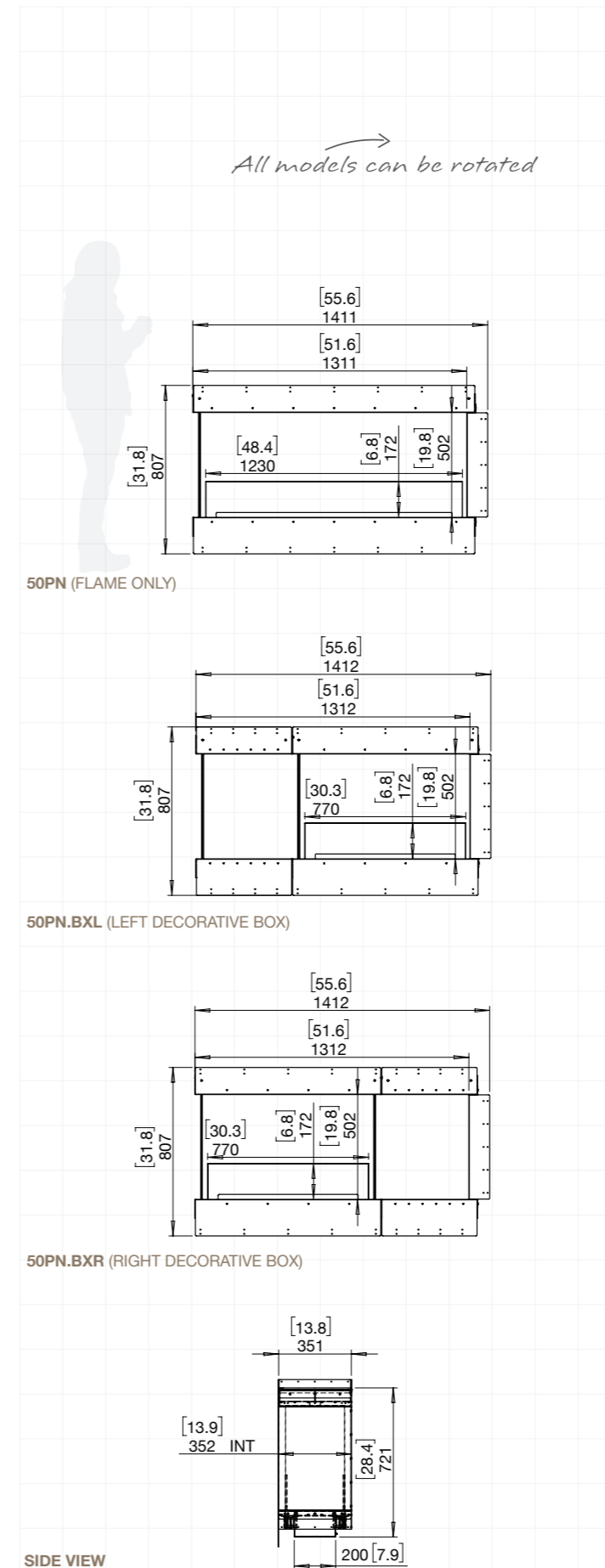
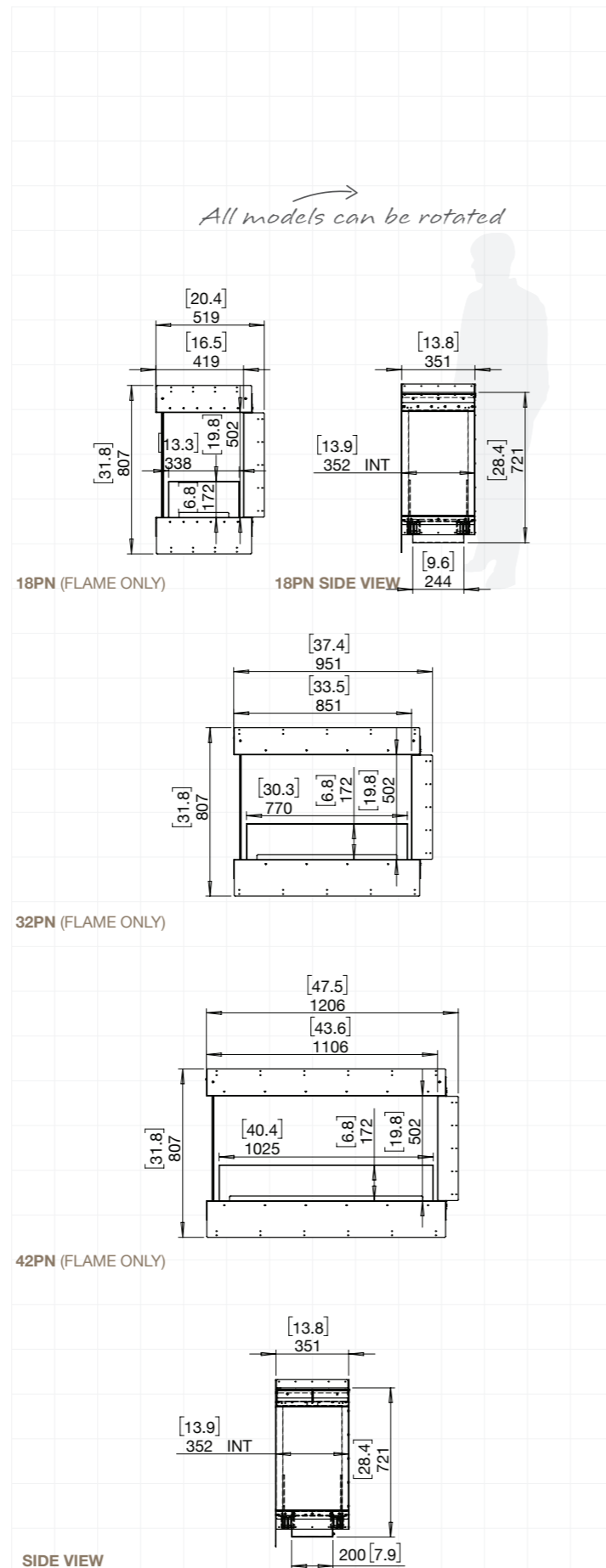
FLEX42

ESF.1.FX.42PN

Weight	64.7kg [142.3lbs] (Incl. burner/s, glass charcoal, glass)
Burner	XL700 x 1
Volume Capacity	7 Litres [1.8 Gallons]
Heats on Average (when used indoors)	Over 50 square metres [538 square feet]
Burn Time	9 - 12 hours (approx)
Minimum Room Size	90 cubic metres [3178 cubic feet] per fireplace.
Minimum Wall Length	1,270mm [50in]

Physical model dimensions should be verified against cut out dimensions BEFORE installation begins to confirm tolerances align.

These values are indicative only and may vary depending on the model purchased, installation, and the seasonal resource used to manufacture e-NRG.



PENINSULA FIREPLACES

Application	Indoor & Outdoor
Materials	Mild Steel (Zinc Sealed), Toughened Glass, Stainless Steel & Glass Charcoal as Decorative Media
Colours	Black Firebox, Stainless Steel Burner/s
Fuel Type	e-NRG Bioethanol

FLEX50

ESF.1.FX.50PN

Weight	59.1kg [130lbs] (Incl. burner/s, glass charcoal, glass)
Burner	XL900 x 1
Volume Capacity	9 Litres [2.4 Gallons]
Heats on Average (when used indoors)	Over 60 square metres [645 square feet]
Burn Time	8 - 13 hours (approx)
Minimum Room Size	110 cubic metres [3884 cubic feet] per fireplace.
Minimum Wall Length	1,475mm [58in]

ESF.1.FX.50PN.BXL
ESF.1.FX.50PN.BXR

Weight	73.2kg [161lbs] (Incl. burner/s, glass charcoal, glass)
Burner	XL500 x 1
Volume Capacity	5 Litres [1.3 Gallons]
Heats on Average (when used indoors)	Over 40 square metres [430.6 square feet]
Burn Time	10 - 13 hours (approx)
Minimum Room Size	80 cubic metres [2825 cubic feet] per fireplace.
Minimum Wall Length	1,475mm [58in]

Physical model dimensions should be verified against cut out dimensions BEFORE installation begins to confirm tolerances align.

These values are indicative only and may vary depending on the model purchased, installation, and the seasonal resource used to manufacture e-NRG.

PENINSULA FIREPLACES

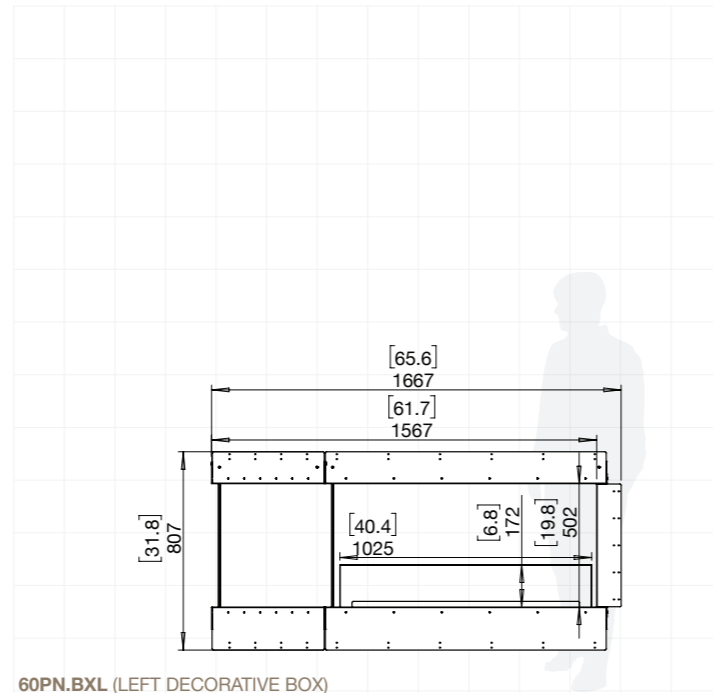
Application	Indoor & Outdoor
Materials	Mild Steel (Zinc Sealed), Toughened Glass, Stainless Steel & Glass Charcoal as Decorative Media
Colours	Black Firebox, Stainless Steel Burner/s
Fuel Type	e-NRG Bioethanol

FLEX60

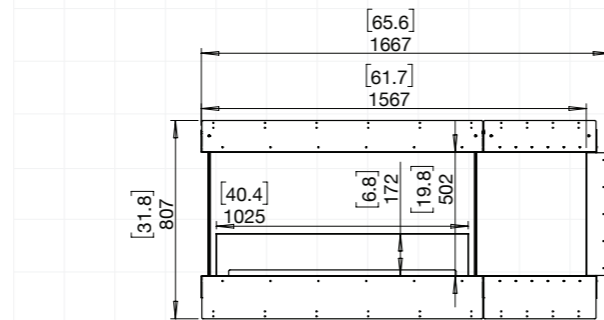
ESF.1.FX.60PN.BXL ESF.1.FX.60PN.BXR	
Weight	87.5kg [192.5lbs] (incl. burner/s, glass charcoal, glass)
Burner	XL700 x 1
Volume Capacity	7 Litres [1.8 Gallons]
Heats on Average (when used indoors)	Over 50 square metres [538 square feet]
Burn Time	9 - 12 hours (approx)
Minimum Room Size	90 cubic metres [3178 cubic feet] per fireplace.
Minimum Wall Length	1,730mm [68in]

Physical model dimensions should be verified against cut out dimensions BEFORE installation begins to confirm tolerances align.

These values are indicative only and may vary depending on the model purchased, installation, and the seasonal resource used to manufacture e-NRG.

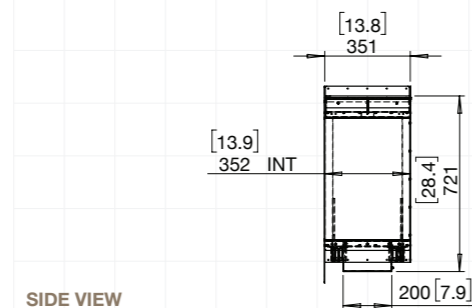


60PN.BXL (LEFT DECORATIVE BOX)

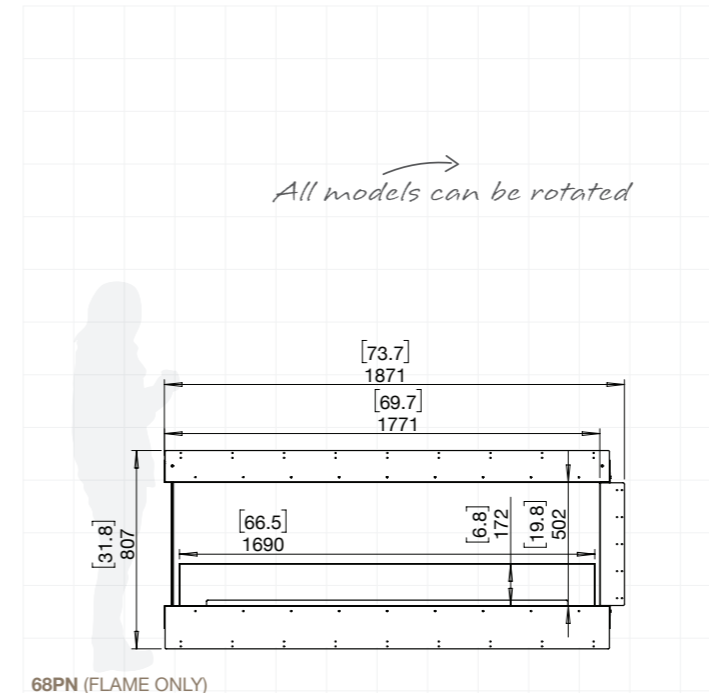


60PN.BXR (RIGHT DECORATIVE BOX)

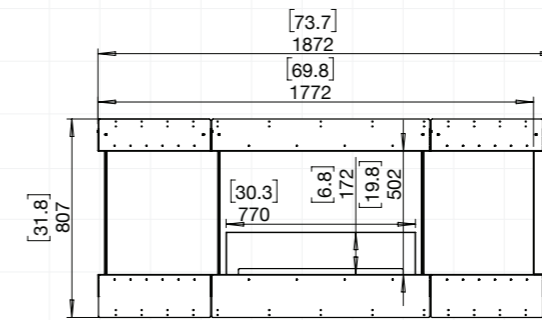
All models can be rotated



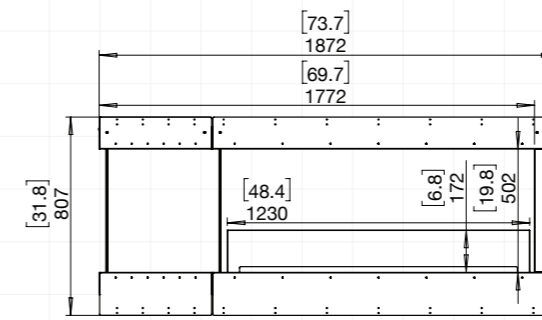
SIDE VIEW



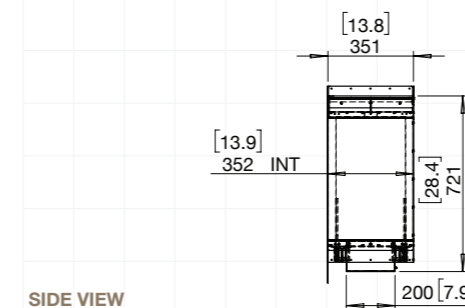
68PN (FLAME ONLY)



68PN.BX2 (LEFT & RIGHT DECORATIVE BOXES)



68PN.BXL (LEFT DECORATIVE BOX AS ILLUSTRATED)
68PN.BXR (RIGHT DECORATIVE BOX)



SIDE VIEW

All models can be rotated

PENINSULA FIREPLACES

Application	Indoor & Outdoor
Materials	Mild Steel (Zinc Sealed), Toughened Glass, Stainless Steel & Glass Charcoal as Decorative Media
Colours	Black Firebox, Stainless Steel Burner/s
Fuel Type	e-NRG Bioethanol

FLEX68

ESF.2.FX.68PN	
Weight	102.8kg [226.2lbs] (incl. burner/s, glass charcoal, glass)
Burner	XL1200 x 1
Volume Capacity	10 Litres [2.6 Gallons] x 1
Heats on Average	Over 65 square metres [700 square feet]
Burn Time	9 - 14 hours (approx)
Minimum Room Size	115 cubic metres [4061 cubic feet] per fireplace.
Minimum Wall Length	1,935mm [76in]

ESF.1.FX.68PN.BX2

Weight	96.1kg [211.4lbs] (incl. burner/s, glass charcoal, glass)
Burner	XL500 x 1
Volume Capacity	5 Litres [1.3 Gallons]
Heats on Average	Over 40 square metres [430.6 square feet]
Burn Time	10 - 13 hours (approx)
Minimum Room Size	80 cubic metres [2825 cubic feet] per fireplace.
Minimum Wall Length	1,935mm [76in]

ESF.1.FX.68PN.BXL ESF.1.FX.68PN.BXR

Weight	83.9kg [184.6lbs] (incl. burner/s, glass charcoal, glass)
Burner	XL900 x 1
Volume Capacity	9 Litres [2.4 Gallons]
Heats on Average	Over 60 square metres [645 square feet]
Burn Time	8 - 13 hours (approx)
Minimum Room Size	110 cubic metres [3884 cubic feet] per fireplace.
Minimum Wall Length	1,935mm [76in]

Physical model dimensions should be verified against cut out dimensions BEFORE installation begins to confirm tolerances align.

These values are indicative only and may vary depending on the model purchased, installation, and the seasonal resource used to manufacture e-NRG.

PENINSULA FIREPLACES

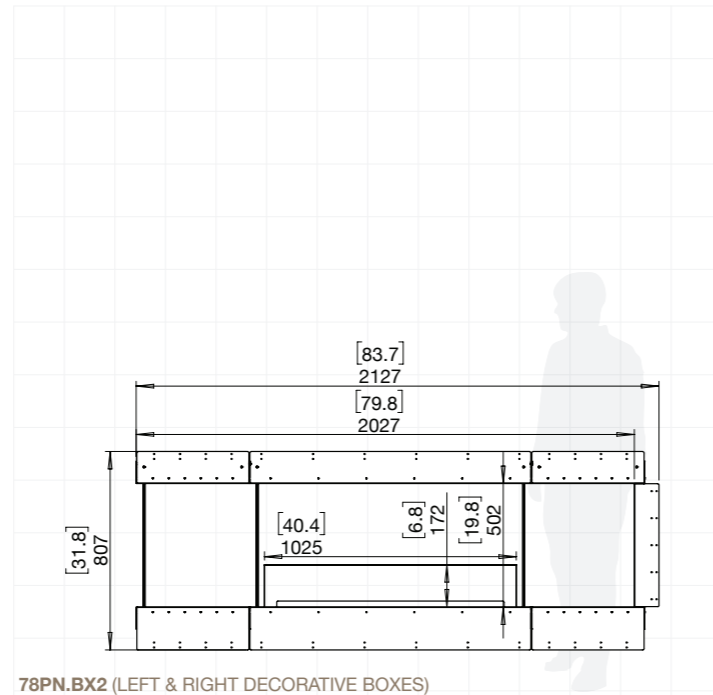
Application	Indoor & Outdoor
Materials	Mild Steel (Zinc Sealed), Toughened Glass, Stainless Steel & Glass Charcoal as Decorative Media
Colours	Black Firebox, Stainless Steel Burner/s
Fuel Type	e-NRG Bioethanol

FLEX78

ESF.1.FX.78PN.BX2	
Weight	110.4kg [242.9lbs] (incl. burner/s, glass charcoal, glass)
Burner	XL700 x 1
Volume Capacity	7 Litres [1.8 Gallons]
Heats on Average (when used indoors)	Over 50 square metres [538 square feet]
Burn Time	9 - 12 hours (approx)
Minimum Room Size	90 cubic metres [3178 cubic feet] per fireplace.
Minimum Wall Length	2,190mm [86in]

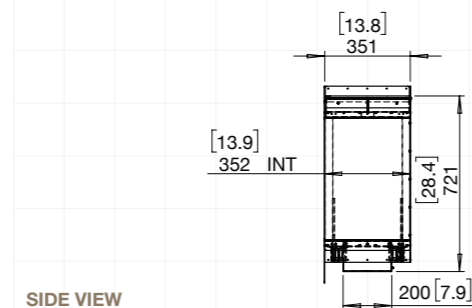
Physical model dimensions should be verified against cut out dimensions BEFORE installation begins to confirm tolerances align.

These values are indicative only and may vary depending on the model purchased, installation, and the seasonal resource used to manufacture e-NRG.

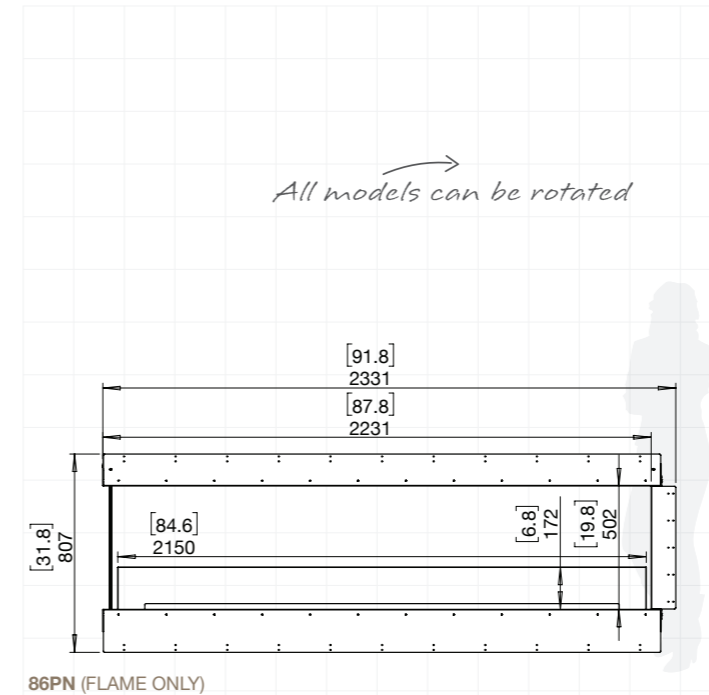


78PN.BX2 (LEFT & RIGHT DECORATIVE BOXES)

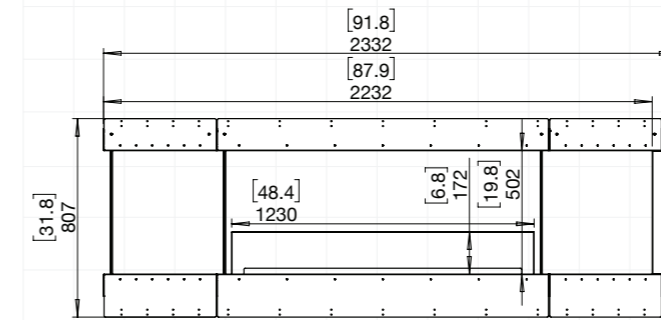
Models can be rotated



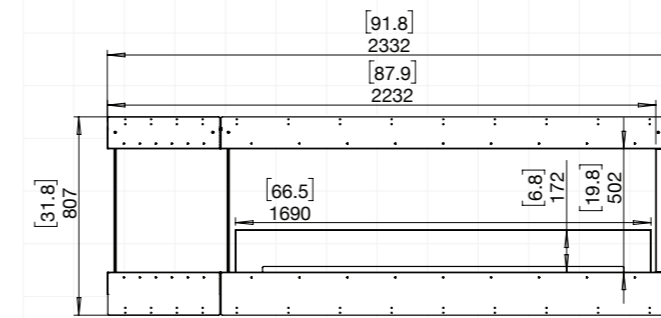
SIDE VIEW



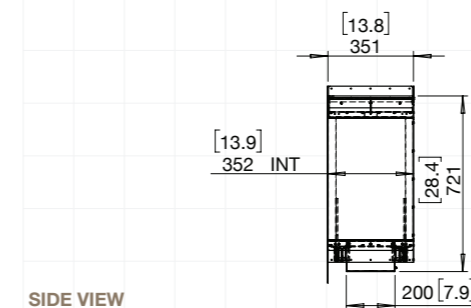
86PN (FLAME ONLY)



86PN.BX2 (LEFT & RIGHT DECORATIVE BOXES)



86PN.BXL (LEFT DECORATIVE BOX AS ILLUSTRATED)
86PN.BXR (RIGHT DECORATIVE BOX)



SIDE VIEW

PENINSULA FIREPLACES

Application	Indoor & Outdoor
Materials	Mild Steel (Zinc Sealed), Toughened Glass, Stainless Steel & Glass Charcoal as Decorative Media
Colours	Black Firebox, Stainless Steel Burner/s
Fuel Type	e-NRG Bioethanol

FLEX86

ESF.1.FX.86PN	
Weight	102.5kg [225.5lbs] (incl. burner/s, glass charcoal, glass)
Burner	XL900 x 2
Volume Capacity	9 Litres [2.4 Gallons] x 2
Heats on Average	Over 120 square metres [1290 square feet]
Burn Time	8 - 13 hours (approx)
Minimum Room Size	220 cubic metres [7768 cubic feet] per fireplace
Minimum Wall Length	2,395mm [94in]

ESF.1.FX.86PN.BX2	
Weight	108.7kg [239.1lbs] (incl. burner/s, glass charcoal, glass)
Burner	XL900 x 1
Volume Capacity	9 Litres [2.4 Gallons]
Heats on Average	Over 60 square metres [645 square feet]
Burn Time	8 - 13 hours (approx)
Minimum Room Size	110 cubic metres [3884 cubic feet] per fireplace
Minimum Wall Length	2,395mm [94in]

ESF.2.FX.86PN.BXL	
ESF.2.FX.86PN.BXR	
Weight	124.1kg [273lbs] (incl. burner/s, glass charcoal, glass)
Burner	XL1200 x 1
Volume Capacity	10 Litres [2.6 Gallons] x 1
Heats on Average	Over 65 square metres [700 square feet]
Burn Time	9 - 14 hours (approx)
Minimum Room Size	115 cubic metres [4061 cubic feet] per fireplace
Minimum Wall Length	2,395mm [94in]

Physical model dimensions should be verified against cut out dimensions BEFORE installation begins to confirm tolerances align.

These values are indicative only and may vary depending on the model purchased, installation, and the seasonal resource used to manufacture e-NRG.

PENINSULA FIREPLACES

Application	Indoor & Outdoor
Materials	Mild Steel (Zinc Sealed), Toughened Glass, Stainless Steel & Glass Charcoal as Decorative Media
Colours	Black Firebox, Stainless Steel Burner/s
Fuel Type	e-NRG Bioethanol

FLEX104

ESF.1.FX.104PN

Weight	153.3kg [337.3lbs] (incl. burner/s, glass charcoal, glass)
Burner	XL1200 x 2
Volume Capacity	10 Litres [2.6 Gallons] x 2
Heats on Average	Over 130 square metres [1400 square feet]
Burn Time	9 - 14 hours (approx)
Minimum Room Size	230 cubic metres [8122 cubic feet] per fireplace
Minimum Wall Length	2,855mm [112in]

ESF.2.FX.104PN.BX2

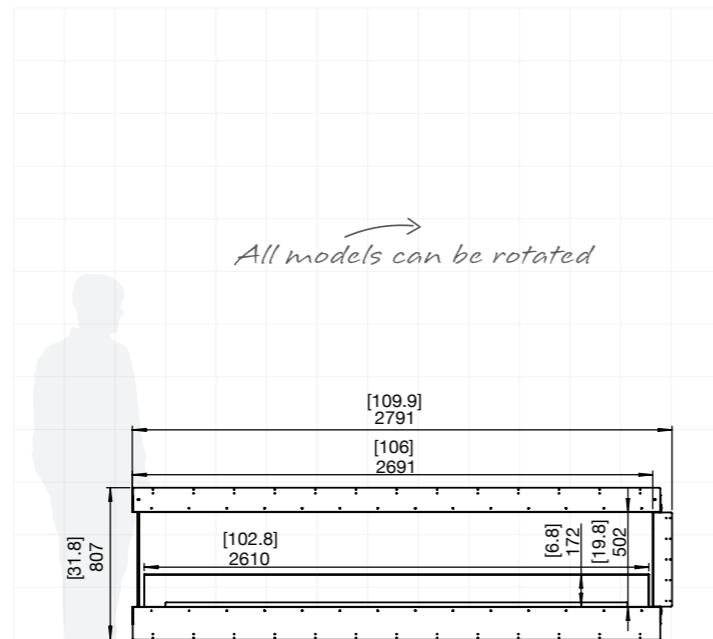
Weight	147.3kg [324.1lbs] (incl. burner/s, glass charcoal, glass)
Burner	XL1200 x 1
Volume Capacity	10 Litres [2.6 Gallons] x 1
Heats on Average	Over 65 square metres [700 square feet]
Burn Time	9 - 14 hours (approx)
Minimum Room Size	115 cubic metres [4061 cubic feet] per fireplace
Minimum Wall Length	2,855mm [112in]

ESF.1.FX.104PN.BXL ESF.1.FX.104PN.BXR

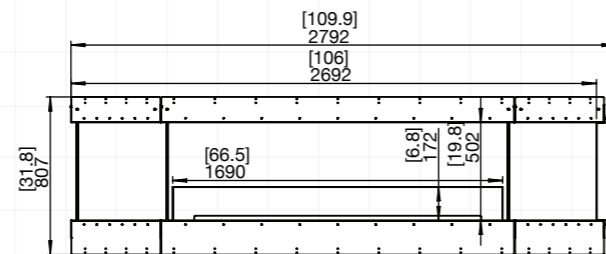
Weight	127.3kg [280.1lbs] (incl. burner/s, glass charcoal, glass)
Burner	XL900 x 2
Volume Capacity	9 Litres [2.4 Gallons] x 2
Heats on Average	Over 120 square metres [1290 square feet]
Burn Time	8 - 13 hours (approx)
Minimum Room Size	220 cubic metres [7768 cubic feet] per fireplace
Minimum Wall Length	2,855mm [112in]

Physical model dimensions should be verified against cut out dimensions BEFORE installation begins to confirm tolerances align.

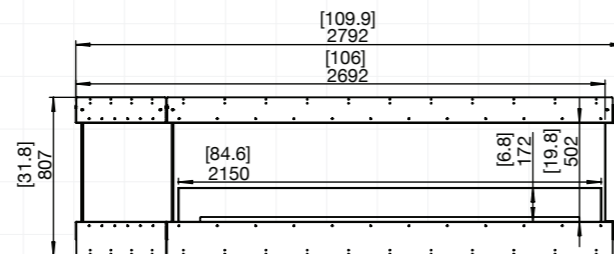
These values are indicative only and may vary depending on the model purchased, installation, and the seasonal resource used to manufacture e-NRG.



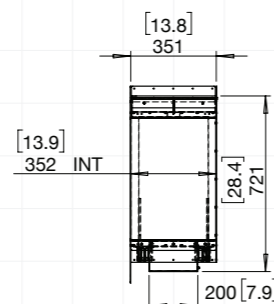
104PN (FLAME ONLY)



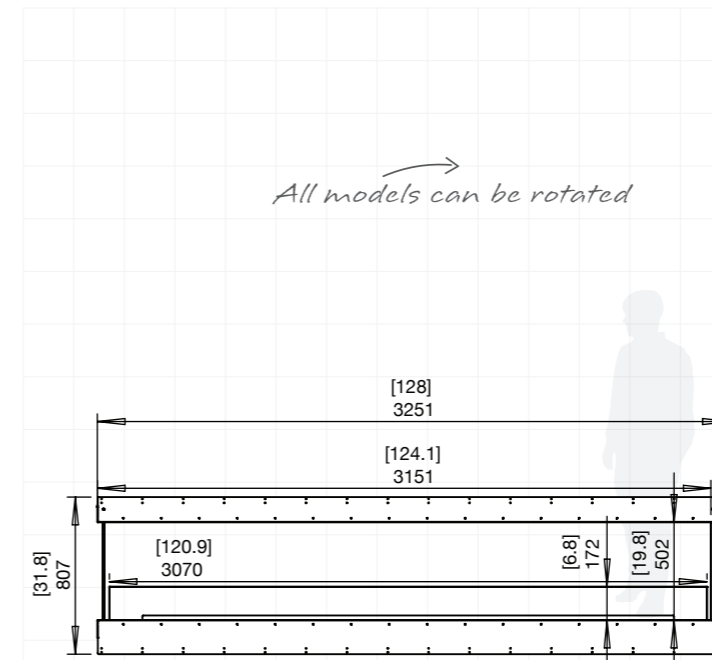
104PN.BX2 (LEFT & RIGHT DECORATIVE BOXES)



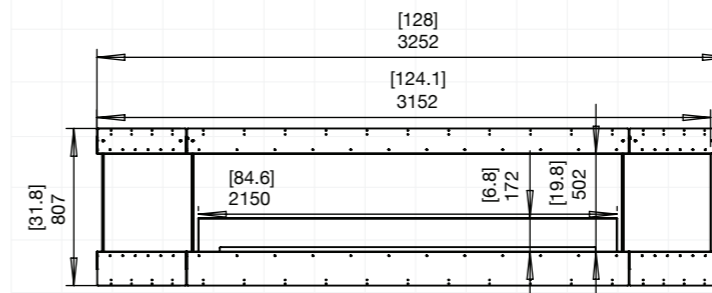
104PN.BXL (LEFT DECORATIVE BOX AS ILLUSTRATED)
104PN.BXR (RIGHT DECORATIVE BOX)



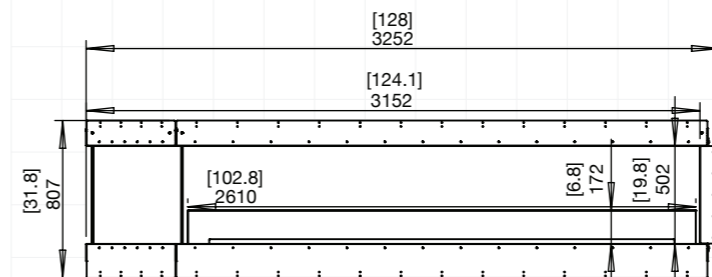
SIDE VIEW



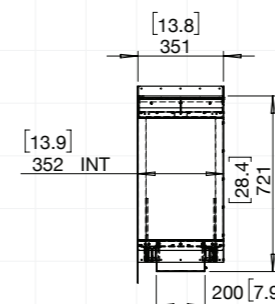
122PN (FLAME ONLY)



122PN.BX2 (LEFT & RIGHT DECORATIVE BOXES)



122PN.BXL (LEFT DECORATIVE BOX AS ILLUSTRATED)
122PN.BXR (RIGHT DECORATIVE BOX)



SIDE VIEW

PENINSULA FIREPLACES

Application	Indoor & Outdoor
Materials	Mild Steel (Zinc Sealed), Toughened Glass, Stainless Steel & Glass Charcoal as Decorative Media
Colours	Black Firebox, Stainless Steel Burner/s
Fuel Type	e-NRG Bioethanol

FLEX122

ESF.1.FX.122PN

Weight	145.8kg [320.8lbs] (incl. burner/s, glass charcoal, glass)
Burner	XL900 x 3
Volume Capacity	9 Litres [2.4 Gallons] x 3
Heats on Average	Over 180 square metres [1935 square feet]
Burn Time	8 - 13 hours (approx)
Minimum Room Size	330 cubic metres [11652 cubic feet] per fireplace
Minimum Wall Length	3,315mm [131in]

ESF.1.FX.122PN.BX2

Weight	152.1kg [334.6lbs] (incl. burner/s, glass charcoal, glass)
Burner	XL900 x 2
Volume Capacity	9 Litres [2.4 Gallons] x 2
Heats on Average	Over 120 square metres [1290 square feet]
Burn Time	8 - 13 hours (approx)
Minimum Room Size	220 cubic metres [7768 cubic feet] per fireplace
Minimum Wall Length	3,315mm [131in]

ESF.1.FX.122PN.BXL ESF.1.FX.122PN.BXR

Weight	176.2kg [387.6lbs] (incl. burner/s, glass charcoal, glass)
Burner	XL1200 x 2
Volume Capacity	10 Litres [2.6 Gallons] x 2
Heats on Average	Over 130 square metres [1400 square feet]
Burn Time	9 - 14 hours (approx)
Minimum Room Size	230 cubic metres [8122 cubic feet] per fireplace
Minimum Wall Length	3,315mm [131in]

Physical model dimensions should be verified against cut out dimensions BEFORE installation begins to confirm tolerances align.

These values are indicative only and may vary depending on the model purchased, installation, and the seasonal resource used to manufacture e-NRG.

PENINSULA FIREPLACES

Application	Indoor & Outdoor
Materials	Mild Steel (Zinc Sealed), Toughened Glass, Stainless Steel & Glass Charcoal as Decorative Media
Colours	Black Firebox, Stainless Steel Burner/s
Fuel Type	e-NRG Bioethanol

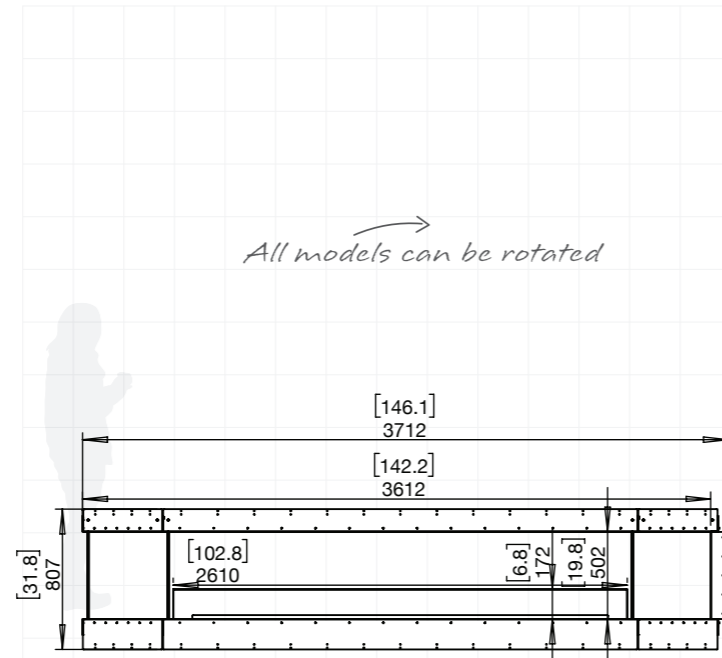
FLEX140

ESF.1.FX.140PN.BX2	
Weight	198.7kg [437.1lbs] (incl. burner/s, glass charcoal, glass)
Burner	XL1200 x 2
Volume Capacity	10 Litres [2.6 Gallons] x 2
Heats on Average	Over 130 square metres [1400 square feet]
Burn Time	9 - 14 hours (approx)
Minimum Room Size	230 cubic metres [8122 cubic feet] per fireplace
Minimum Wall Length	3,775mm [149in]

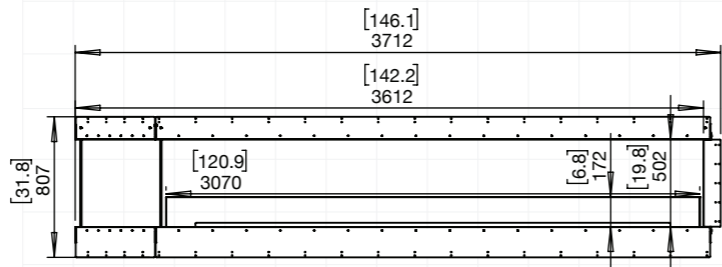
ESF.1.FX.140PN.BXL	
ESF.1.FX.140PN.BXR	
Weight	170.6kg [375.3lbs] (incl. burner/s, glass charcoal, glass)
Burner	XL900 x 3
Volume Capacity	9 Litres [2.4 Gallons] x 3
Heats on Average	Over 180 square metres [1935 square feet]
Burn Time	8 - 13 hours (approx)
Minimum Room Size	330 cubic metres [11652 cubic feet] per fireplace
Minimum Wall Length	3,775mm [149in]

Physical model dimensions should be verified against cut out dimensions BEFORE installation begins to confirm tolerances align.

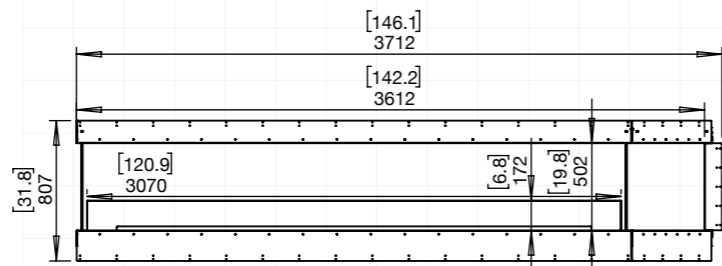
These values are indicative only and may vary depending on the model purchased, installation, and the seasonal resource used to manufacture e-NRG.



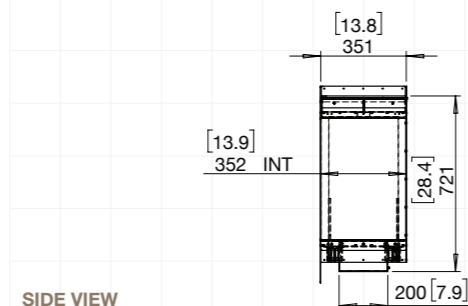
140PN.BX2 (LEFT & RIGHT DECORATIVE BOXES)



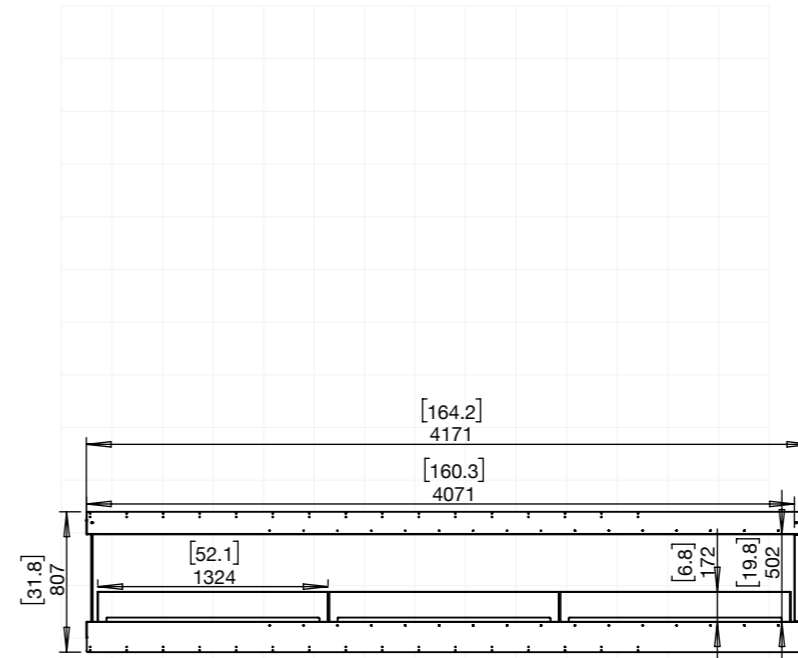
140PN.BXL (LEFT DECORATIVE BOX)



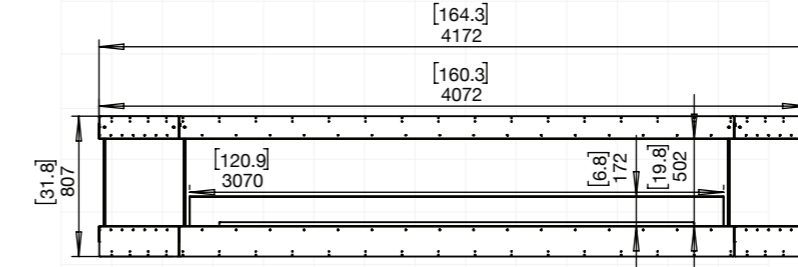
140PN.BXR (RIGHT DECORATIVE BOX)



SIDE VIEW

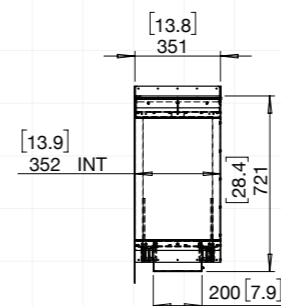


158PN (FLAME ONLY)



158PN.BX2 (LEFT & RIGHT DECORATIVE BOXES)

All models can be rotated



SIDE VIEW

PENINSULA FIREPLACES

Application	Indoor & Outdoor
Materials	Mild Steel (Zinc Sealed), Toughened Glass, Stainless Steel & Glass Charcoal as Decorative Media
Colours	Black Firebox, Stainless Steel Burner/s
Fuel Type	e-NRG Bioethanol

FLEX158

ESF.1.FX.158PN	
Weight	231.8kg [510lbs] (incl. burner/s, glass charcoal, glass)
Burner	XL1200 x 3
Volume Capacity	10 Litres [2.6 Gallons] x 3
Heats on Average	Over 195 square metres [2100 square feet]
Burn Time	9 - 14 hours (approx)
Minimum Room Size	345 cubic metres [12183 cubic feet] per fireplace
Minimum Wall Length	4,235mm [167in]

ESF.1.FX.158PN.BX2	
Weight	195.4kg [429.9lbs] (incl. burner/s, glass charcoal, glass)
Burner	XL900 x 3
Volume Capacity	9 Litres [2.4 Gallons] x 3
Heats on Average	Over 180 square metres [1935 square feet]
Burn Time	8 - 13 hours (approx)
Minimum Room Size	330 cubic metres [11652 cubic feet] per fireplace
Minimum Wall Length	4,235mm [167in]

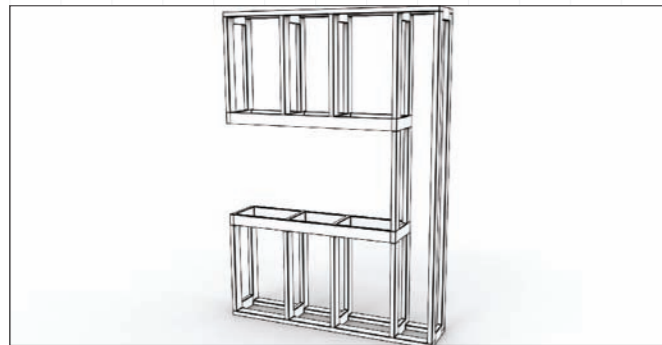
Physical model dimensions should be verified against cut out dimensions BEFORE installation begins to confirm tolerances align.

These values are indicative only and may vary depending on the model purchased, installation, and the seasonal resource used to manufacture e-NRG.

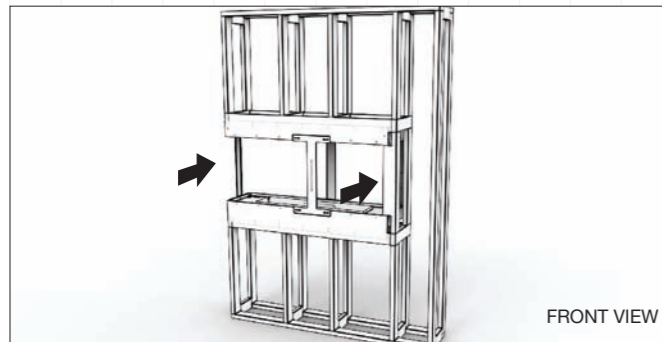
FLEX PENINSULA FIREPLACE INDICATIVE INSTALL

GUIDE ONLY - MUST READ THE INSTRUCTIONS INCLUDED WITH THE MODEL

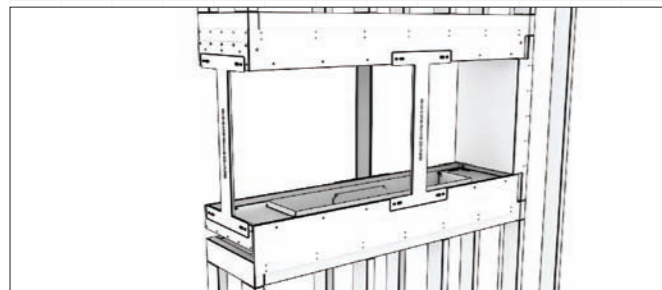
1. Construct a main wall framework. The base of the frame can be a solid bench/platform, which will assist in leveling up the appliance when in position.



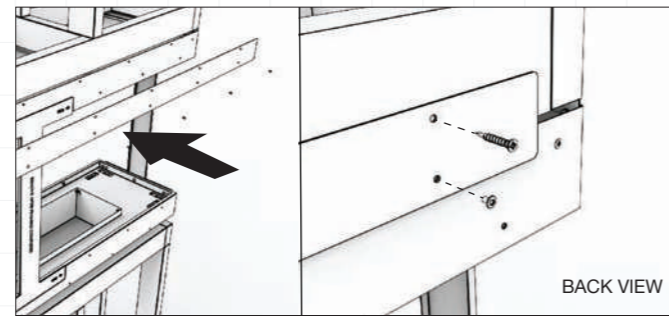
2. Slide the appliance into the framing cavity (the bottom tray can sit directly on top of the frame). The appliance is shipped with red stability bracket(s) on the open sides to keep the appliance square while in transport and during installation. Keep these brackets on while framing up the setting to assist in minimizing movement of the appliance.



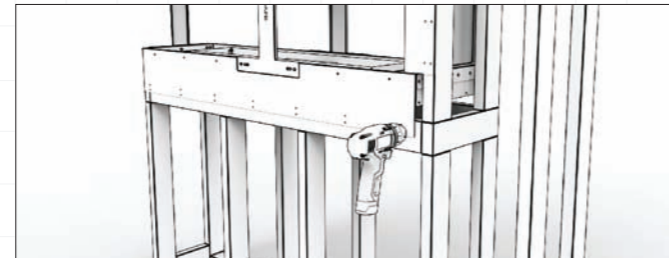
3. Ensure that the back and open side edge of the appliance are flush with frame studs.



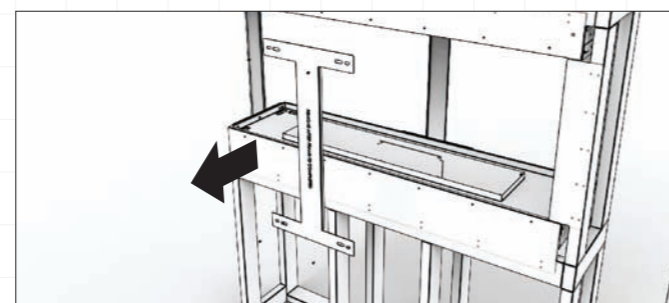
4. Align the flange extension panel with the threaded holes on the appliance. Screw it into place using the included screws (bottom row onto appliance, top row onto framing material) to secure it into position.



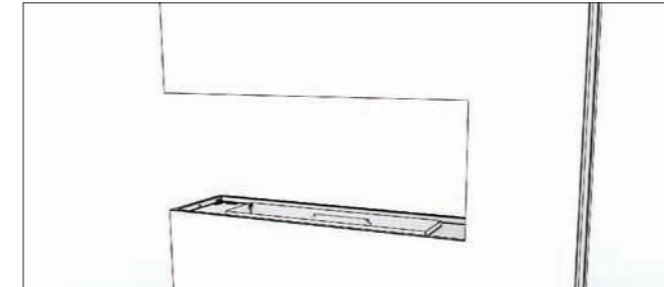
5. Fix the appliance to the framework with screws using the existing mounting holes on the appliance flanges. Make sure that the appliance is level before securing it in place.



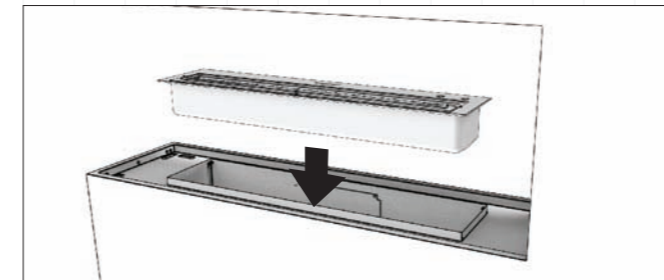
6. Remove the red stability brackets.



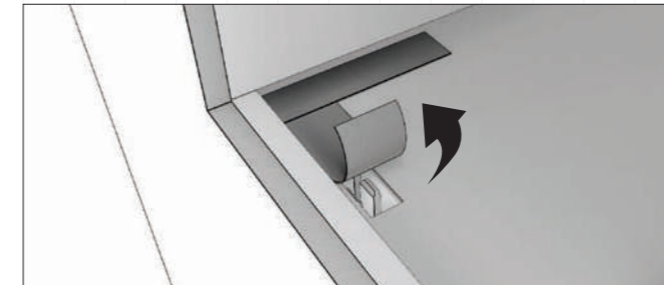
7. Complete the construction by finishing the wall paneling around the appliance. (See section on **FINISHING INSTRUCTIONS** and ensure that you fully understand where non combustible materials must be used.)



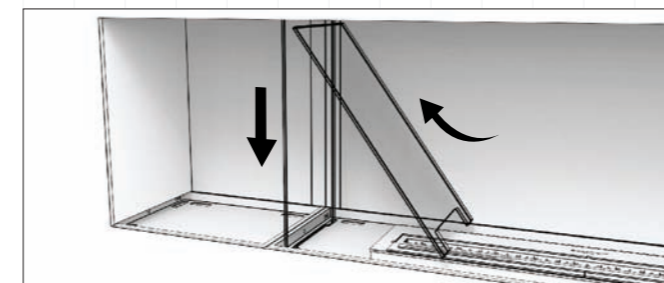
8. Place the burner into position.



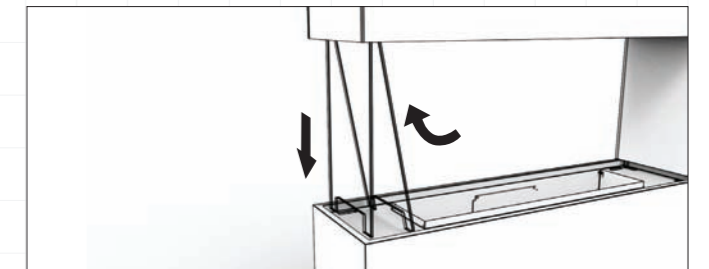
9. Remove the dust protective tape that covers the windscreen mounting slots.



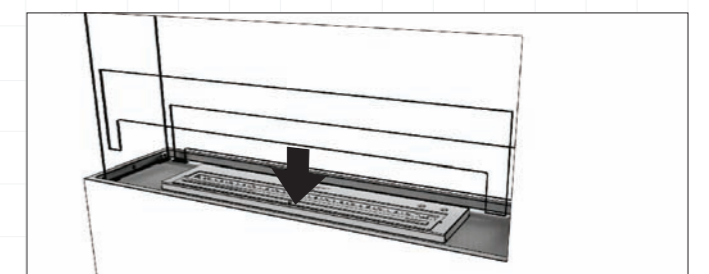
10. If your appliance includes a decorative box on the left / right or both, insert the internal glass panel by feeding the glass upwards into the slot then pushing down into the positioned clips.



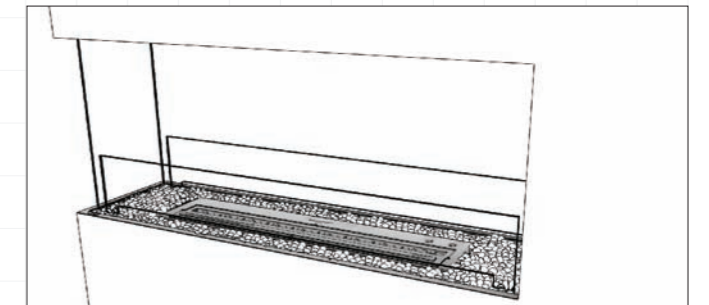
11. Insert the full height glass panel into the open end side by inserting the glass into the opening at the top of the appliance, and lowering it into the slots in the base until it bottoms out into place.



12. Install the windscreen by inserting the two ends into appropriate slots in the appliance. Use a small amount of pressure to push the windscreen in place until it bottoms out into the hidden glass clips. Repeat the same for the back side windscreen.



13. Spread the black glass charcoal evenly around the appliance tray.



BUILT-IN

FLEX DOUBLE SIDED FIREPLACES



Model: FLEX86DB.BX1

Room Divider Application
Double sided Fireplaces feature two open sides - view the flame from the front and the back.

Decorative Side Box
When a decorative box is added, the panel between the standard fire and the decorative box is glass.

Global Compliance
All burners are UL Listed in accordance with MH46715/Subject1370 in the USA, Certified by BSI in accordance with EN16647, and comply with the ACCC Safety Mandate for Australia.

Clean Burning
Fueled by clean burning e-NRG bioethanol

Toughened Safety Screen
Your Flex Fireplace features toughened glass to stabilise the flame in windy conditions and provide an additional layer of safety and comfort. The Integrated windscreen sits flush behind the frame.

Luxurious Finish
Available in a timeless black finish, Flex Fireplaces come with stainless steel burners and black glass charcoal.

Decorative Steel Log Sets
EcoSmart Fire offers non-combustible logs as an optional, eye-catching accessory for models with the decorative side box. Made from stainless steel with a patina finish, they are available in different finishes.

Built to Last a Lifetime
Zinc sealed steel construction powder coated with super hi-temp black paint prevents rusting so all fireplaces can be used both indoors or outdoors.

Zero Clearance
Self-contained, zero clearance construction allows your Flex fireplace to be framed into wood or metal studs, providing installation freedom and flexibility for builders, architects, interior designers, landscapers and homeowners.

OPTIONAL ACCESSORIES



Decorative Steel Logs

DOUBLE SIDED FIREPLACES

FLEX18
Minimum Wall Length 635mm [25in]



18DB

FLEX32
Minimum Wall Length 1,015 mm [40in]



32DB

FLEX42
Minimum Wall Length 1,270mm [50in]



42DB

FLEX50
Minimum Wall Length 1,475mm [58in]



50DB



50DB.BX1



50DB.BX1

FLEX60
Minimum Wall Length 1,730mm [68in]



60DB.BX1



60DB.BX1

FLEX68
Minimum Wall Length 1,935mm [76in]



68DB



68DB.BX1



68DB.BX1



68DB.BX2

FLEX78
Minimum Wall Length 2,190mm [86in]



78DB

FLEX86
Minimum Wall Length 2,395mm [94in]



86DB



86DB.BX1



86DB.BX1

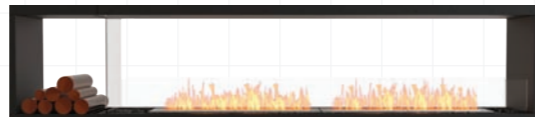


86DB.BX2

FLEX104
Minimum Wall Length 2,855mm [112in]



104DB



104DB.BX1

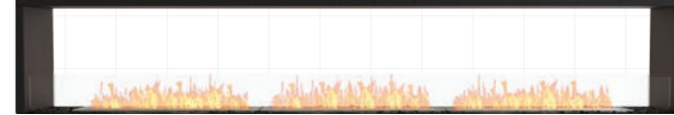


104DB.BX1



104DB.BX2

FLEX122
Minimum Wall Length 3,315mm [131in]



122DB



122DB.BX2



122DB.BX1



122DB.BX1

FLEX140
Minimum Wall Length 3,775mm [149in]



140DB.BX1



140DB.BX1



140DB.BX2

FLEX158
Minimum Wall Length 4,220mm [166in]



158DB



158DB.BX2

rotate

rotate

rotate

rotate

rotate

rotate

DOUBLE SIDED FIREPLACES

Application	Indoor & Outdoor
Materials	Mild Steel (Zinc Sealed), Toughened Glass, Stainless Steel & Glass Charcoal as Decorative Media
Colours	Black Firebox, Stainless Steel Burner/s
Fuel Type	e-NRG Bioethanol

FLEX18

ESF.1.FX.18DB	
Weight	26.5kg [58.3lbs] (Incl. burner/s, glass charcoal, glass)
Burner	AB3 x 1
Volume Capacity	2.5 Litres [0.7 Gallons]
Heats on Average (when used indoors)	Over 20 square metres [215 square feet]
Burn Time	8 - 11 hours (approx)
Minimum Room Size	40 cubic metres [1413 cubic feet] per fireplace.
Minimum Wall Length	635mm [25in]

FLEX32

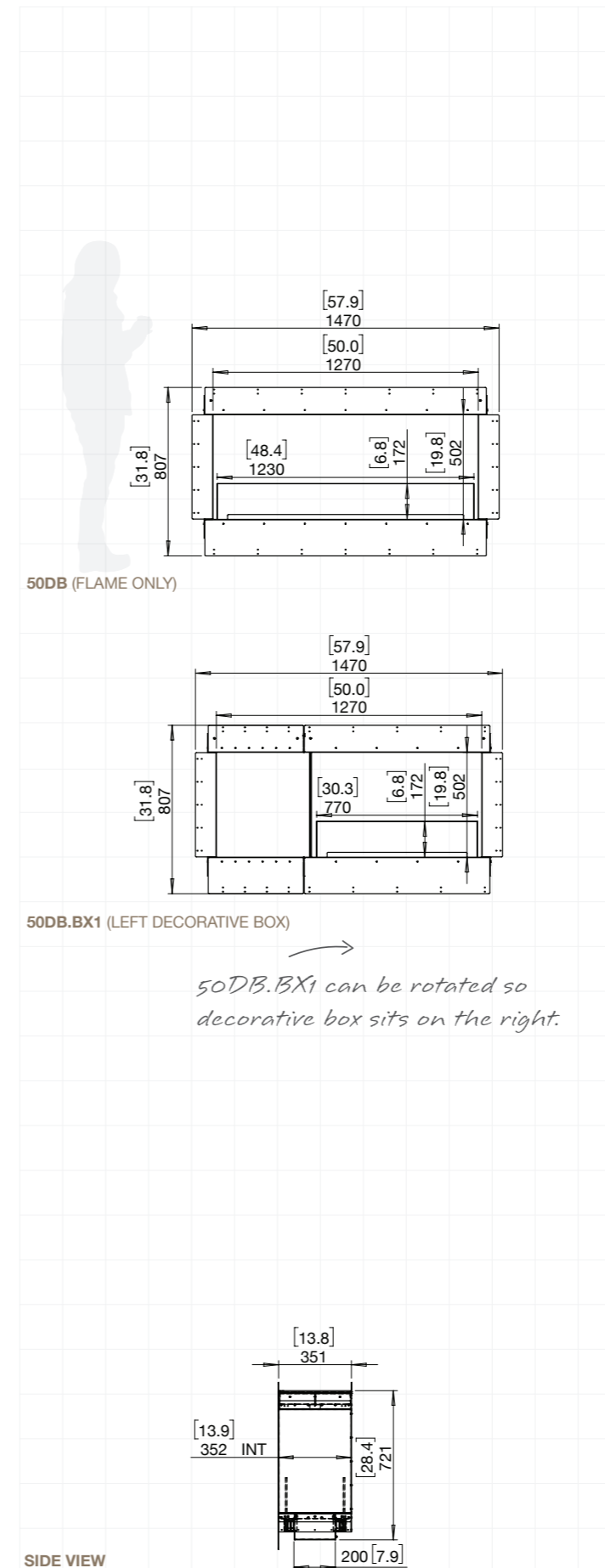
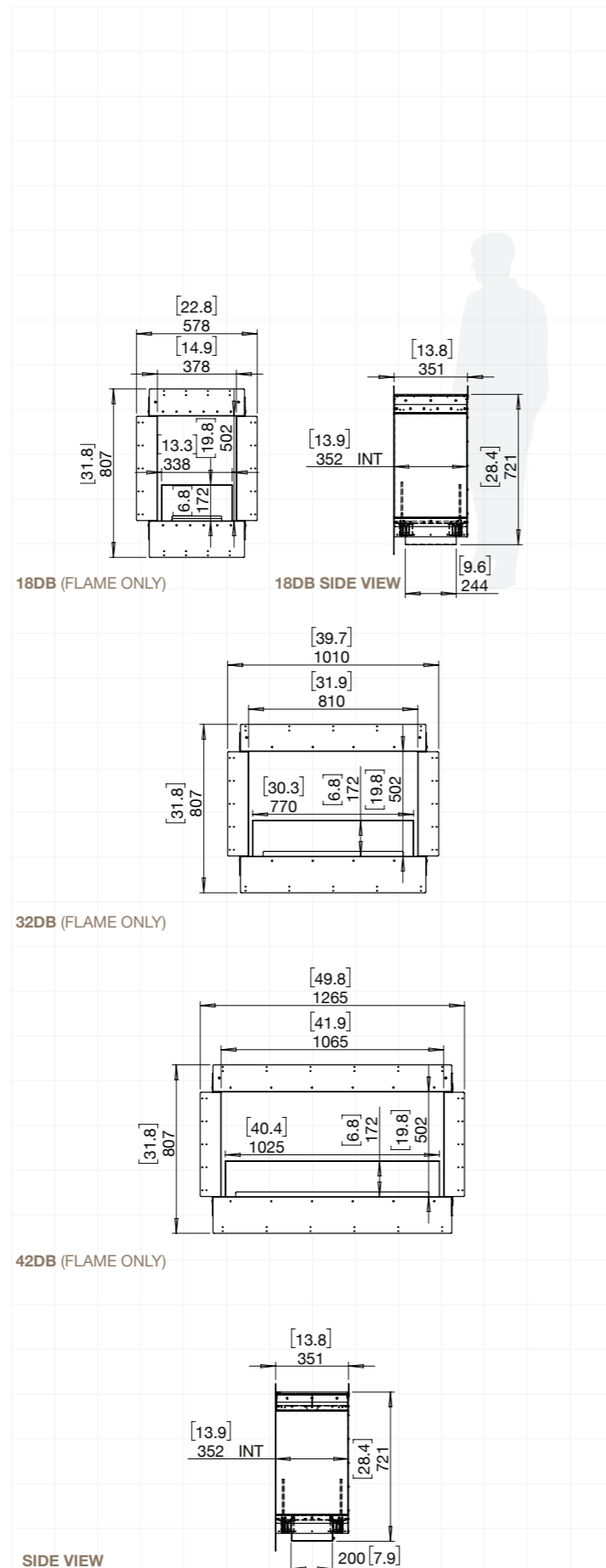
ESF.1.FX.32DB	
Weight	46.6kg [102.5lbs] (Incl. burner/s, glass charcoal, glass)
Burner	XL500 x 1
Volume Capacity	5 Litres [1.3 Gallons]
Heats on Average (when used indoors)	Over 40 square metres [430.6 square feet]
Burn Time	10 - 13 hours (approx)
Minimum Room Size	80 cubic metres [2825 cubic feet] per fireplace.
Minimum Wall Length	1,015mm [40in]

FLEX42

ESF.1.FX.42DB	
Weight	61.4kg [135.1lbs] (Incl. burner/s, glass charcoal, glass)
Burner	XL700 x 1
Volume Capacity	7 Litres [1.8 Gallons]
Heats on Average (when used indoors)	Over 50 square metres [538 square feet]
Burn Time	9 - 12 hours (approx)
Minimum Room Size	90 cubic metres [3178 cubic feet] per fireplace.
Minimum Wall Length	1,270mm [50in]

Physical model dimensions should be verified against cut out dimensions BEFORE installation begins to confirm tolerances align.

These values are indicative only and may vary depending on the model purchased, installation, and the seasonal resource used to manufacture e-NRG.



DOUBLE SIDED FIREPLACES

Application	Indoor & Outdoor
Materials	Mild Steel (Zinc Sealed), Toughened Glass, Stainless Steel & Glass Charcoal as Decorative Media
Colours	Black Firebox, Stainless Steel Burner/s
Fuel Type	e-NRG Bioethanol

FLEX50

ESF.1.FX.50DB	
Weight	70.8kg [155.8lbs] (Incl. burner/s, glass charcoal, glass)
Burner	XL900 x 1
Volume Capacity	9 Litres [2.4 Gallons]
Heats on Average (when used indoors)	Over 60 square metres [645 square feet]
Burn Time	8 - 13 hours (approx)
Minimum Room Size	110 cubic metres [3884 cubic feet] per fireplace.
Minimum Wall Length	1,475mm [58in]

ESF.1.FX.50DB.BX1

Weight	70kg [154lbs] (Incl. burner/s, glass charcoal, glass)
Burner	XL500 x 1
Volume Capacity	5 Litres [1.3 Gallons]
Heats on Average (when used indoors)	Over 40 square metres [430.6 square feet]
Burn Time	10 - 13 hours (approx)
Minimum Room Size	80 cubic metres [2825 cubic feet] per fireplace.
Minimum Wall Length	1,475mm [58in]

Physical model dimensions should be verified against cut out dimensions BEFORE installation begins to confirm tolerances align.

These values are indicative only and may vary depending on the model purchased, installation, and the seasonal resource used to manufacture e-NRG.

DOUBLE SIDED FIREPLACES

Application	Indoor & Outdoor
Materials	Mild Steel (Zinc Sealed), Toughened Glass, Stainless Steel & Glass Charcoal as Decorative Media
Colours	Black Firebox, Stainless Steel Burner/s
Fuel Type	e-NRG Bioethanol

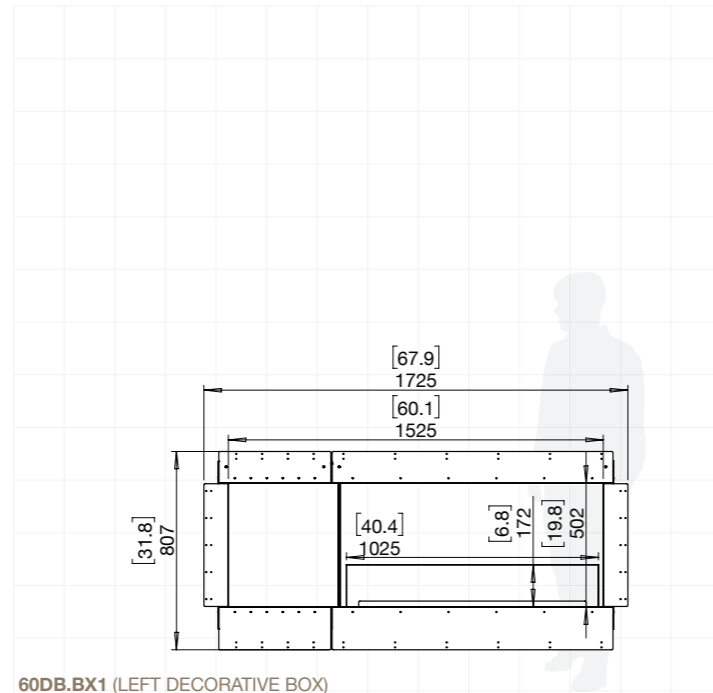
FLEX60

ESF.1.FX.60DB.BX1

Weight	83.3kg [183.3lbs] (incl. burner/s, glass charcoal, glass)
Burner	XL700 x 1
Volume Capacity	7 Litres [1.8 Gallons]
Heats on Average (when used indoors)	Over 50 square metres [538 square feet]
Burn Time	9 - 12 hours (approx)
Minimum Room Size	90 cubic metres [3178 cubic feet] per fireplace.
Minimum Wall Length	1,730mm [68in]

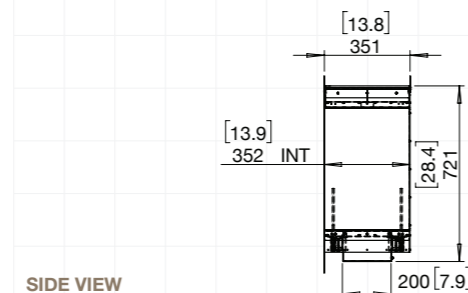
Physical model dimensions should be verified against cut out dimensions BEFORE installation begins to confirm tolerances align.

These values are indicative only and may vary depending on the model purchased, installation, and the seasonal resource used to manufacture e-NRG.

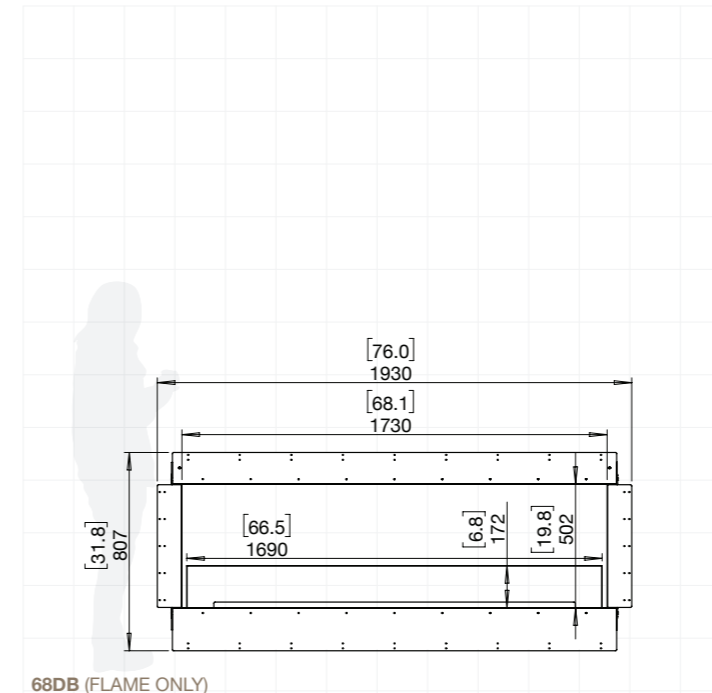


60DB.BX1 (LEFT DECORATIVE BOX)

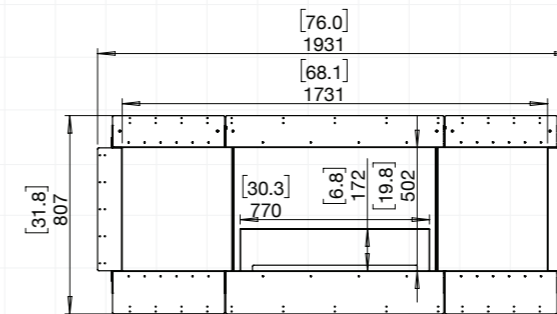
60DB.BX1 can be rotated so decorative box sits on the right.



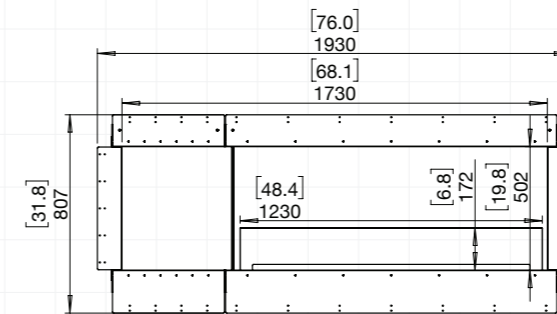
SIDE VIEW



68DB (FLAME ONLY)

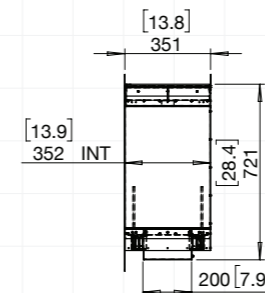


68DB.BX2 (LEFT & RIGHT DECORATIVE BOXES)



68DB.BX1 (LEFT DECORATIVE BOX)

68DB.BX1 can be rotated so decorative box sits on the right.



SIDE VIEW

DOUBLE SIDED FIREPLACES

Application	Indoor & Outdoor
Materials	Mild Steel (Zinc Sealed), Toughened Glass, Stainless Steel & Glass Charcoal as Decorative Media
Colours	Black Firebox, Stainless Steel Burner/s
Fuel Type	e-NRG Bioethanol

FLEX68

ESF.2.FX.68DB

Weight	95.5kg [210.1lbs] (incl. burner/s, glass charcoal, glass)
Burner	XL1200 x 1
Volume Capacity	10 Litres [2.6 Gallons] x 1
Heats on Average	Over 65 square metres [700 square feet]
Burn Time	9 - 14 hours (approx)
Minimum Room Size	115 cubic metres [4061 cubic feet] per fireplace.
Minimum Wall Length	1,935mm [76in]

ESF.1.FX.68DB.BX2

Weight	94.8kg [208.6lbs] (incl. burner/s, glass charcoal, glass)
Burner	XL500 x 1
Volume Capacity	5 Litres [1.3 Gallons]
Heats on Average	Over 40 square metres [430.6 square feet]
Burn Time	10 - 13 hours (approx)
Minimum Room Size	80 cubic metres [2825 cubic feet] per fireplace.
Minimum Wall Length	1,935mm [76in]

ESF.1.FX.68DB.BX1

Weight	83.7kg [184.1lbs] (incl. burner/s, glass charcoal, glass)
Burner	XL900 x 1
Volume Capacity	9 Litres [2.4 Gallons]
Heats on Average	Over 60 square metres [645 square feet]
Burn Time	8 - 13 hours (approx)
Minimum Room Size	110 cubic metres [3884 cubic feet] per fireplace.
Minimum Wall Length	1,935mm [76in]

Physical model dimensions should be verified against cut out dimensions BEFORE installation begins to confirm tolerances align.

These values are indicative only and may vary depending on the model purchased, installation, and the seasonal resource used to manufacture e-NRG.

DOUBLE SIDED FIREPLACES

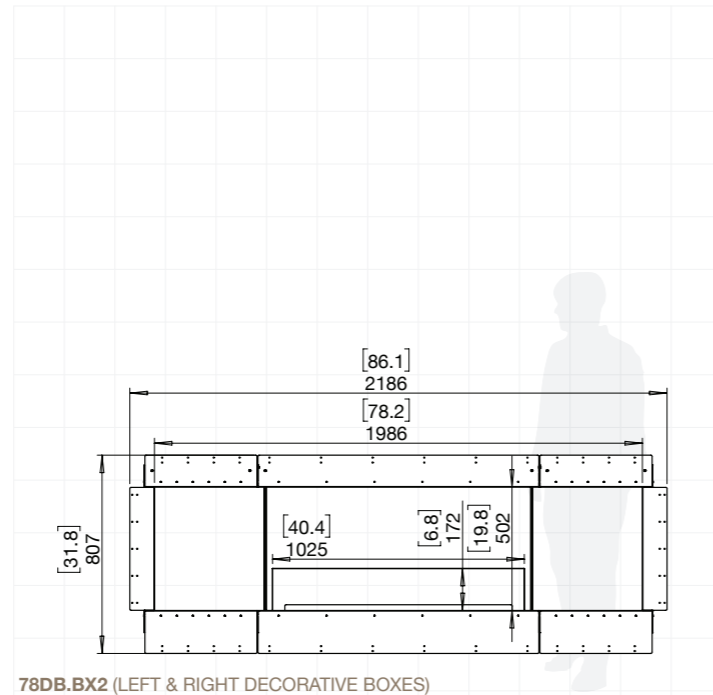
Application	Indoor & Outdoor
Materials	Mild Steel (Zinc Sealed), Toughened Glass, Stainless Steel & Glass Charcoal as Decorative Media
Colours	Black Firebox, Stainless Steel Burner/s
Fuel Type	e-NRG Bioethanol

FLEX78

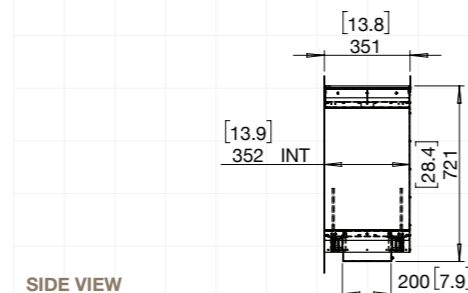
ESF.1.FX.78DB.BX2	
Weight	106.2kg [233.6lbs] (incl. burner/s, glass charcoal, glass)
Burner	XL700 x 1
Volume Capacity	7 Litres [1.8 Gallons]
Heats on Average (when used indoors)	Over 50 square metres [538 square feet]
Burn Time	9 - 12 hours (approx)
Minimum Room Size	90 cubic metres [3178 cubic feet] per fireplace.
Minimum Wall Length	2,190mm [86in]

Physical model dimensions should be verified against cut out dimensions BEFORE installation begins to confirm tolerances align.

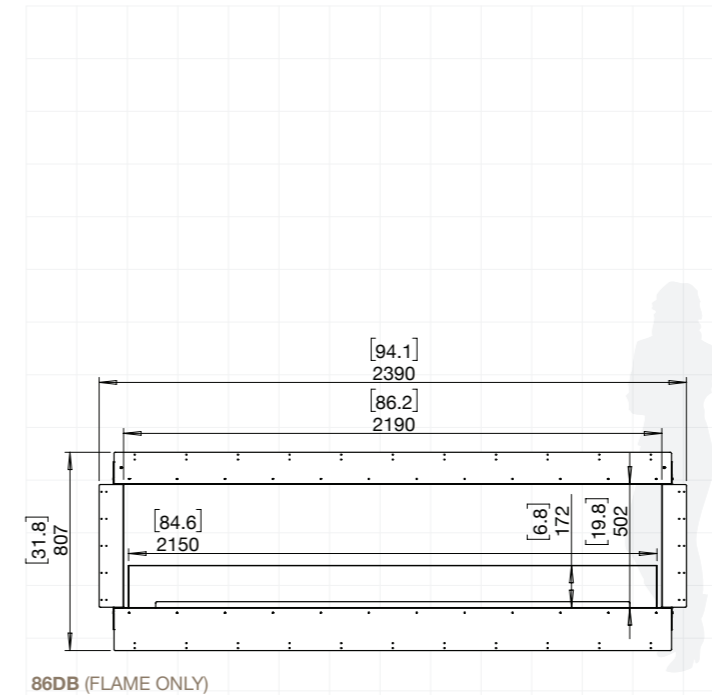
These values are indicative only and may vary depending on the model purchased, installation, and the seasonal resource used to manufacture e-NRG.



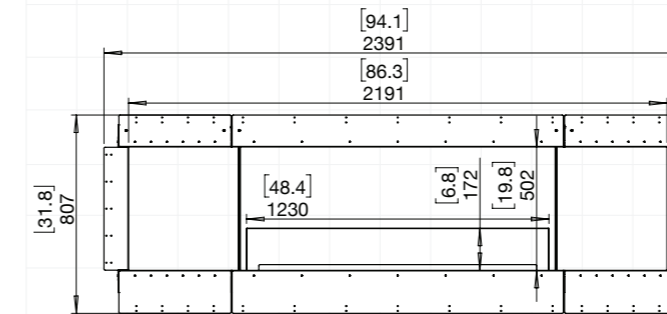
78DB.BX2 (LEFT & RIGHT DECORATIVE BOXES)



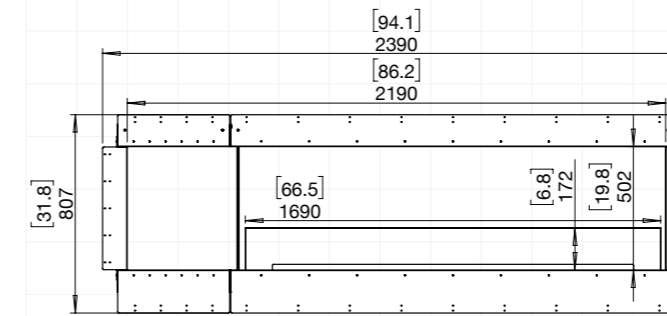
SIDE VIEW



86DB (FLAME ONLY)

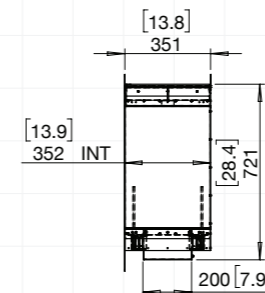


86DB.BX2 (LEFT & RIGHT DECORATIVE BOXES)



86DB.BX1 (LEFT DECORATIVE BOX)

86DB.BX1 can be rotated so decorative box sits on the right.



SIDE VIEW

DOUBLE SIDED FIREPLACES

Application	Indoor & Outdoor
Materials	Mild Steel (Zinc Sealed), Toughened Glass, Stainless Steel & Glass Charcoal as Decorative Media
Colours	Black Firebox, Stainless Steel Burner/s
Fuel Type	e-NRG Bioethanol

FLEX86

ESF.1.FX.86DB	
Weight	102.3kg [225.1lbs] (incl. burner/s, glass charcoal, glass)
Burner	XL900 x 2
Volume Capacity	9 Litres [2.4 Gallons] x 2
Heats on Average	Over 120 square metres [1290 square feet]
Burn Time	8 - 13 hours (approx)
Minimum Room Size	220 cubic metres [7768 cubic feet] per fireplace
Minimum Wall Length	2,395mm [94in]

ESF.1.FX.86DB.BX2	
Weight	108.5kg [238.7lbs] (incl. burner/s, glass charcoal, glass)
Burner	XL900 x 1
Volume Capacity	9 Litres [2.4 Gallons]
Heats on Average	Over 60 square metres [645 square feet]
Burn Time	8 - 13 hours (approx)
Minimum Room Size	110 cubic metres [3884 cubic feet] per fireplace
Minimum Wall Length	2,395mm [94in]

ESF.2.FX.86DB.BX1	
Weight	124.5kg [273.9lbs] (incl. burner/s, glass charcoal, glass)
Burner	XL1200 x 1
Volume Capacity	10 Litres [2.6 Gallons] x 1
Heats on Average	Over 65 square metres [700 square feet]
Burn Time	9 - 14 hours (approx)
Minimum Room Size	115 cubic metres [4061 cubic feet] per fireplace
Minimum Wall Length	2,395mm [94in]

Physical model dimensions should be verified against cut out dimensions BEFORE installation begins to confirm tolerances align.

These values are indicative only and may vary depending on the model purchased, installation, and the seasonal resource used to manufacture e-NRG.

DOUBLE SIDED FIREPLACES

Application	Indoor & Outdoor
Materials	Mild Steel (Zinc Sealed), Toughened Glass, Stainless Steel & Glass Charcoal as Decorative Media
Colours	Black Firebox, Stainless Steel Burner/s
Fuel Type	e-NRG Bioethanol

FLEX104

ESF.1.FX.104DB

Weight	145.7kg [320.5lbs] (incl. burner/s, glass charcoal, glass)
Burner	XL1200 x 2
Volume Capacity	10 Litres [2.6 Gallons] x 2
Heats on Average	Over 130 square metres [1400 square feet]
Burn Time	9 - 14 hours (approx)
Minimum Room Size	230 cubic metres [8122 cubic feet] per fireplace
Minimum Wall Length	2,855mm [112in]

ESF.2.FX.104DB.BX2

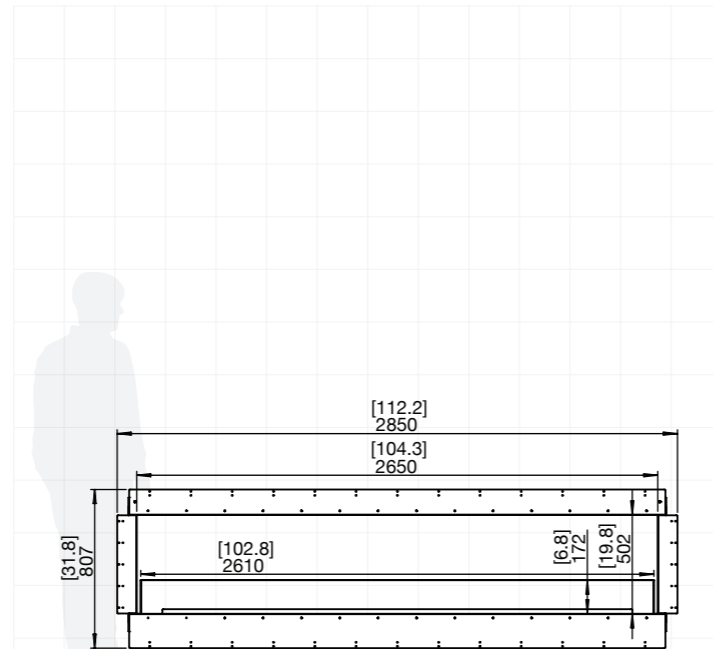
Weight	142kg [312.4lbs] (incl. burner/s, glass charcoal, glass)
Burner	XL1200 x 1
Volume Capacity	10 Litres [2.6 Gallons] x 1
Heats on Average	Over 65 square metres [700 square feet]
Burn Time	9 - 14 hours (approx)
Minimum Room Size	115 cubic metres [4061 cubic feet] per fireplace
Minimum Wall Length	2,855mm [112in]

ESF.1.FX.104DB.BX1

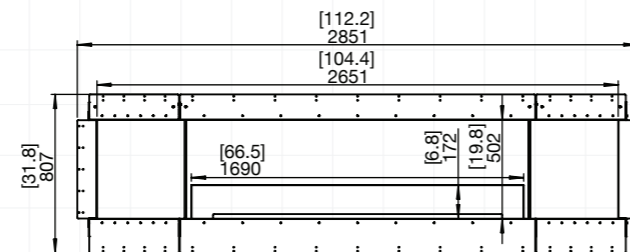
Weight	127.1kg [279.6lbs] (incl. burner/s, glass charcoal, glass)
Burner	XL900 x 2
Volume Capacity	9 Litres [2.4 Gallons] x 2
Heats on Average	Over 120 square metres [1290 square feet]
Burn Time	8 - 13 hours (approx)
Minimum Room Size	220 cubic metres [7768 cubic feet] per fireplace
Minimum Wall Length	2,855mm [112in]

Physical model dimensions should be verified against cut out dimensions BEFORE installation begins to confirm tolerances align.

These values are indicative only and may vary depending on the model purchased, installation, and the seasonal resource used to manufacture e-NRG.



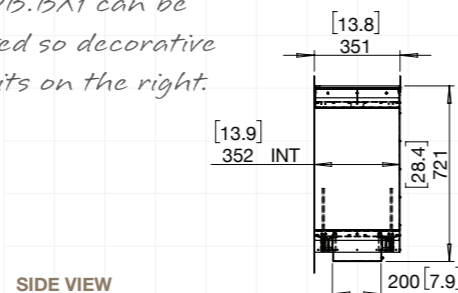
104DB (FLAME ONLY)



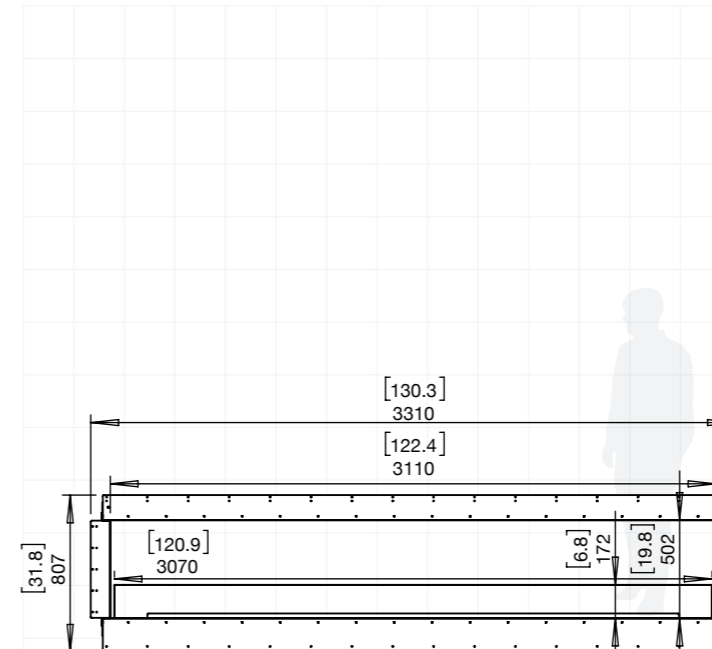
104DB.BX2 (LEFT & RIGHT DECORATIVE BOXES)

104DB.BX1 (LEFT DECORATIVE BOX)

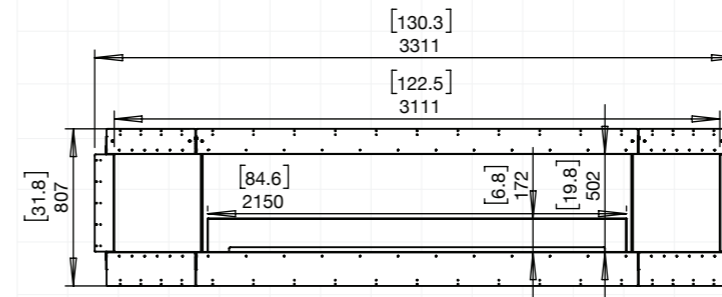
104DB.BX1 can be rotated so decorative box sits on the right.



SIDE VIEW



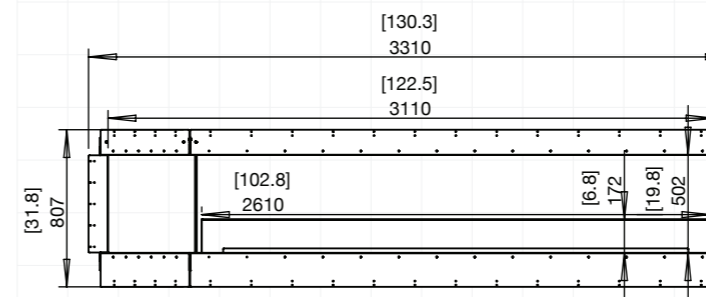
122DB (FLAME ONLY)



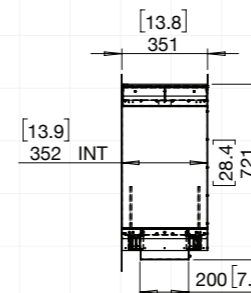
122DB.BX2 (LEFT & RIGHT DECORATIVE BOXES)

122DB.BX1 (LEFT DECORATIVE BOX)

122DB.BX1 can be rotated so decorative box sits on the right.



SIDE VIEW



DOUBLE SIDED FIREPLACES

Application	Indoor & Outdoor
Materials	Mild Steel (Zinc Sealed), Toughened Glass, Stainless Steel & Glass Charcoal as Decorative Media
Colours	Black Firebox, Stainless Steel Burner/s
Fuel Type	e-NRG Bioethanol

FLEX122

ESF.1.FX.122DB

Weight	145.6kg [320.3lbs] (incl. burner/s, glass charcoal, glass)
Burner	XL900 x 3
Volume Capacity	9 Litres [2.4 Gallons] x 3
Heats on Average	Over 180 square metres [1935 square feet]
Burn Time	8 - 13 hours (approx)
Minimum Room Size	330 cubic metres [11652 cubic feet] per fireplace
Minimum Wall Length	3,315mm [131in]

ESF.1.FX.122DB.BX2

Weight	151.9kg [334.2lbs] (incl. burner/s, glass charcoal, glass)
Burner	XL900 x 2
Volume Capacity	9 Litres [2.4 Gallons] x 2
Heats on Average	Over 120 square metres [1290 square feet]
Burn Time	8 - 13 hours (approx)
Minimum Room Size	220 cubic metres [7768 cubic feet] per fireplace
Minimum Wall Length	3,315mm [131in]

ESF.1.FX.122DB.BX1

Weight	170.1kg [374.2lbs] (incl. burner/s, glass charcoal, glass)
Burner	XL1200 x 2
Volume Capacity	10 Litres [2.6 Gallons] x 2
Heats on Average	Over 130 square metres [1400 square feet]
Burn Time	9 - 14 hours (approx)
Minimum Room Size	230 cubic metres [8122 cubic feet] per fireplace
Minimum Wall Length	3,315mm [131in]

Physical model dimensions should be verified against cut out dimensions BEFORE installation begins to confirm tolerances align.

These values are indicative only and may vary depending on the model purchased, installation, and the seasonal resource used to manufacture e-NRG.

DOUBLE SIDED FIREPLACES

Application	Indoor & Outdoor
Materials	Mild Steel (Zinc Sealed), Toughened Glass, Stainless Steel & Glass Charcoal as Decorative Media
Colours	Black Firebox, Stainless Steel Burner/s
Fuel Type	e-NRG Bioethanol

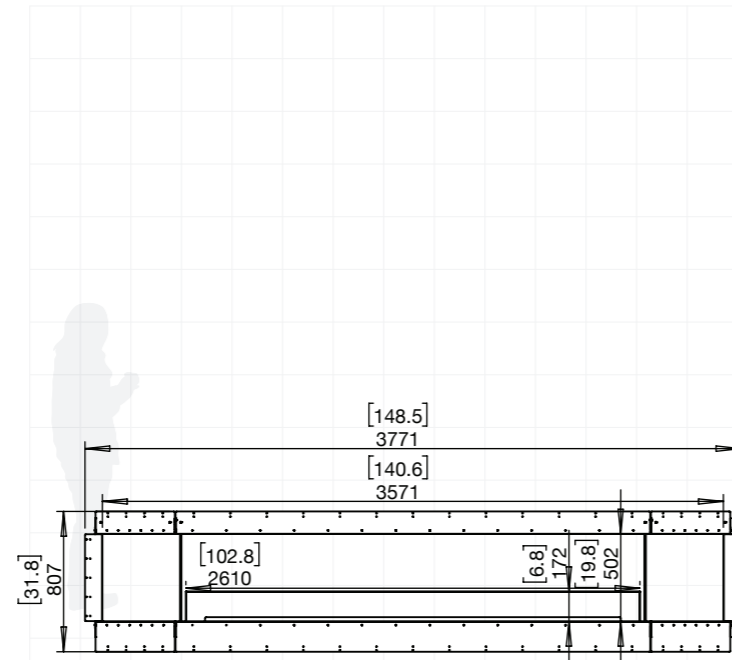
FLEX140

ESF.1.FX.140DB.BX2	
Weight	192.9kg [424.4lbs] (incl. burner/s, glass charcoal, glass)
Burner	XL1200 x 2
Volume Capacity	10 Litres [2.6 Gallons] x 2
Heats on Average	Over 130 square metres [1400 square feet]
Burn Time	9 - 14 hours (approx)
Minimum Room Size	230 cubic metres [8122 cubic feet] per fireplace
Minimum Wall Length	3,775mm [149in]

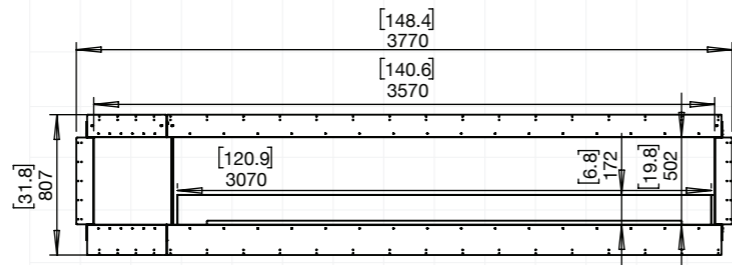
ESF.1.FX.140DB.BX1	
Weight	170.4kg [374.9lbs] (incl. burner/s, glass charcoal, glass)
Burner	XL900 x 3
Volume Capacity	9 Litres [2.4 Gallons] x 3
Heats on Average	Over 180 square metres [1935 square feet]
Burn Time	8 - 13 hours (approx)
Minimum Room Size	330 cubic metres [11652 cubic feet] per fireplace
Minimum Wall Length	3,775mm [149in]

Physical model dimensions should be verified against cut out dimensions BEFORE installation begins to confirm tolerances align.

These values are indicative only and may vary depending on the model purchased, installation, and the seasonal resource used to manufacture e-NRG.

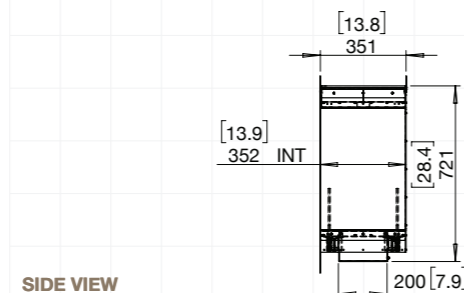


140DB.BX2 (LEFT & RIGHT DECORATIVE BOXES)

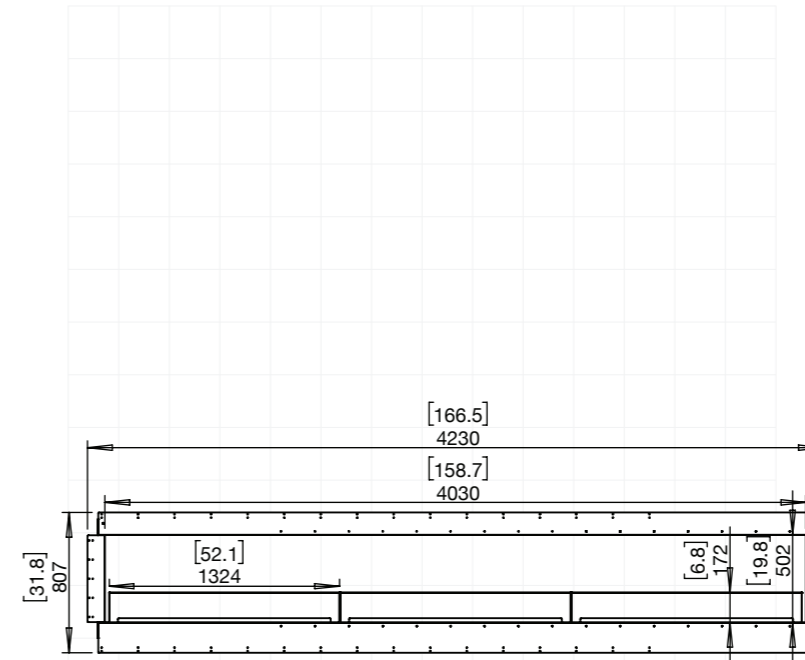


140DB.BX1 (LEFT DECORATIVE BOX)

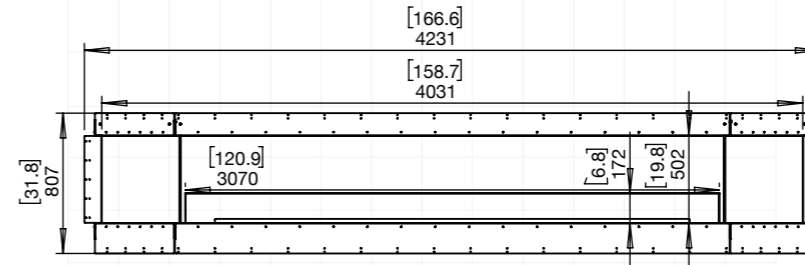
→
140DB.BX1 can be rotated so decorative box sits on the right.



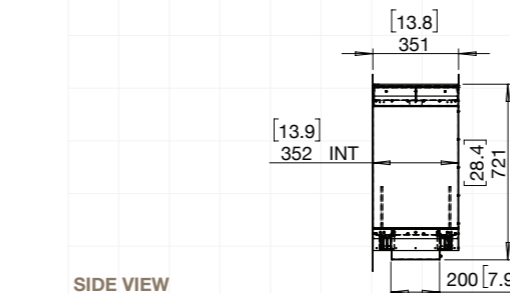
SIDE VIEW



158DB (FLAME ONLY)



158DB.BX2 (LEFT & RIGHT DECORATIVE BOXES)



SIDE VIEW

DOUBLE SIDED FIREPLACES

Application	Indoor & Outdoor
Materials	Mild Steel (Zinc Sealed), Toughened Glass, Stainless Steel & Glass Charcoal as Decorative Media
Colours	Black Firebox, Stainless Steel Burner/s
Fuel Type	e-NRG Bioethanol

FLEX158

ESF.1.FX.158DB	
Weight	226.8kg [499lbs] (incl. burner/s, glass charcoal, glass)
Burner	XL1200 x 3
Volume Capacity	10 Litres [2.6 Gallons] x 3
Heats on Average	Over 195 square metres [2100 square feet]
Burn Time	9 - 14 hours (approx)
Minimum Room Size	345 cubic metres [12183 cubic feet] per fireplace
Minimum Wall Length	4,235mm [167in]

ESF.1.FX.158DB.BX2	
Weight	195.2kg [429.4lbs] (incl. burner/s, glass charcoal, glass)
Burner	XL900 x 3
Volume Capacity	9 Litres [2.4 Gallons] x 3
Heats on Average	Over 180 square metres [1935 square feet]
Burn Time	8 - 13 hours (approx)
Minimum Room Size	330 cubic metres [11652 cubic feet] per fireplace
Minimum Wall Length	4,235mm [167in]

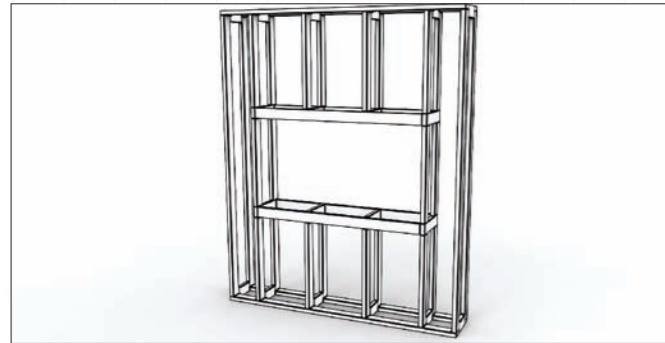
Physical model dimensions should be verified against cut out dimensions BEFORE installation begins to confirm tolerances align.

These values are indicative only and may vary depending on the model purchased, installation, and the seasonal resource used to manufacture e-NRG.

FLEX DOUBLE SIDED FIREPLACE INDICATIVE INSTALL

GUIDE ONLY - MUST READ THE INSTRUCTIONS INCLUDED WITH THE MODEL

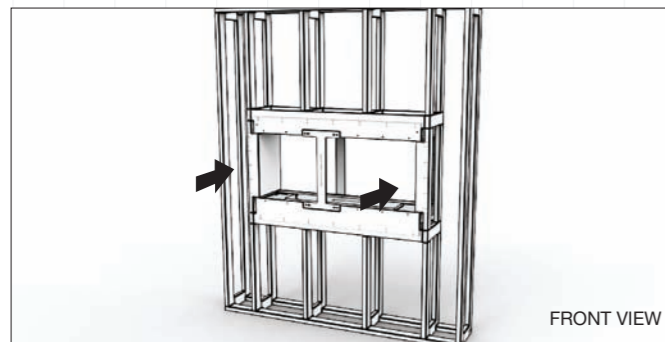
1. Construct a main wall framework. The base of the frame can be a solid bench/platform, which will assist in leveling up the appliance when in position.



2. Remove the extension flange from the fireplace so that both sides are the same height. This will help make sliding the fireplace into the frame easier. Pay attention not to lose the screws, they will be needed again when the flange is re-installed.



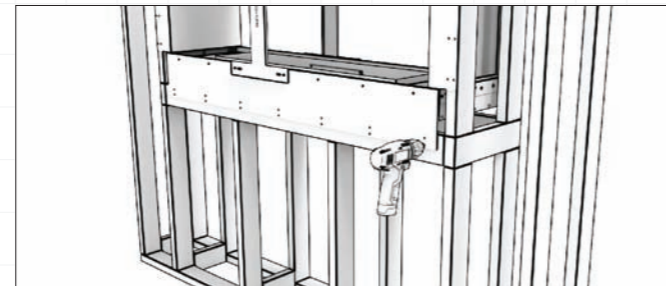
3. Slide the appliance inside the framing cavity (the bottom tray can sit directly on top of the frame). The appliance is shipped with red stability bracket(s) installed on the open side(s) to keep the appliance square while in transport and during installation. Keep the bracket(s) on while framing up the setting to assist in minimising movement of the appliance.



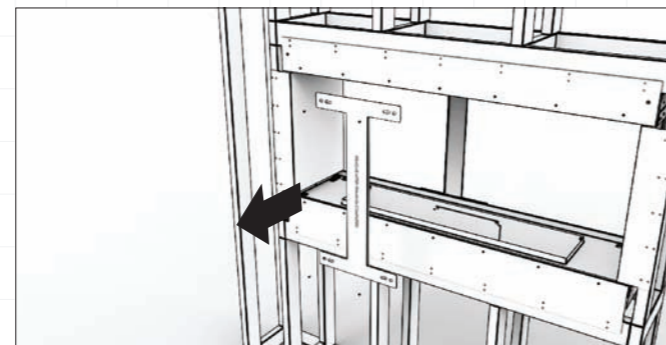
4. Align the flange extension panel with the threaded holes on the appliance. Screw it into place using the included screws (bottom row onto appliance, top row onto framing material) to secure it into position.



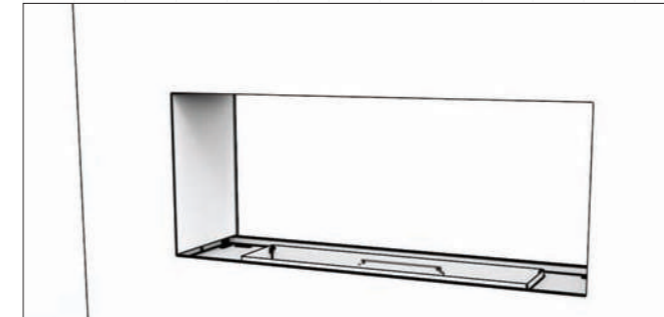
5. Fix the appliance to the framework with screws using the existing mounting holes on the appliance flanges. Make sure that the appliance is level before securing it in place.



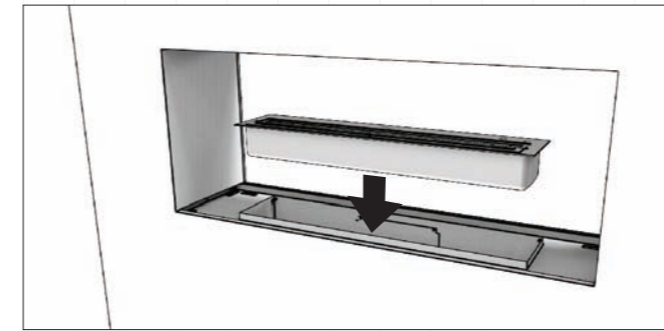
6. Remove the red stability bracket(s).



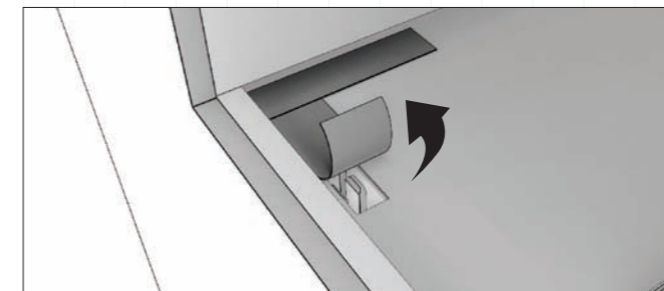
7. Complete the construction by finishing the wall paneling around the appliance. (See section on **FINISHING INSTRUCTIONS** and ensure that you fully understand where non combustible materials must be used.)



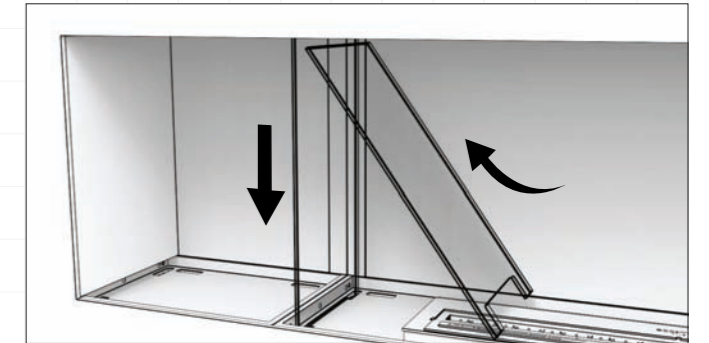
8. Place the burner into position.



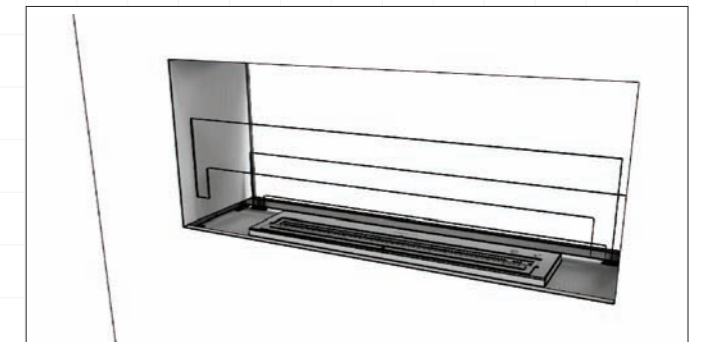
9. Remove the dust protective tape that covers the windscreen mounting slots.



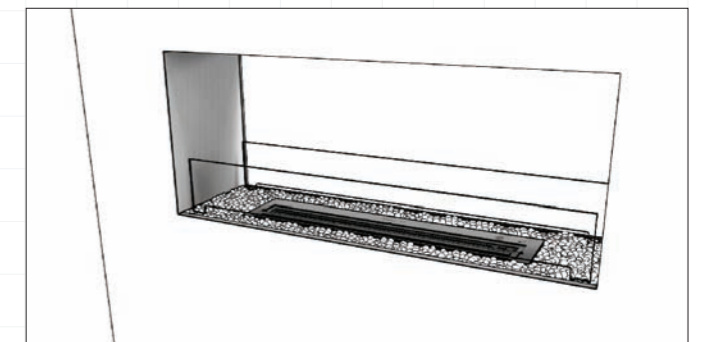
10. If your appliance includes a decorative box on the left / right or both, insert the internal glass panel by feeding the glass upwards into the slot then pushing down into the positioned clips.



11. Install the windscreen by inserting the two ends into appropriate slots in the appliance. Use a small amount of pressure to push the windscreen in place until it bottoms out into the hidden glass clips. Repeat the same for the back side windscreen.



12. Spread the black glass charcoal evenly around the appliance tray.



FLEX FINISHING, MANTEL SURROUNDS & DECORATIVE BOX

GUIDE ONLY - MUST READ THE INSTRUCTIONS INCLUDED WITH THE MODEL

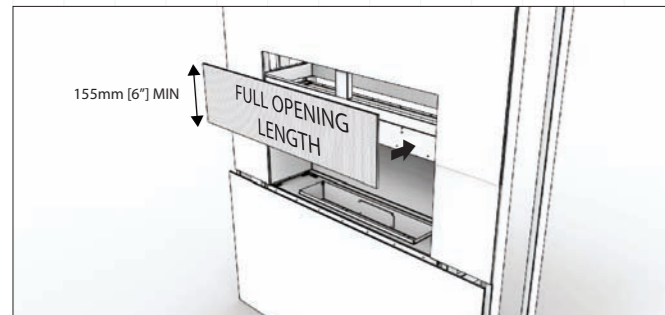
FLEX FINISHING

1. Apply surrounding wall panels. Acceptable materials include fibre cement MDF, cement sheeting, stone cladding, tiles, steel, & sheetrock.

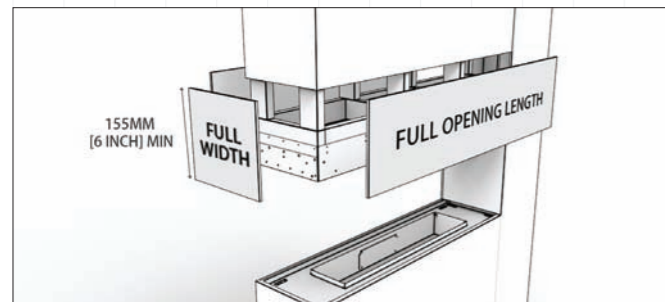
Facing or finishing materials must never overhang into the appliance opening.

WARNING! Risk of Fire! Do not apply combustible materials beyond the minimum clearances. Comply with all minimum clearances to combustibles as specified in this manual and the burner manual.

IMPORTANT: A 155mm [6"] non combustible panel must be installed above all sides of the appliance openings. See examples below.

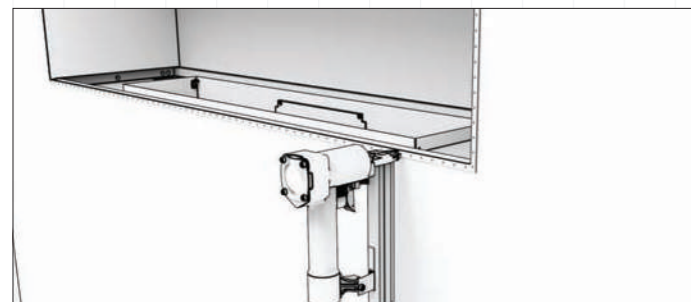


Example: Single Sided Fireplace



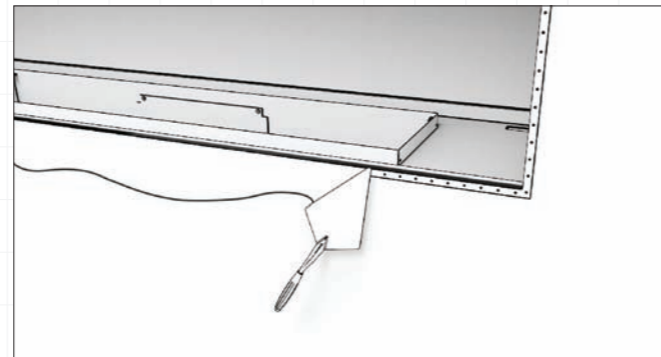
Example: Peninsula Fireplace

2. A metal trim bead MUST be installed on all edges (mitre the corners). (Do not use long fasteners thicker than the wall paneling material to avoid penetrating the appliance).

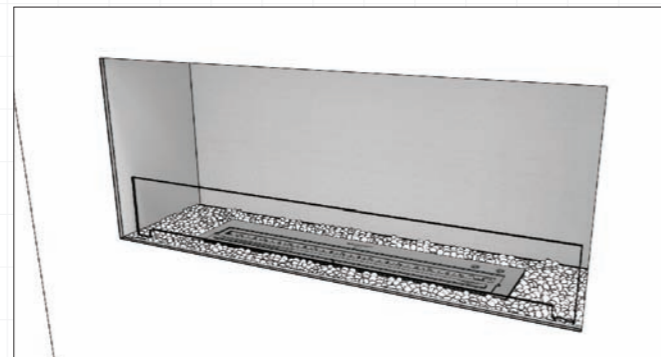


3. Plaster all seams and beads.

All joints between the finished wall sheathing and the front of the appliance must be sealed with non-combustible materials. Sealants, such as caulk or mastic used to seal the gap between the wall and the appliance, should be rated at a minimum continuous exposure to 150°C (122°F).



4. If desired finishing includes a painted wall, 100% acrylic latex or oil-based or standard acrylics may be used. Follow paint manufacturer's instructions for paint and primer application.



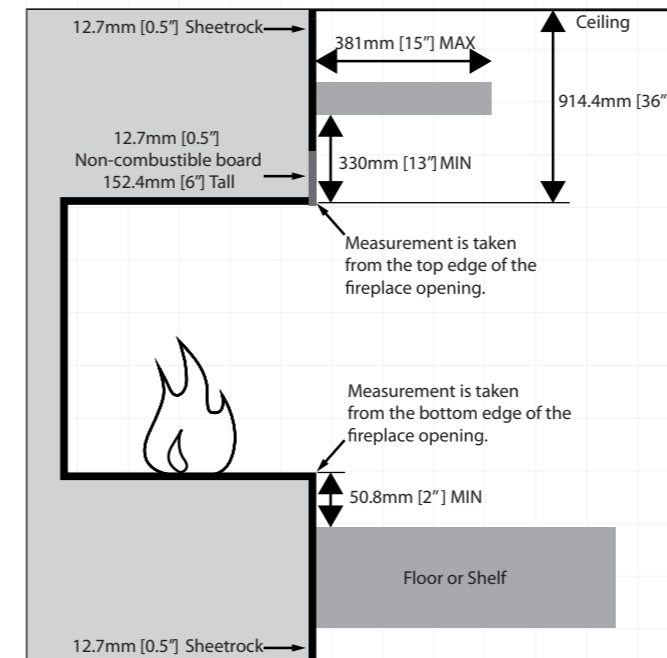
OPERATE ACCORDING TO THE BURNER OPERATIONS MANUAL INCLUDED WITH THE BURNER.

MANTEL SURROUNDS

Minimum Clearances

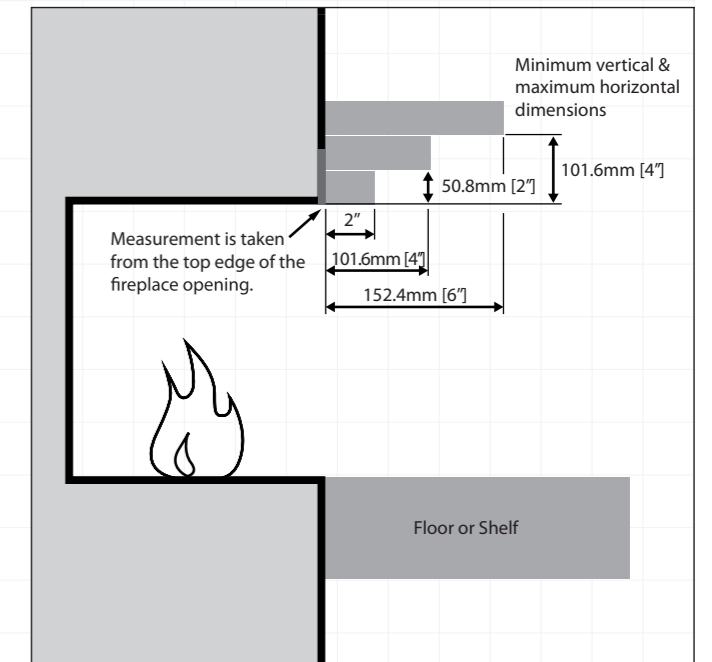
If the setting incorporates a mantel the minimum vertical and maximum horizontal dimensions to combustible mantel identified in the image below must be followed.

Finishing clearances to COMBUSTIBLES



Minimum vertical and maximum horizontal dimensions of combustible mantel.

Finishing and clearances to NON-COMBUSTIBLES

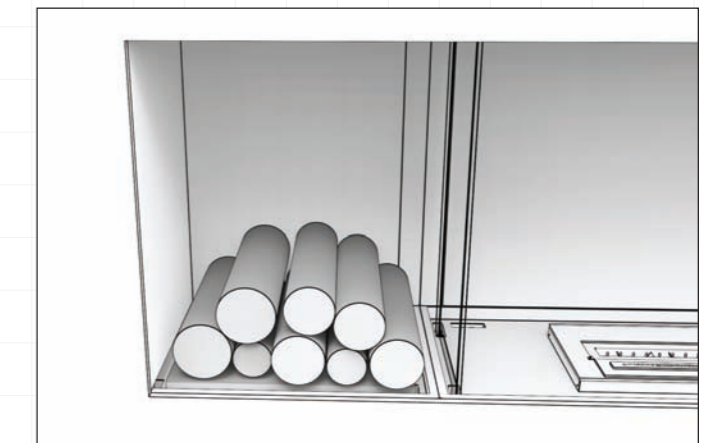
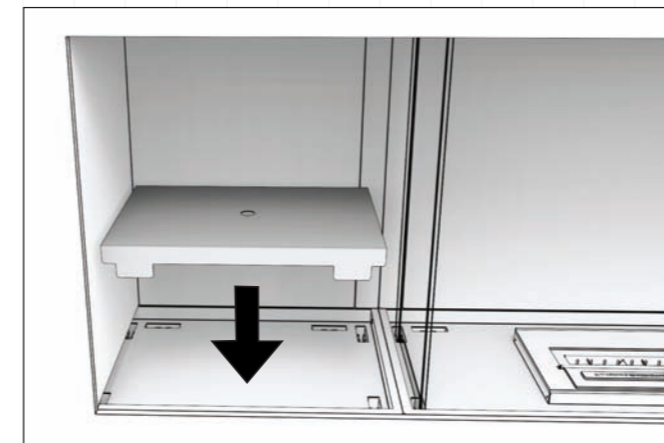


Minimum vertical and maximum horizontal dimensions of non-combustible mantel.

Warning! Risk of Fire! Comply with all minimum clearances to combustibles as specified. Framing or finishing material closer than the minimum listed must be constructed entirely of non-combustible materials.

INFILL PLATE

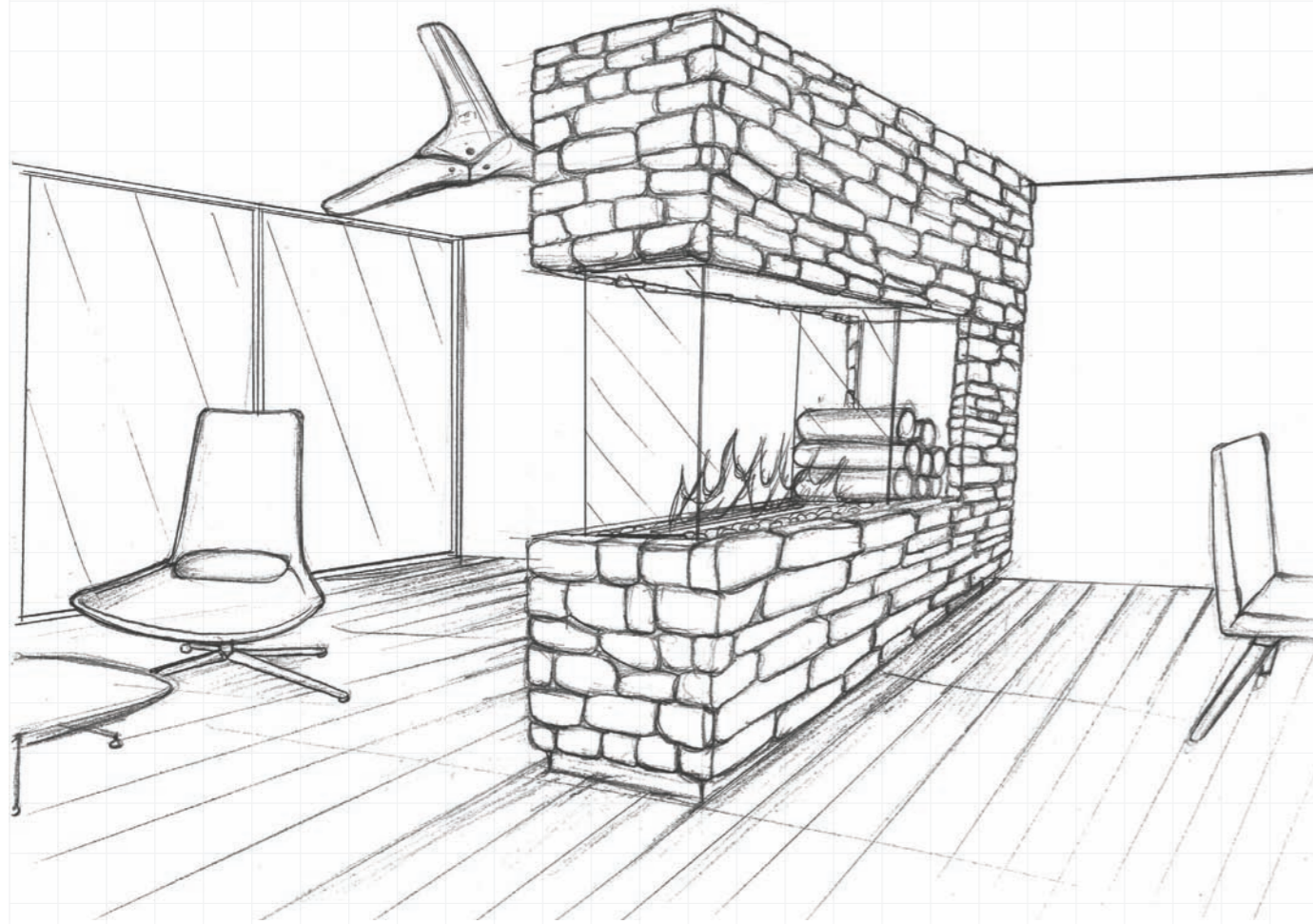
For appliances with a decorative side box, an infill plate is provided to lift the material to align with the bottom edge of the appliance. Decorative boxes must only be used to hold non-combustible accessories/materials.



Decorative Steel Logs are available as an optional accessory.

Brief: Create a feature wall
between two adjacent rooms.

Solution: FLEX68 Peninsula



Model: FLEX68PN.BXR

FREESTANDING

FIRE PITS, FIRE TABLES, & DESIGNER FIREPLACES



FREESTANDING FIRE PITS



Private Residence, Japan
Model: Stix

Freedom, flexibility and eco-friendly functionality – EcoSmart's freestanding bioethanol fireplaces add warmth, style and ambiance to living and entertaining spaces. Cleverly refashioning the traditional fireplace concept into a piece of portable fire furniture means that you can now enjoy the simple pleasures of an open fire in more places than ever before.

Relocate With Ease

Bioethanol outdoor fireplaces relocate with ease, and this portability is greatly enhanced by the self-contained engineering of the EcoSmart system. There is no need for a utility connection, which means you can transform the look and feel of your outdoor entertaining area when desired.

Or, leave your fireplace in a permanent position on the patio and design an enchanting outdoor space using the fireplace as the focal point. It has never been this easy to design a backyard or courtyard that feels so inviting.

Decorative Media

Concrete models come with black glass charcoal.

Colours

Concrete models are available in three natural colours.



Environmentally-Friendly

Bioethanol fireplaces use an environmentally-friendly, renewable energy source that burns clean and delivers warming heat. You and your guests will enjoy the ambiance and tranquility of a real fire, without the hassles of burning real wood - no more embers, ash, and soot to clean up.

Ground Fixing Brackets

Models come with fixing brackets for permanently locating into a fixed position.

Versatile and Incredibly Durable

EcoSmart portable fireplaces are versatile, incredibly durable, and are constructed of heavy-gauge glass and weather resistant materials. These appliances are designed to look great for years, and will perform admirably through all four seasons.







OPTIONAL
ACCESSORIES



Protective
Covers

FREESTANDING

FIRE PITS SPECIFICATIONS

COMPATIBLE BURNERS*	AB8	AB8 (EN)	AB3	
Fuel Capacity	8 Litres [2.1 Gallons]	8 Litres [2.1 Gallons]	2.5 Litres [0.7 Gallons]	
Heats on Average	Over 60m ² [645ft ²]	Over 30m ² [322.9ft ²]	Over 20m ² [215ft ²]	
Approx. Burn Time	7 - 11 hours	9 - 11 hours	8 - 11 hours	
Minimum Room Size (per fireplace)	116m ³ [4096ft ³]	116m ³ [4096ft ³]	40m ³ [1413 ft ³]	
Included Accessories Operational accessories designed for safe and ergonomic fire ignition and extinguishing.	 AB8 Efficiency Ring	 AB8 Efficiency Ring	 AB3 Extension Spout	
	 Jerry Can	 Lighting Rod + Lighter	 Operations Manual	 Ground Fixing Brackets [†] (If Applicable)

FIRE PITS

Cyl**			• †
Glow		• †	
Lighthouse Series**			• †
Mini T**			• †
MIX600			• †
MIX850		• †	
Stix			•

* These values are indicative only and may vary depending on the model purchased, installation, and the seasonal resource used to manufacture e-NRG.

† This model comes with fixing brackets for permanently locating into a fixed position.

** Not available in Australia.



CYL



Not available in Australia

Application	Outdoor
Materials	Grade 304 Stainless Steel, Mouth Blown Glass
Weight	5.3kg [11.7lbs] Weight includes Burner.
Colours	■ Stainless Steel ESF.1.O.CYL
Optional Accessories	Protective Cover

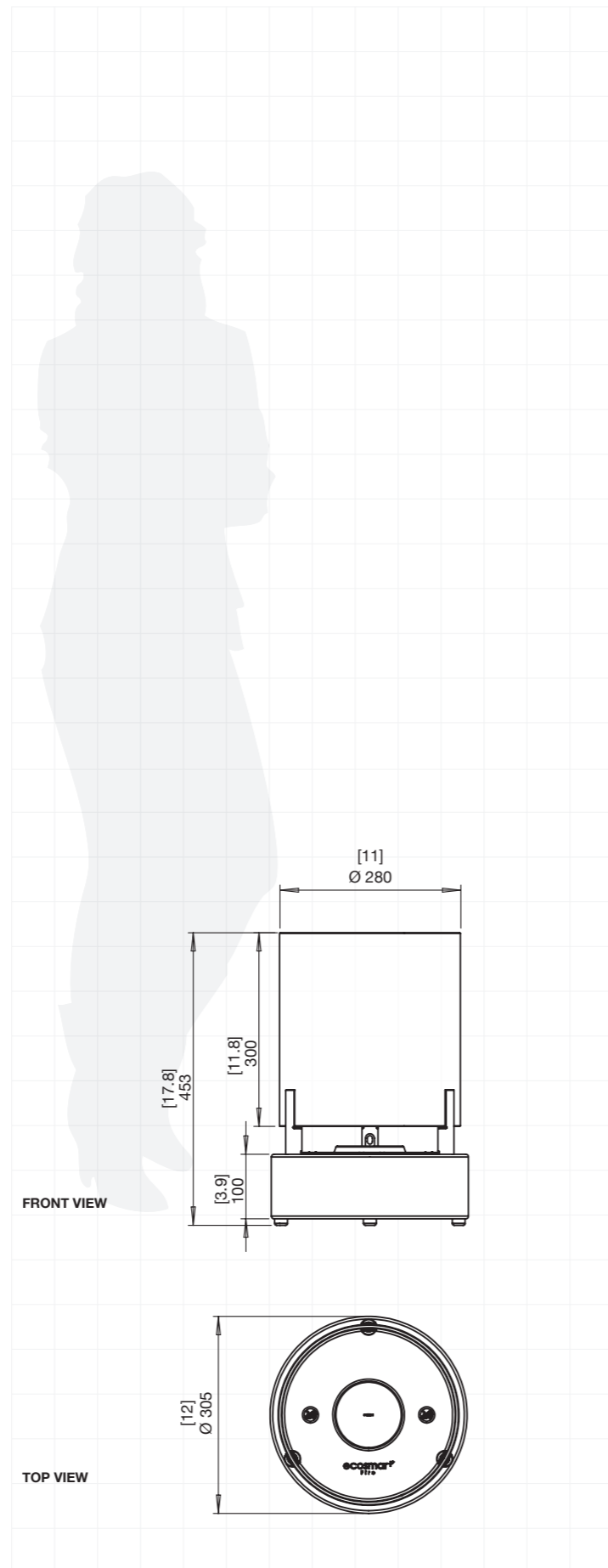
BURNER INFORMATION*

Burner	AB3
Fuel Type	e-NRG Bioethanol
Fuel Capacity	2.5 Litres [0.7 Gallons]
Heats on Average (when used indoors)	Over 20 square metres [215 square feet]
Burn Time	8 - 11 hours (approx)
Minimum Room Size	40 cubic metres [1413 cubic feet] per fireplace.

*These values are indicative only and may vary depending on the model purchased, installation, and the seasonal resource used to manufacture e-NRG.

Compliance
All burners are UL Listed in accordance with MH46715/Subject 1370 in the USA.

This model comes with fixing brackets for permanently locating into a fixed position.



GLOW



Application	Outdoor
Materials	Grade 304 Stainless Steel, Mouth Blown Glass
Weight	7.7kg [17lbs] Weight includes burner.
Colours	■ Stainless Steel ESF.1.O.GLO
Optional Accessories	Protective Cover

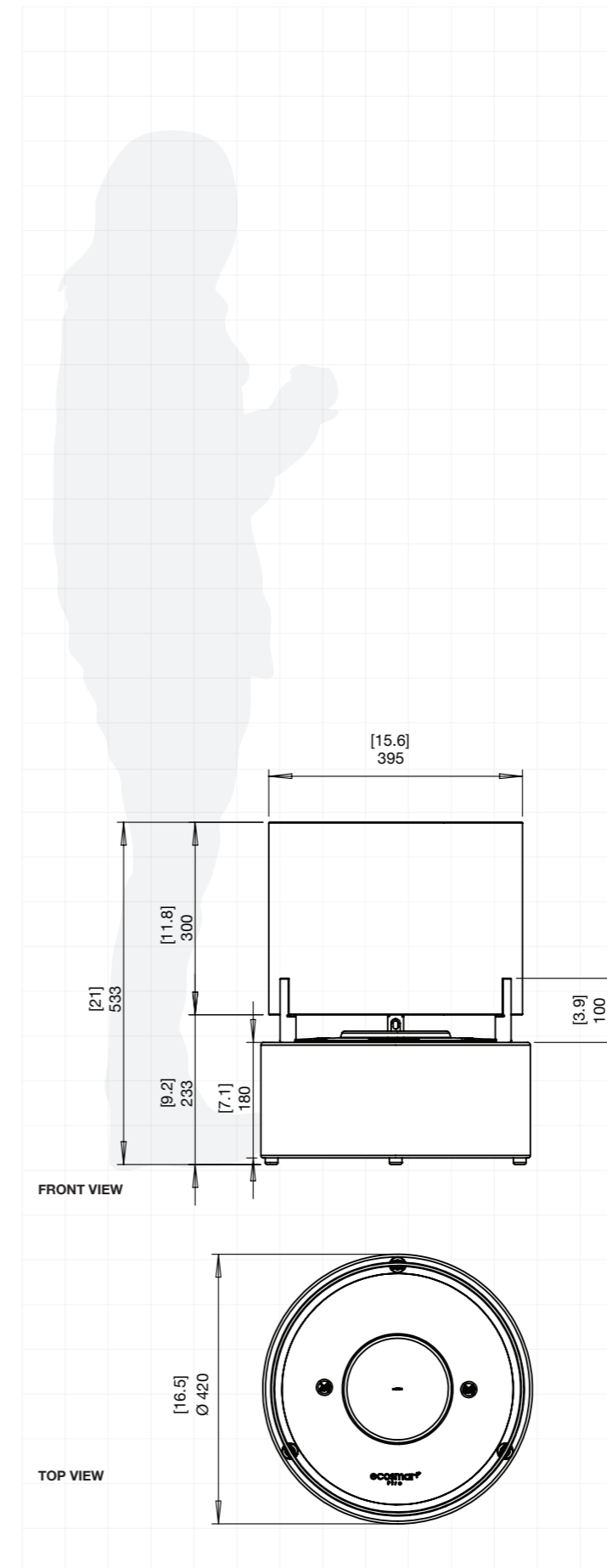
BURNER INFORMATION*

Burner	AB8	AB8 (EN)
Heats on Average (when used indoors)	Over 60m ² [645ft ²]	Over 30m ² [322.9ft ²]
Burn Time (approx)	7 - 11 hrs	9 - 11 hrs
Fuel Type	e-NRG Bioethanol	
Fuel Capacity	8 Litres [2.1 Gallons]	
Minimum Room Size	116 cubic metres [4096 cubic feet] per fireplace.	

*These values are indicative only and may vary depending on the model purchased, installation, and the seasonal resource used to manufacture e-NRG.

Global Compliance
All burners are UL Listed in accordance with MH46715/Subject 1370 in the USA.

This model comes with fixing brackets for permanently locating into a fixed position.



LIGHTHOUSE SERIES



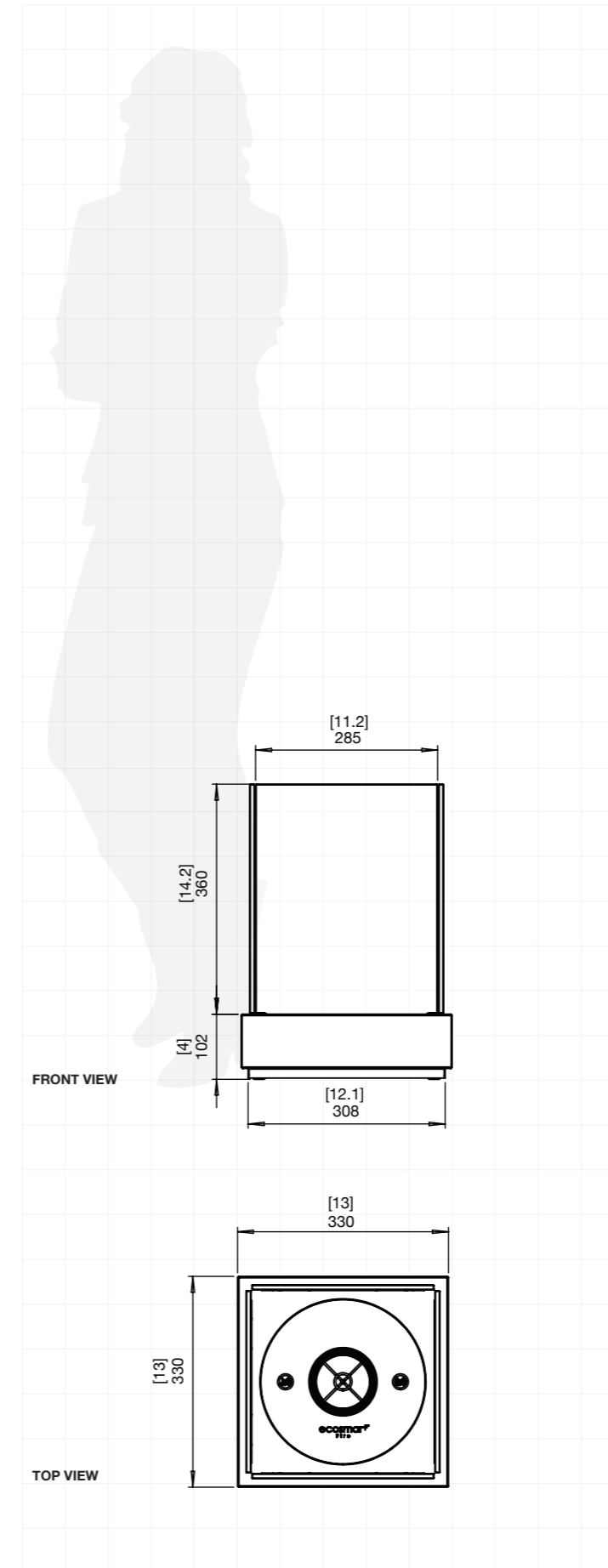
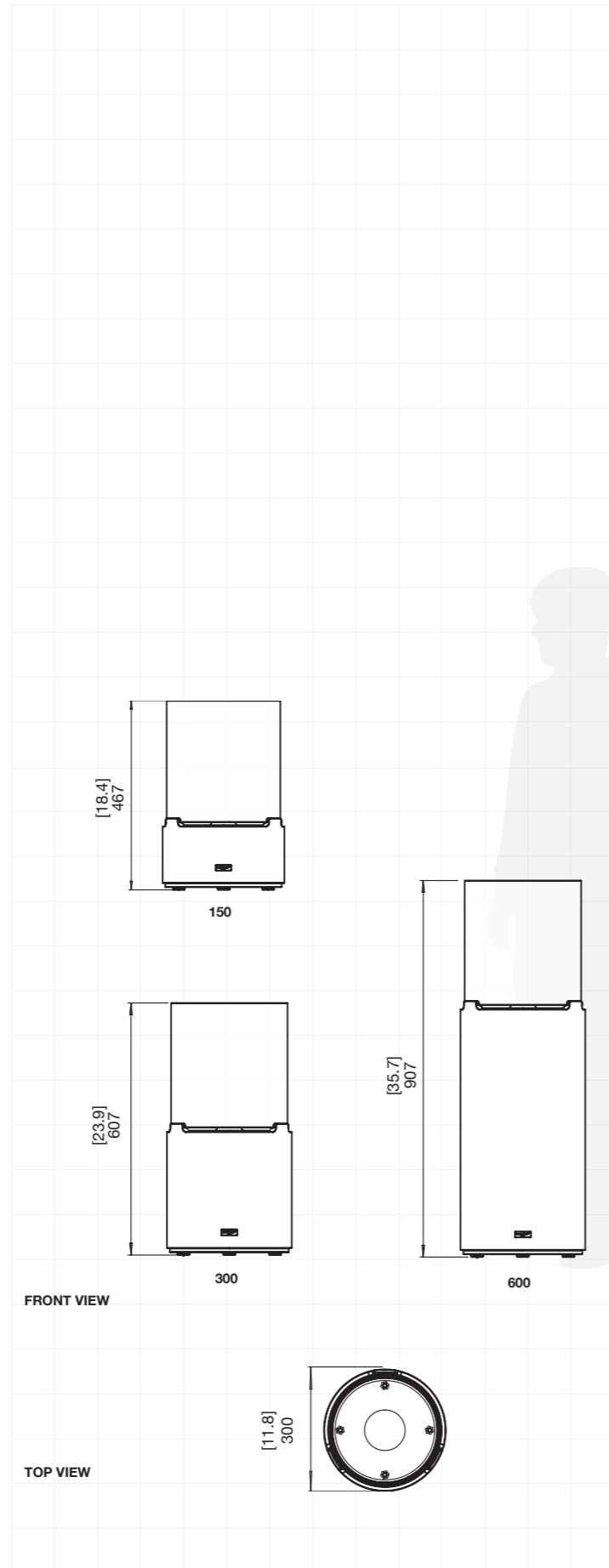
Not available in Australia

Application	Outdoor										
Materials	Fluid Concrete Technology, Grade 304 Stainless Steel, Mouth Blown Glass										
Weight	LH 150 = 6kg [13.2lbs] LH 300 = 7kg [15.4lbs] LH 600 = 14.5kg [31.9lbs] Weight includes Burner.										
SKU	LH 150 = ESF.2.O.LH150 LH 300 = ESF.2.O.LH300 LH 600 = ESF.2.O.LH600										
Colours & SKU's	<table border="0"> <tr> <td></td> <td>Natural</td> <td>ESF.2.O.(model).NA</td> </tr> <tr> <td></td> <td>Bone</td> <td>ESF.2.O.(model).BO</td> </tr> <tr> <td></td> <td>Graphite</td> <td>ESF.2.O.(model).GH</td> </tr> </table>		Natural	ESF.2.O.(model).NA		Bone	ESF.2.O.(model).BO		Graphite	ESF.2.O.(model).GH	
	Natural	ESF.2.O.(model).NA									
	Bone	ESF.2.O.(model).BO									
	Graphite	ESF.2.O.(model).GH									
Optional Accessories	Protective Covers										
BURNER INFORMATION*											
Burner	AB3										
Fuel Type	e-NRG Bioethanol										
Fuel Capacity	2.5 Litres [0.7 Gallons]										
Heats on Average (when used indoors)	Over 20 square metres [215 square feet]										
Burn Time	8 - 11 hours (approx)										
Minimum Room Size	40 cubic metres [1413 cubic feet] per fireplace.										

*These values are indicative only and may vary depending on the model purchased, installation, and the seasonal resource used to manufacture e-NRG.

Compliance
All burners are UL Listed in accordance with MH46715/Subject 1370 in the USA.

These models come with fixing brackets for permanently locating into a fixed position.



MINI T



Not available in Australia

Application	Outdoor	
Materials	Grade 304 Stainless Steel, Toughened Glass	
Weight	27.6kg [60.8lbs] Weight includes Burner.	
Colours		Stainless Steel ESF.1.O.MNT
Optional Accessories	Protective Cover	
BURNER INFORMATION*		
Burner	AB3	
Fuel Type	e-NRG Bioethanol	
Fuel Capacity	2.5 Litres [0.7 Gallons]	
Heats on Average (when used indoors)	Over 20 square metres [215 square feet]	
Burn Time	8 - 11 hours (approx)	
Minimum Room Size	40 cubic metres [1413 cubic feet] per fireplace.	

*These values are indicative only and may vary depending on the model purchased, installation, and the seasonal resource used to manufacture e-NRG.

Compliance
All burners are UL Listed in accordance with MH46715/Subject 1370 in the USA.

This model comes with fixing brackets for permanently locating into a fixed position.

STIX



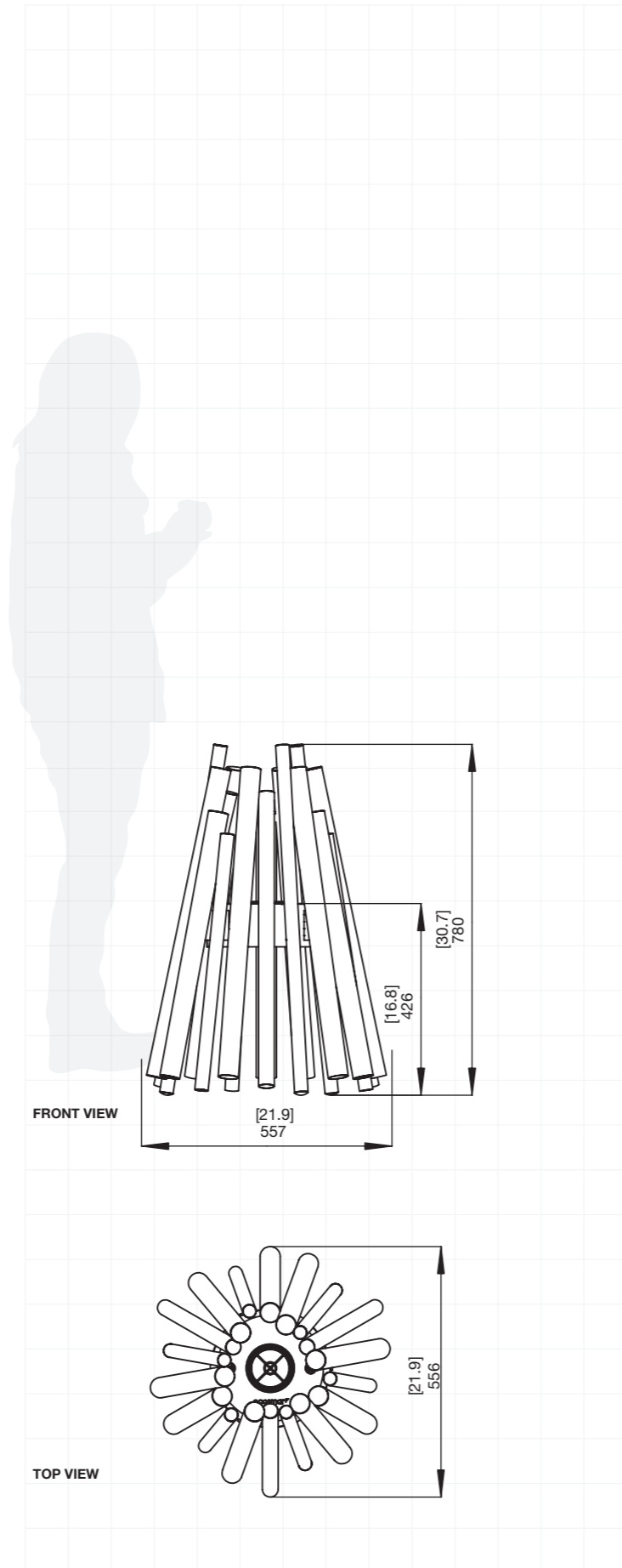
Awards	2011 DesignEx Best New Product (AUS) 2011 IIDA/HD Award for Excellence (USA)	
Application	Outdoor	
Materials	Grade 304 Stainless Steel, Mild Steel	
Weight	14kg [30.8lbs] Weight includes Burner.	
Colours & SKU's	<ul style="list-style-type: none"> Stainless Steel ESF.1.O.STX.SS Black ESF.1.O.STX.BL 	
Optional Accessories	Protective Cover	

BURNER INFORMATION*

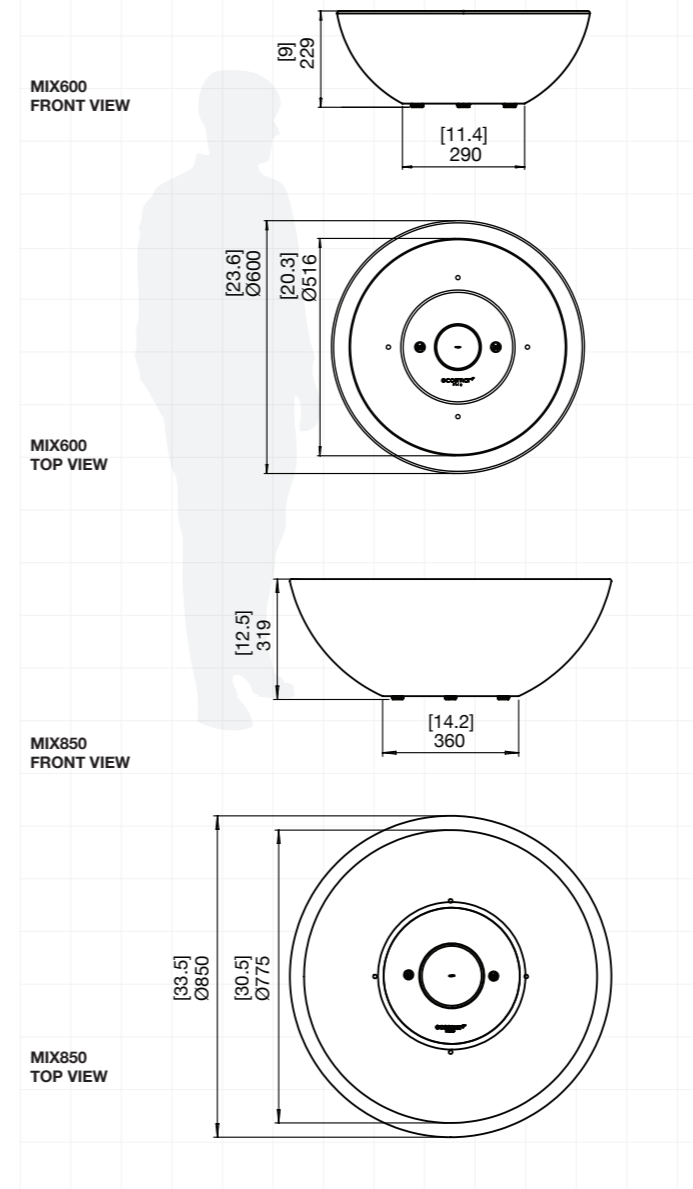
Burner	AB3
Fuel Type	e-NRG Bioethanol
Fuel Capacity	2.5 Litres [0.7 Gallons]
Heats on Average (when used indoors)	Over 20 square metres [215 square feet]
Burn Time	8 - 11 hours (approx)
Minimum Room Size	40 cubic metres [1413 cubic feet] per fireplace.

*These values are indicative only and may vary depending on the model purchased, installation, and the seasonal resource used to manufacture e-NRG.

Global Compliance
All burners are UL Listed in accordance with MH46715/Subject 1370 in the USA and comply with the ACCC Safety Mandate for Australia.



MIX FIRE BOWLS



Application	Outdoor	
Materials	Fluid™ Concrete Technology, Grade 304 Stainless Steel, Included Black Glass Charcoal	
Weight	47.6kg [104.8lbs] & 23.4kg [51.6lbs] Weight includes burner and black glass charcoal.	
Model SKU's	MIX850 = ESF.2.O. MX8 MIX600 = ESF.2.O. MX6	
Colours & SKU's	<ul style="list-style-type: none"> Natural ESF.2.O.(<i>model</i>).NA Bone ESF.2.O.(<i>model</i>).BO Graphite ESF.2.O.(<i>model</i>).GH 	

Optional Accessories Protective Covers

BURNER INFORMATION*

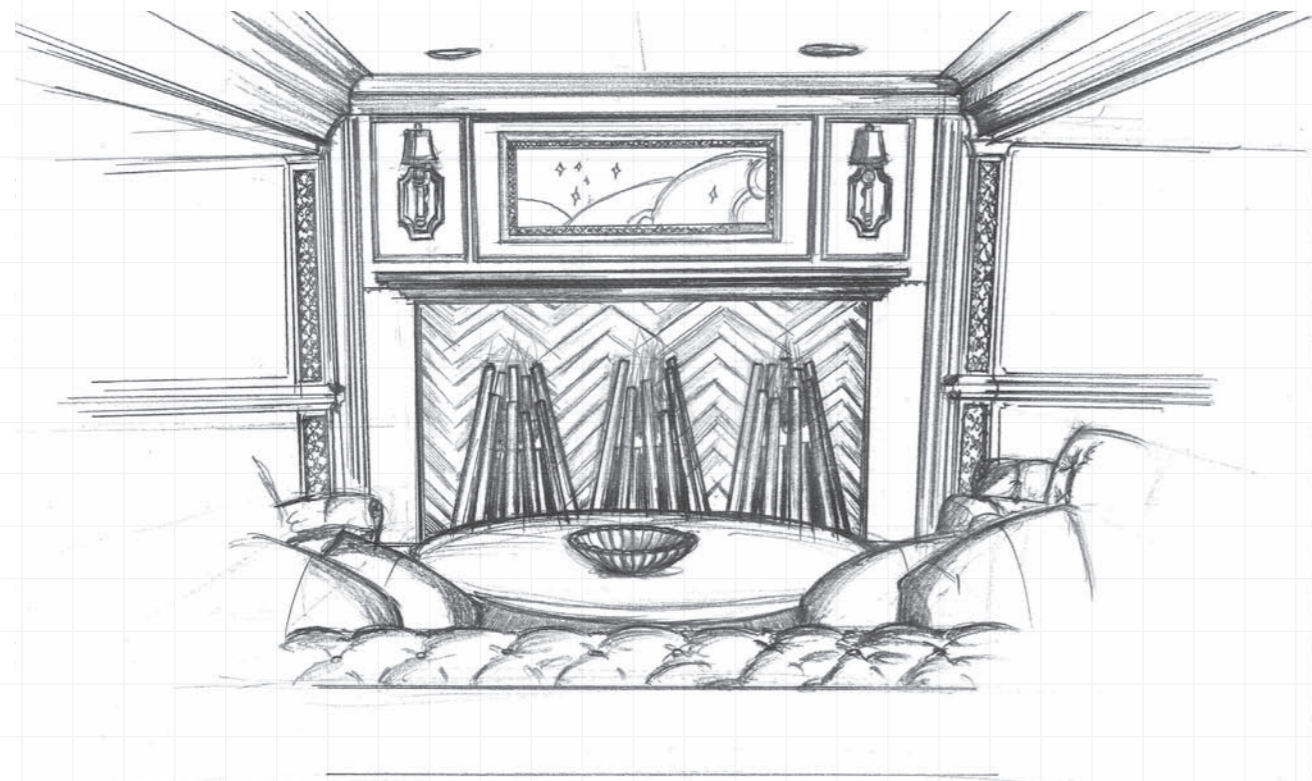
MIX850 Burner	AB8	AB8 (EN)
Heats on Average (when used indoors)	Over 60m ² [645ft ²]	Over 30m ² [322.9ft ²]
Burn Time (approx)	7 - 11 hrs	9 - 11 hrs
Fuel Type	e-NRG Bioethanol	
Fuel Capacity	8 Litres [2.1 Gallons]	
Minimum Room Size	116 cubic metres [4096 cubic feet] per fireplace.	

MIX600 Burner	AB3
Fuel Type	e-NRG Bioethanol
Fuel Capacity	2.5 Litres [0.7 Gallons]
Heats on Average (when used indoors)	Over 20 square metres [215 square feet]
Burn Time	8 - 11 hours (approx)
Minimum Room Size	40 cubic metres [1413 cubic feet] per fireplace.

*These values are indicative only and may vary depending on the model purchased, installation, and the seasonal resource used to manufacture e-NRG.

Global Compliance
All burners are UL Listed in accordance with MH46715/Subject 1370 in the USA and comply with the ACCC Safety Mandate for Australia.

This model comes with fixing brackets for permanently locating into a fixed position.



Brief: Use materials and furnishings in unexpected ways to achieve a theatrical feel in the Allegro Hotel's third floor lounge and meeting room.

Solution: Stix



Allegro Hotel, Chicago USA
Model: Stix x 3

Drama, glamour, music and movement – these are just some of the theatrical elements the award-winning Someone Deary Design Group captured in their re-design of the boutique Allegro Hotel in the heart of downtown Chicago.



Read more about this case study at ecosmartfire.com

FREESTANDING FIRE TABLES



Private Residence
Model: POD Series

Freedom, flexibility and eco-friendly functionality – EcoSmart’s freestanding bioethanol fireplaces add warmth, style and ambiance to living and entertaining spaces. Cleverly refashioning the traditional fireplace concept into a piece of portable fire furniture means that you can now enjoy the simple pleasures of an open fire in more places than ever before.

Relocate With Ease

Bioethanol outdoor fireplaces relocate with ease, and this portability is greatly enhanced by the self contained engineering of the EcoSmart system. There is no need for a utility connection, which means you can transform the look and feel of your outdoor entertaining area when desired.

Or, leave your fireplace in a permanent position on the patio and design an enchanting outdoor space using the fireplace as the focal point. It has never been this easy to design a backyard or courtyard that feels so inviting.

Optional Fire Screens

Pair with a toughened glass fire screen, which stabilises the flame in windy conditions and provides additional safety and comfort.

Decorative Media

Concrete models come with black glass charcoal.

Colours

Available in three natural concrete colours.

NATURAL GRAPHITE BONE



Environmentally-Friendly

Bioethanol fireplaces use an environmentally-friendly, renewable energy source that burns clean and delivers warming heat. You and your guests will enjoy the ambiance and tranquility of a real fire, without the hassles of burning real wood - no more embers, ash, and soot to clean up.

Quick and Easy

With no installation or building works required, simply unpack, put into position, and off you go.

Versatile and Incredibly Durable

EcoSmart portable fireplaces are versatile, incredibly durable, and are constructed of heavy-gauge glass and weather resistant materials. These appliances are designed to look great for years, and will perform admirably through all four seasons.

OPTIONAL ACCESSORIES










Fire Screens



Protective Covers

FREESTANDING

FIRE TABLES SPECIFICATIONS

COMPATIBLE BURNERS*	XL900	AB8	AB8 (EN)
Fuel Capacity	9 Litres [2.4 Gallons]	8 Litres [2.1 Gallons]	8 Litres [2.1 Gallons]
Heats on Average	Over 60m ² [645ft ²]	Over 60m ² [645ft ²]	Over 30m ² [322.9ft ²]
Approx. Burn Time	8 - 13 hours	7 - 11 hours	9 - 11 hours
Minimum Room Size (per fireplace)	110m ³ [3884ft ³]	116m ³ [4096ft ³]	116m ³ [4096ft ³]
Included Accessories Operational accessories designed for safe and ergonomic fire ignition and extinguishing.	 XL Baffles	 AB8 Efficiency Ring	 AB8 Efficiency Ring
	 Jerry Can	 Lighting Rod + Lighter	 Operations Manual
		 Black Glass Charcoal	

FIRE PITS

Ark40, Ark44		• †	• †
Base		• †	• †
Cosmo	• †		
Manhattan		• †	• †
Martini		• †	• †
POD30, POD40		• †	• †
Wharf	• †		

* These values are indicative only and may vary depending on the model purchased, installation, and the seasonal resource used to manufacture e-NRG.
 † This model comes with fixing brackets for permanently locating into a fixed position.



ARK44



Application	Outdoor						
Materials	Fluid Concrete Technology, Grade 304 Stainless Steel, Included Black Glass Charcoal						
Weight	77.9kg [171.5lbs] Weight includes burner and black glass charcoal.						
Colours & SKU's	<table border="0"> <tr> <td>■ Natural</td> <td>ESF.2.O.ARK.44.NA</td> </tr> <tr> <td>■ Bone</td> <td>ESF.2.O.ARK.44.BO</td> </tr> <tr> <td>■ Graphite</td> <td>ESF.2.O.ARK.44.GH</td> </tr> </table>	■ Natural	ESF.2.O.ARK.44.NA	■ Bone	ESF.2.O.ARK.44.BO	■ Graphite	ESF.2.O.ARK.44.GH
■ Natural	ESF.2.O.ARK.44.NA						
■ Bone	ESF.2.O.ARK.44.BO						
■ Graphite	ESF.2.O.ARK.44.GH						
Optional Accessories	Fire Screen, Protective Cover						

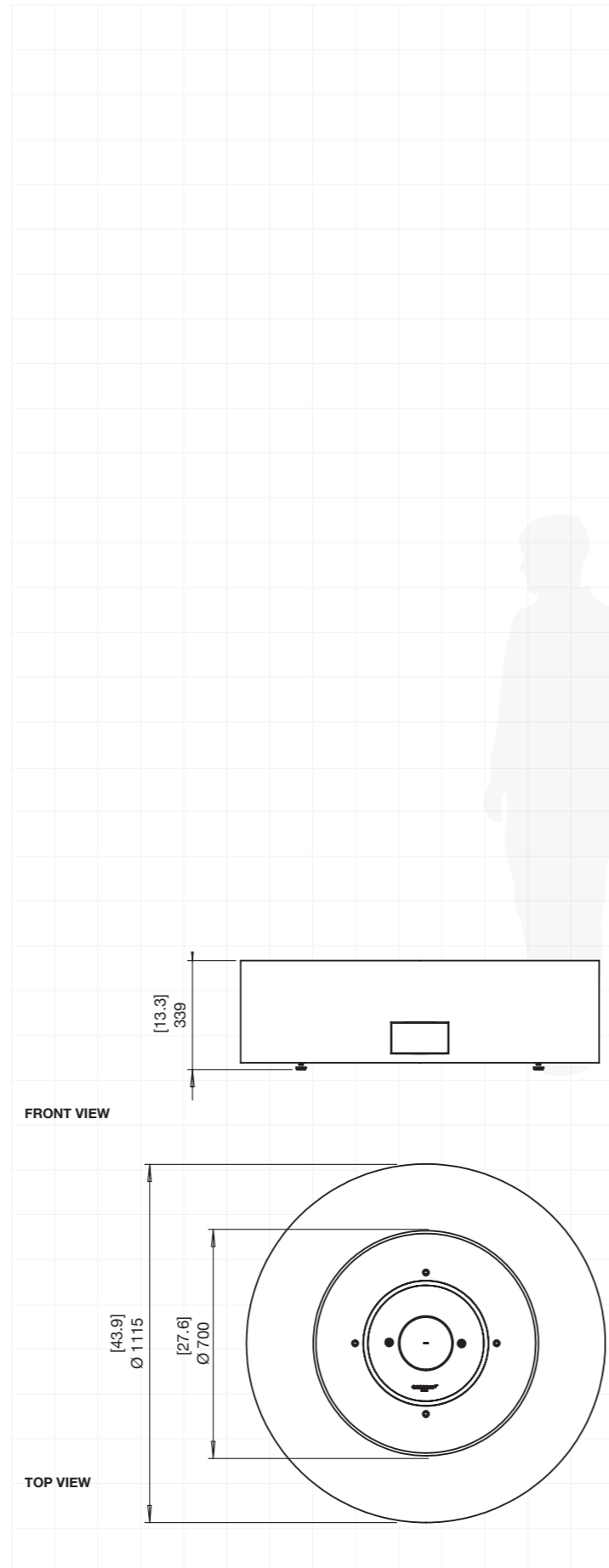
BURNER INFORMATION*

Burner	AB8	AB8 (EN)
Heats on Average (when used indoors)	Over 60m ² [645ft ²]	Over 30m ² [322.9ft ²]
Burn Time (approx)	7 - 11 hrs	9 - 11 hrs
Fuel Type	e-NRG Bioethanol	
Fuel Capacity	8 Litres [2.1 Gallons]	
Minimum Room Size	116 cubic metres [4096 cubic feet] per fireplace.	

*These values are indicative only and may vary depending on the model purchased, installation, and the seasonal resource used to manufacture e-NRG.

Global Compliance
All burners are UL Listed in accordance with MH46715/Subject 1370 in the USA and comply with the ACCC Safety Mandate for Australia.

This model comes with fixing brackets for permanently locating into a fixed position.



ARK40



Application	Outdoor						
Materials	Fluid Concrete Technology, Grade 304 Stainless Steel, Included Black Glass Charcoal						
Weight	61.1kg [134.5lbs] Weight includes burner and black glass charcoal.						
Colours & SKU's	<table border="0"> <tr> <td>■ Natural</td> <td>ESF.2.O.ARK.40.NA</td> </tr> <tr> <td>■ Bone</td> <td>ESF.2.O.ARK.40.BO</td> </tr> <tr> <td>■ Graphite</td> <td>ESF.2.O.ARK.40.GH</td> </tr> </table>	■ Natural	ESF.2.O.ARK.40.NA	■ Bone	ESF.2.O.ARK.40.BO	■ Graphite	ESF.2.O.ARK.40.GH
■ Natural	ESF.2.O.ARK.40.NA						
■ Bone	ESF.2.O.ARK.40.BO						
■ Graphite	ESF.2.O.ARK.40.GH						
Optional Accessories	Fire Screen, Protective Cover						

BURNER INFORMATION*

Burner	AB8	AB8 (EN)
Heats on Average (when used indoors)	Over 60m ² [645ft ²]	Over 30m ² [322.9ft ²]
Burn Time (approx)	7 - 11 hrs	9 - 11 hrs
Fuel Type	e-NRG Bioethanol	
Fuel Capacity	8 Litres [2.1 Gallons]	
Minimum Room Size	116 cubic metres [4096 cubic feet] per fireplace.	

* These values are indicative only and may vary depending on the model purchased, installation, and the seasonal resource used to manufacture e-NRG.

Global Compliance
All burners are UL Listed in accordance with MH46715/Subject 1370 in the USA and comply with the ACCC Safety Mandate for Australia.

This model comes with fixing brackets for permanently locating into a fixed position.

BASE



Application	Outdoor						
Materials	Fluid Concrete Technology, Grade 304 Stainless Steel, Included Black Glass Charcoal						
Weight	72.4kg [159.4lbs] Weight includes burner and black glass charcoal.						
Colours & SKU's	<table border="0"> <tr> <td>■ Natural</td> <td>ESF.2.O.BAS.NA</td> </tr> <tr> <td>■ Bone</td> <td>ESF.2.O.BAS.BO</td> </tr> <tr> <td>■ Graphite</td> <td>ESF.2.O.BAS.GH</td> </tr> </table>	■ Natural	ESF.2.O.BAS.NA	■ Bone	ESF.2.O.BAS.BO	■ Graphite	ESF.2.O.BAS.GH
■ Natural	ESF.2.O.BAS.NA						
■ Bone	ESF.2.O.BAS.BO						
■ Graphite	ESF.2.O.BAS.GH						
Optional Accessories	Fire Screen, Protective Cover						

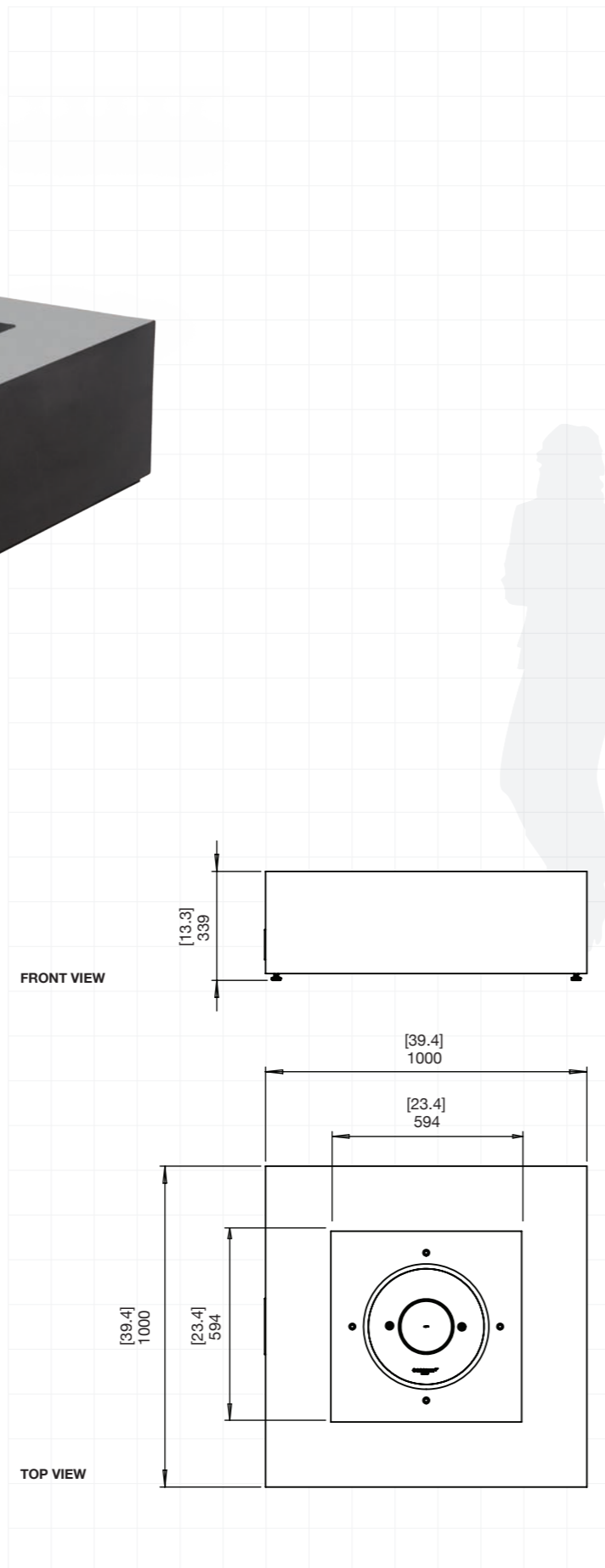
BURNER INFORMATION*

Burner	AB8	AB8 (EN)
Heats on Average (when used indoors)	Over 60m ² [645ft ²]	Over 30m ² [322.9ft ²]
Burn Time (approx)	7 - 11 hrs	9 - 11 hrs
Fuel Type	e-NRG Bioethanol	
Fuel Capacity	8 Litres [2.1 Gallons]	
Minimum Room Size	116 cubic metres [4096 cubic feet] per fireplace.	

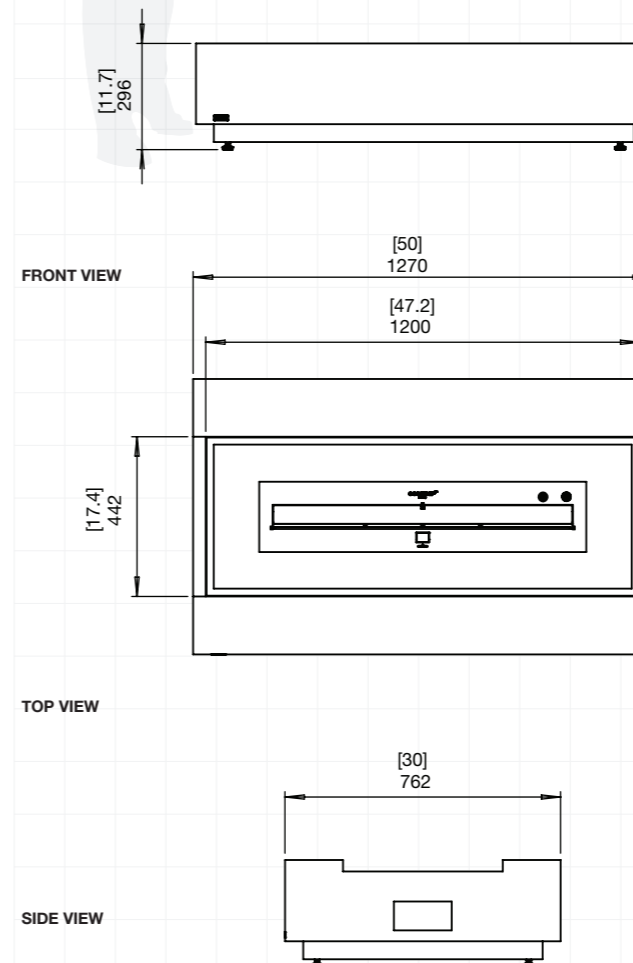
* These values are indicative only and may vary depending on the model purchased, installation, and the seasonal resource used to manufacture e-NRG.

Global Compliance
All burners are UL Listed in accordance with MH46715/Subject 1370 in the USA and comply with the ACCC Safety Mandate for Australia.

This model comes with fixing brackets for permanently locating into a fixed position.



COSMO



Application	Outdoor						
Materials	Fluid Concrete Technology, Grade 304 Stainless Steel, Included Black Glass Charcoal						
Weight	98kg [215.6lbs] Weight includes burner and black glass charcoal.						
Colours & SKU's	<table border="0"> <tr> <td>■ Natural</td> <td>ESF.1.O.CMO.NA</td> </tr> <tr> <td>■ Bone</td> <td>ESF.1.O.CMO.BO</td> </tr> <tr> <td>■ Graphite</td> <td>ESF.1.O.CMO.GH</td> </tr> </table>	■ Natural	ESF.1.O.CMO.NA	■ Bone	ESF.1.O.CMO.BO	■ Graphite	ESF.1.O.CMO.GH
■ Natural	ESF.1.O.CMO.NA						
■ Bone	ESF.1.O.CMO.BO						
■ Graphite	ESF.1.O.CMO.GH						
Optional Accessories	Fire Screen, Protective Cover						

BURNER INFORMATION*

Burner	XL900
Fuel Type	e-NRG Bioethanol
Fuel Capacity	9 Litres [2.4 Gallons]
Heats on Average (when used indoors)	Over 60 square metres [645 square feet]
Burn Time	8 - 13 hours (approx)
Minimum Room Size	110 cubic metres [3884 cubic feet] per fireplace.

*These values are indicative only and may vary depending on the model purchased, installation, and the seasonal resource used to manufacture e-NRG.

Global Compliance
All burners are UL Listed in accordance with MH46715/Subject 1370 in the USA and comply with the ACCC Safety Mandate for Australia.

This model comes with fixing brackets for permanently locating into a fixed position.

MANHATTAN



Application	Outdoor							
Materials	Fluid Concrete Technology, Grade 304 Stainless Steel, Included Black Glass Charcoal							
Weight	56.5kg [124.3lbs] Weight includes burner and black glass charcoal.							
Colours & SKU's	<table border="0"> <tr> <td>■ Natural</td> <td>ESF.1.O.MHA.NA</td> </tr> <tr> <td>■ Bone</td> <td>ESF.1.O.MHA.BO</td> </tr> <tr> <td>■ Graphite</td> <td>ESF.1.O.MHA.GH</td> </tr> </table>	■ Natural	ESF.1.O.MHA.NA	■ Bone	ESF.1.O.MHA.BO	■ Graphite	ESF.1.O.MHA.GH	
■ Natural	ESF.1.O.MHA.NA							
■ Bone	ESF.1.O.MHA.BO							
■ Graphite	ESF.1.O.MHA.GH							
Optional Accessories	Fire Screen, Protective Cover							

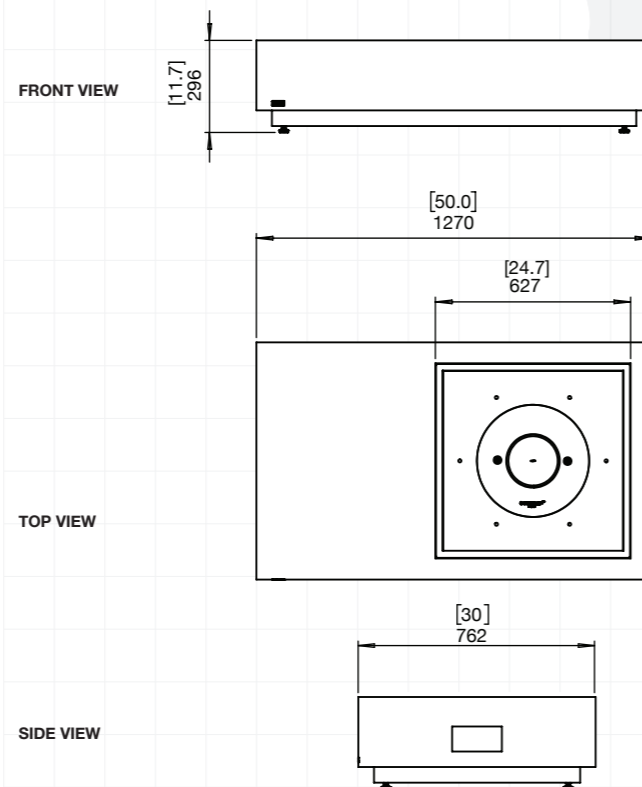
BURNER INFORMATION*

Burner	AB8	AB8 (EN)
Heats on Average (when used indoors)	Over 60m ² [645ft ²]	Over 30m ² [322.9ft ²]
Burn Time (approx)	7 - 11 hrs	9 - 11 hrs
Fuel Type	e-NRG Bioethanol	
Fuel Capacity	8 Litres [2.1 Gallons]	
Minimum Room Size	116 cubic metres [4096 cubic feet] per fireplace.	

*These values are indicative only and may vary depending on the model purchased, installation, and the seasonal resource used to manufacture e-NRG.

Global Compliance
All burners are UL Listed in accordance with MH46715/Subject 1370 in the USA and comply with the ACCC Safety Mandate for Australia.

This model comes with fixing brackets for permanently locating into a fixed position.



MARTINI



Application	Outdoor							
Materials	Fluid Concrete Technology, Grade 304 Stainless Steel, Included Black Glass Charcoal							
Weight	55.9kg [123.1lbs] Weight includes burner and black glass charcoal.							
Colours & SKU's	<table border="0"> <tr> <td>■ Natural</td> <td>ESF.1.O.MTI.NA</td> </tr> <tr> <td>■ Bone</td> <td>ESF.1.O.MTI.BO</td> </tr> <tr> <td>■ Graphite</td> <td>ESF.1.O.MTI.GH</td> </tr> </table>	■ Natural	ESF.1.O.MTI.NA	■ Bone	ESF.1.O.MTI.BO	■ Graphite	ESF.1.O.MTI.GH	
■ Natural	ESF.1.O.MTI.NA							
■ Bone	ESF.1.O.MTI.BO							
■ Graphite	ESF.1.O.MTI.GH							
Optional Accessories	Fire Screen, Protective Cover							

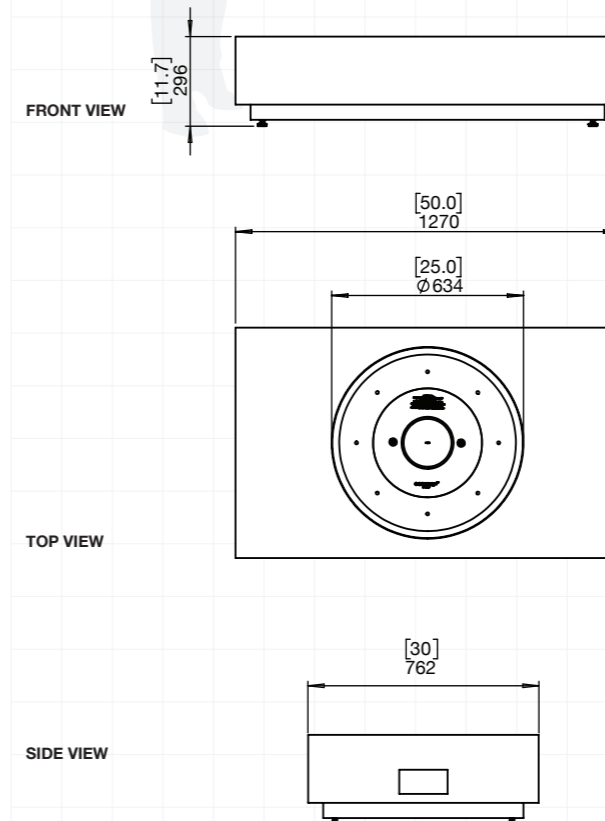
BURNER INFORMATION*

Burner	AB8	AB8 (EN)
Heats on Average (when used indoors)	Over 60m ² [645ft ²]	Over 30m ² [322.9ft ²]
Burn Time (approx)	7 - 11 hrs	9 - 11 hrs
Fuel Type	e-NRG Bioethanol	
Fuel Capacity	8 Litres [2.1 Gallons]	
Minimum Room Size	116 cubic metres [4096 cubic feet] per fireplace.	

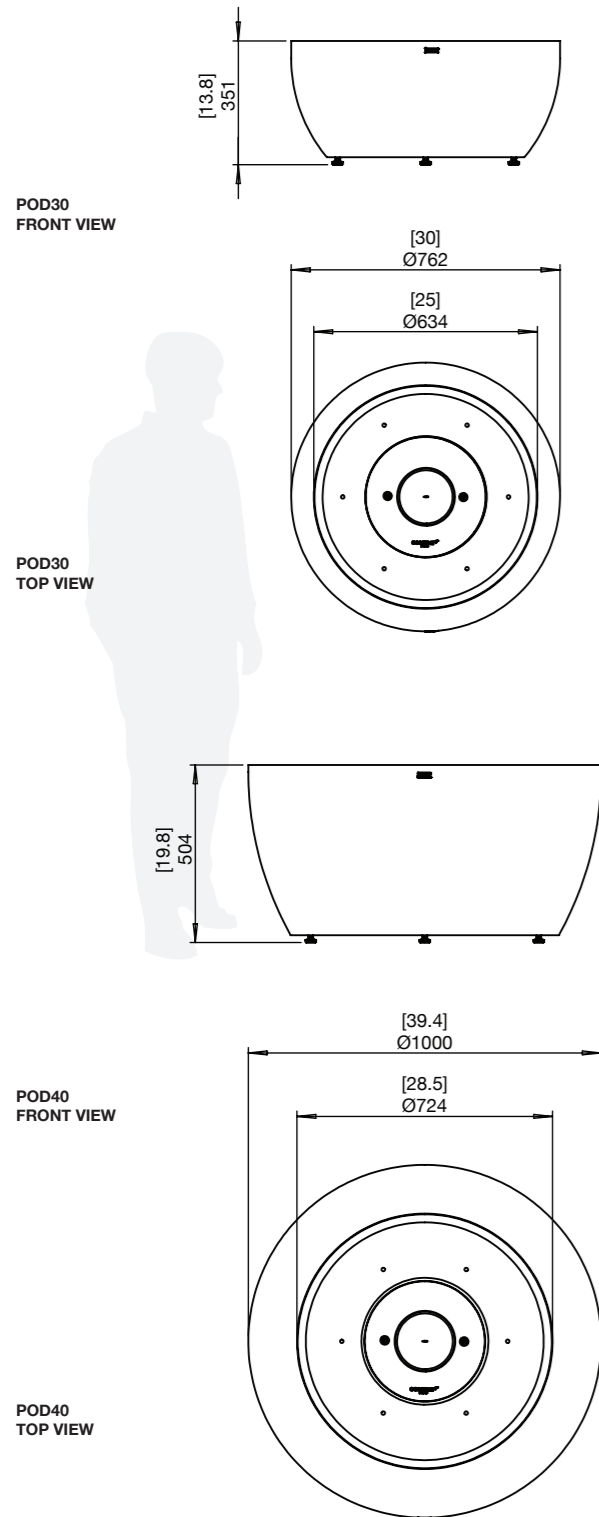
*These values are indicative only and may vary depending on the model purchased, installation, and the seasonal resource used to manufacture e-NRG.

Global Compliance
All burners are UL Listed in accordance with MH46715/Subject 1370 in the USA and comply with the ACCC Safety Mandate for Australia.

This model comes with fixing brackets for permanently locating into a fixed position.



POD SERIES



POD30
FRONT VIEW

POD30
TOP VIEW

POD40
FRONT VIEW

POD40
TOP VIEW



Application	Outdoor	
Materials	Fluid Concrete Technology, Grade 304 Stainless Steel, Included Black Glass Charcoal	
Weight	42.9kg [94.5lbs] & 53.9kg [118.7lbs] Weight includes burner and black glass charcoal.	
Model SKU's	POD30 = ESF.1.O. <i>PD3</i> POD40 = ESF.1.O. <i>PD4</i>	
Colours & SKU's	<ul style="list-style-type: none"> Natural Bone Graphite 	<ul style="list-style-type: none"> ESF.1.O.(<i>model</i>).NA ESF.1.O.(<i>model</i>).BO ESF.1.O.(<i>model</i>).GH
Optional Accessories	Fire Screen, Protective Cover	

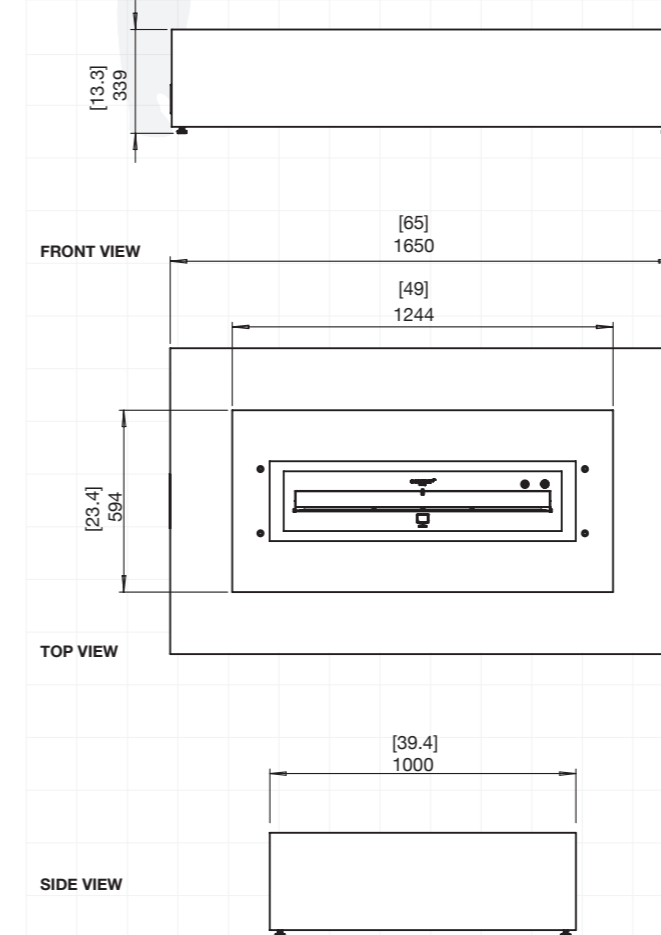
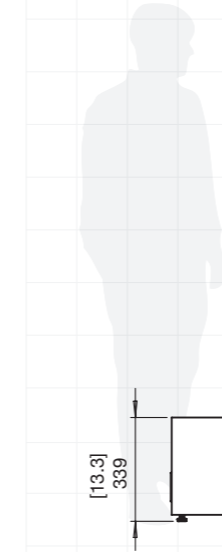
BURNER INFORMATION*		
Burner	AB8	AB8 (EN)
Heats on Average (when used indoors)	Over 60m ² [645ft ²]	Over 30m ² [322.9ft ²]
Burn Time (approx)	7 - 11 hrs	9 - 11 hrs
Fuel Type	e-NRG Bioethanol	
Fuel Capacity	8 Litres [2.1 Gallons]	
Minimum Room Size	116 cubic metres [4096 cubic feet] per fireplace.	

*These values are indicative only and may vary depending on the model purchased, installation, and the seasonal resource used to manufacture e-NRG.

Global Compliance
All burners are UL Listed in accordance with MH46715/Subject 1370 in the USA and comply with the ACCC Safety Mandate for Australia.

This model comes with fixing brackets for permanently locating into a fixed position.

WHARF



FRONT VIEW

TOP VIEW

SIDE VIEW

Application	Outdoor	
Materials	Fluid Concrete Technology, Grade 304 Stainless Steel, Included Black Glass Charcoal	
Weight	119.3kg [262.5lbs] Weight includes burner and black glass charcoal.	
Colours & SKU's	<ul style="list-style-type: none"> Natural Bone Graphite 	<ul style="list-style-type: none"> ESF.2.O.WHF.NA ESF.2.O.WHF.BO ESF.2.O.WHF.GH
Optional Accessories	Fire Screen, Protective Cover	

BURNER INFORMATION*	
Burner	XL900
Fuel Type	e-NRG Bioethanol
Fuel Capacity	9 Litres [2.4 Gallons]
Heats on Average (when used indoors)	Over 60 square metres [645 square feet]
Burn Time	8 - 13 hours (approx)
Minimum Room Size	110 cubic metres [3884 cubic feet] per fireplace.

*These values are indicative only and may vary depending on the model purchased, installation, and the seasonal resource used to manufacture e-NRG.

Global Compliance
All burners are UL Listed in accordance with MH46715/Subject 1370 in the USA and comply with the ACCC Safety Mandate for Australia.

This model comes with fixing brackets for permanently locating into a fixed position.

FREESTANDING DESIGNER FIREPLACES



Commercial Space, Japan
Model: Igloo

EcoSmart Fire's collection of freestanding fire design solutions add amazing warmth and remarkable ambiance to all environments - without the fuss, without any building work, and without any mess.

No Flue, No Chimney, No Electricity Connection

Our freestanding fireplaces offer an easy and immediate, environmentally friendly solution to adding warmth and ambience to any location.

Portable Fireplace

You'll have the ability to move these contemporary, stylish pieces of portable furniture from room to room. Or, relocate your bioethanol fireplace from inside your residence to the outside during parties or festivities and store away through the warmer months if space is an issue. And take it with you if you move house!

Glass Surround

Made with Toughened Glass.

Stainless Steel

Burner Shelf and Burners come in Stainless Steel.





Quick and Easy

With no installation or building works required, simply unpack, put into position, and off you go.



FREESTANDING

DESIGNER FIREPLACES SPECIFICATIONS

COMPATIBLE BURNERS*	BK5	AB3
Fuel Capacity	5 Litres [1.3 Gallons]	2.5 Litres [0.7 Gallons]
Heats on Average	Over 35m ² [376.7ft ²]	Over 20m ² [215ft ²]
Approx. Burn Time	7 - 11 hours	8 - 11 hours
Minimum Room Size (per fireplace)	70m ³ [2472ft ³]	40m ³ [1413 ft ³]
Included Accessories Operational accessories designed for safe and ergonomic fire ignition and extinguishing.	 Top Tray	 AB3 Extension Spout
	 Jerry Can	 Lighting Rod + Lighter

FIRE PITS

Ghost		• ^
Igloo	• ^	

* These values are indicative only and may vary depending on the model purchased, installation, and the seasonal resource used to manufacture e-NRG.
^ This model conforms to EN16647.



Igloo



Ghost

IGLOO



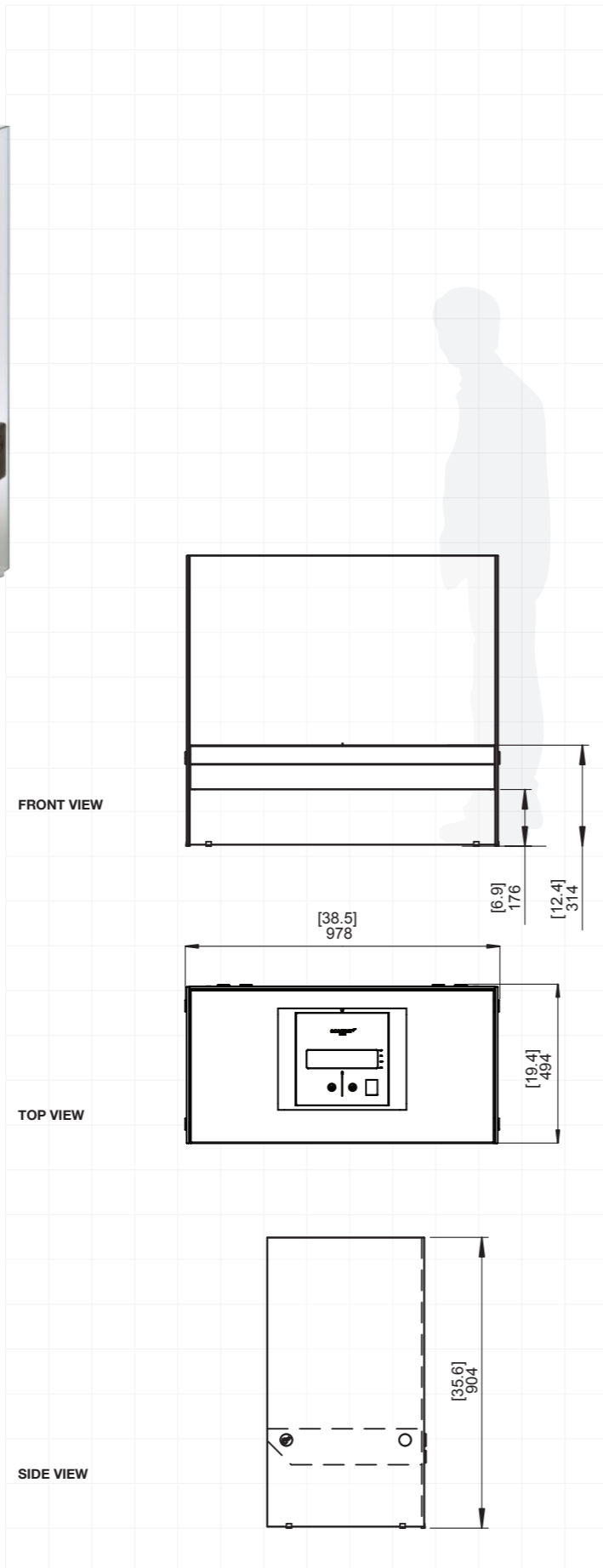
Application	Indoor & Outdoor
Materials	Grade 304 Stainless Steel, Toughened Glass
Weight	54.1kg [118.9lbs] Weight includes burner.
Colour & SKU	Stainless Steel ESF.1.D.IGL
Optional Accessories	Plasma Fire Screen, Decorative Steel Logs

BURNER INFORMATION*

Burner	BK Series
Fuel Type	e-NRG Bioethanol
Fuel Capacity	5 Litres [1.3 Gallons]
Heats on Average (when used indoors)	Over 35 square metres [376.7 square feet]
Burn Time	7 - 11 hours (approx)
Minimum Room Size	70 cubic metres [2472 cubic feet] per fireplace.

*These values are indicative only and may vary depending on the model purchased, installation, and the seasonal resource used to manufacture e-NRG.

Global Compliance
All burners are UL Listed in accordance with MH46715/Subject1370 in the USA, Certified by BSI in accordance with EN16647 (excluding VB2), and comply with the ACCC Safety Mandate for Australia.



GHOST



Application	Indoor & Outdoor
Materials	Grade 304 Stainless Steel, Toughened Glass
Weight	33.1kg [72.9lbs] Weight includes burner.
Colour & SKU	Stainless Steel ESF.1.D.GST
Optional Accessories	Attachable Fire Screen, Decorative Steel Logs

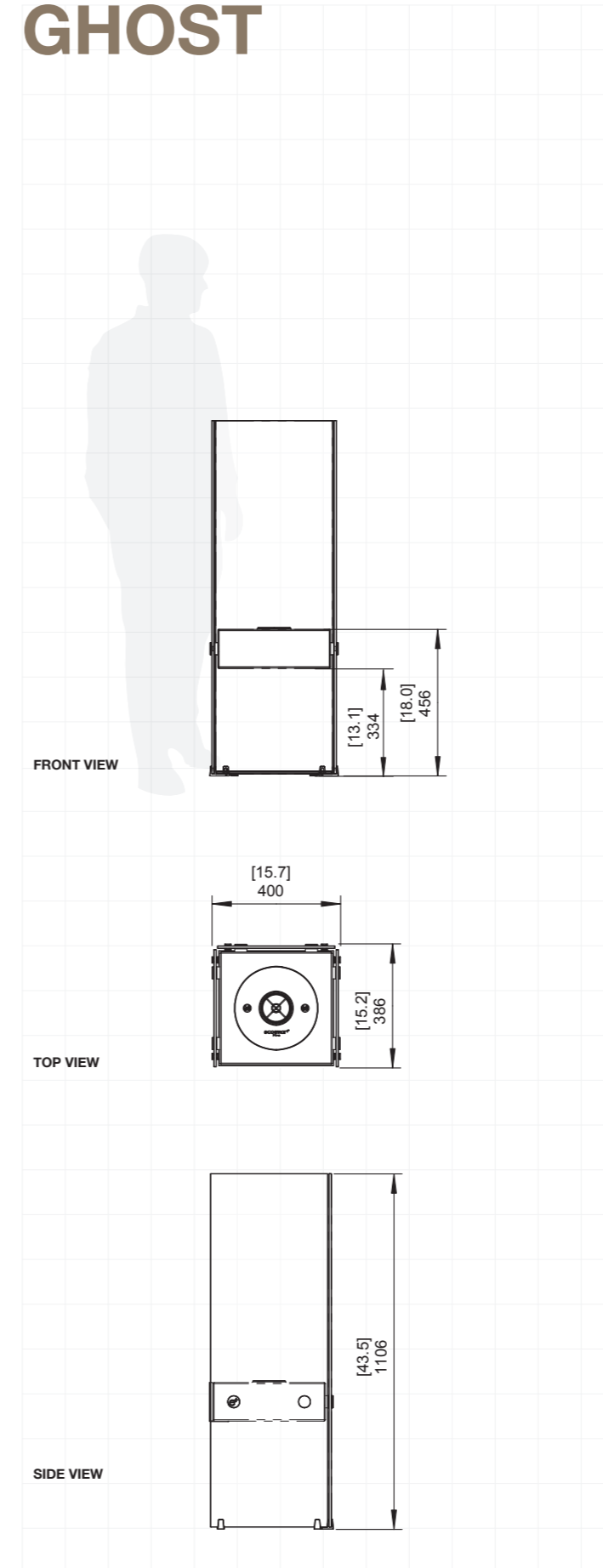
BURNER INFORMATION*

Burner	AB3
Fuel Type	e-NRG Bioethanol
Fuel Capacity	2.5 Litres [0.7 Gallons]
Heats on Average (when used indoors)	Over 20 square metres [215 square feet]
Burn Time	8 - 11 hours (approx)
Minimum Room Size	40 cubic metres [1413 cubic feet] per fireplace.

*These values are indicative only and may vary depending on the model purchased, installation, and the seasonal resource used to manufacture e-NRG.

Global Compliance
All burners are UL Listed in accordance with MH46715/Subject1370 in the USA, Certified by BSI in accordance with EN16647 (excluding VB2), and comply with the ACCC Safety Mandate for Australia.

Logs not included.



ACCESSORIES

SCREENS, COVERS, FIXING & DECORATIVE MEDIA



ACCESSORIES

SCREENS, COVERS, FIXING & FURNITURE



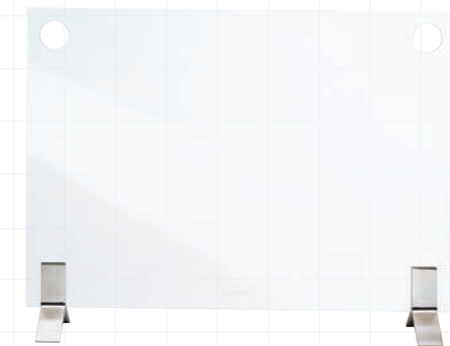
Protective Covers



Accessory Holder



Decorative Steel Logs



Fire Screens



Decorative Black Glass Charcoal



Twin Feet Fixings



Echo Fixings

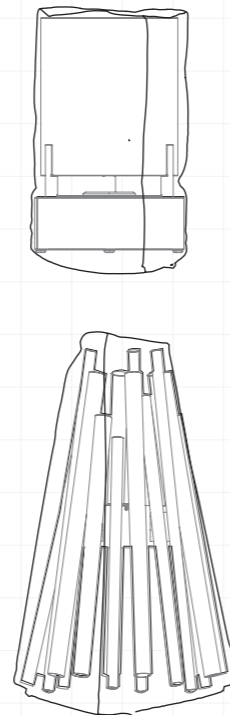
PROTECTIVE COVERS



Application	Indoor & Outdoor	
Materials	Coated Polyester	
Available for:	Ark40	ESF.1.A.C.ARK.40
	Ark44	ESF.1.A.C.ARK.44
	Base	ESF.1.A.C.BAS
	Cosmo	ESF.1.A.C.CMO
	Cyl*	ESF.1.A.C.CYL
	Ghost	ESF.1.A.C.GST
	Glow	ESF.1.A.C.GLO
	Lighthouse 150*	ESF.1.A.C.LH1
	Lighthouse 300*	ESF.1.A.C.LH3
	Lighthouse 600*	ESF.1.A.C.LH6
	Loft 3	ESF.1.A.C.LFT3
	Loft 8	ESF.1.A.C.LFT8
	Manhattan	ESF.1.A.C.MHA
	Martini	ESF.1.A.C.MTI
	Mini T*	ESF.1.A.C.MNT
	MIX600	ESF.1.A.C.MX6
	MIX850	ESF.1.A.C.MX8
	POD30	ESF.1.A.C.PD3
	POD40	ESF.1.A.C.PD4
	Stix	ESF.1.A.C.STX
	Wharf	ESF.1.A.C.WHF

Take care and protect your investment by using our high quality protective outdoor covers. Made from stain resistant, water resistant material these custom covers are an essential accessory to maintain your product for years to come.

* Not available in Australia



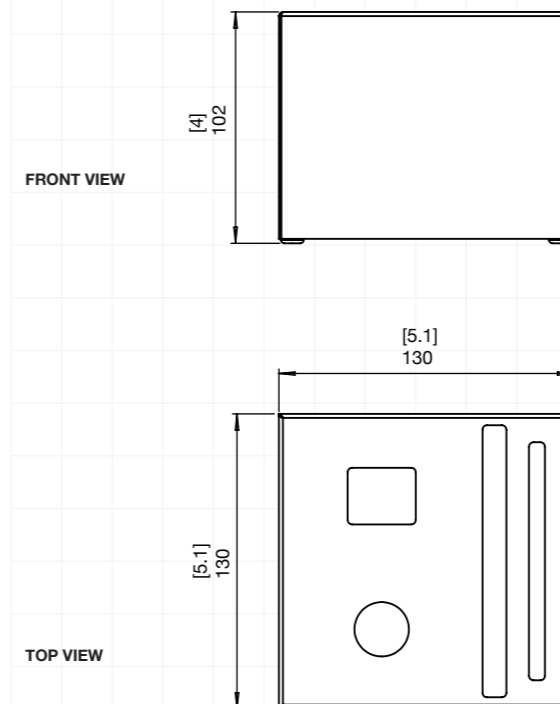
ACCESSORY HOLDER



Application	Indoor & Outdoor
Materials	Grade 304 Stainless steel
Weight	1kg [2.2lbs]
SKU	ESF.1.A.ACH

Holds the Lighter, Lighting Rod and AB3 Burner Lid, or the AB8 Burner Lid and Efficiency Ring.

Accessories not included.

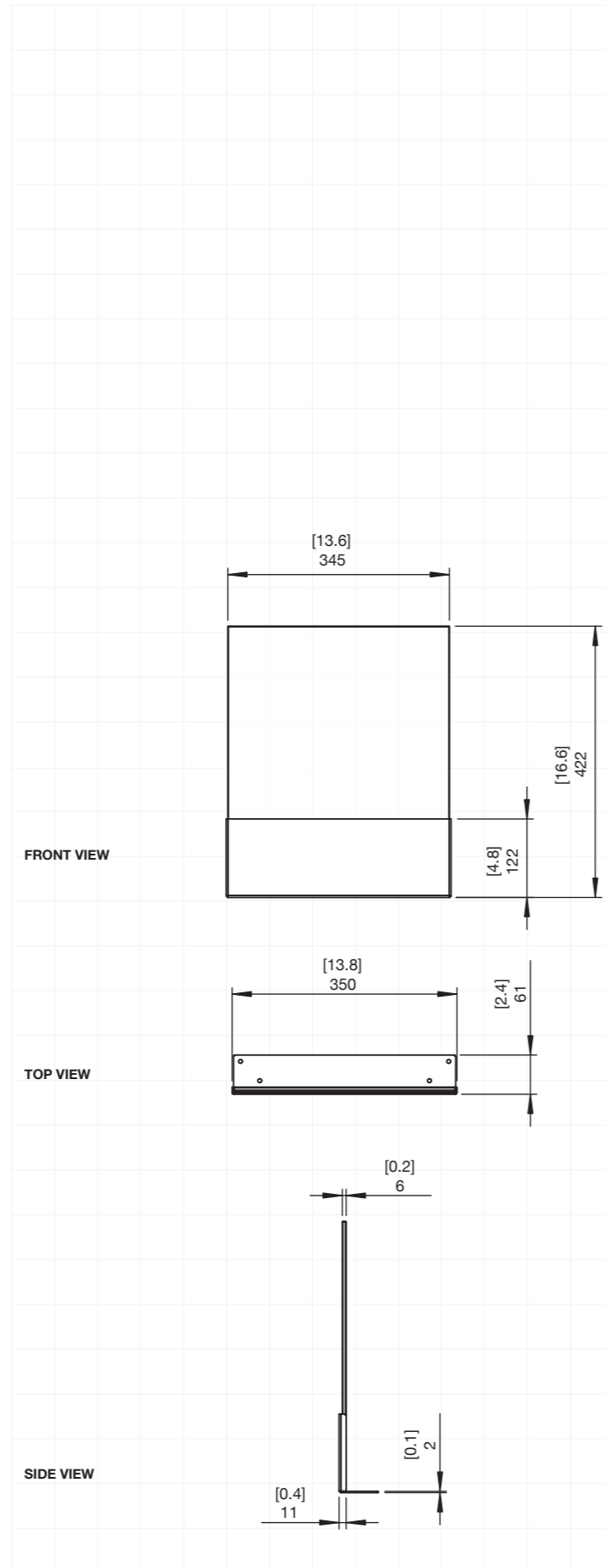


GHOST FIRE SCREEN



Application	Indoor & Outdoor
Materials	Toughened Glass, Stainless Steel
Weight	2.9kg [6.3lbs]
SKU	ESF.1.A.G.GST
Compatible Model	Ghost

The Ghost Fire Screen attaches seamlessly to the front face of the Ghost Portable Fireplace.

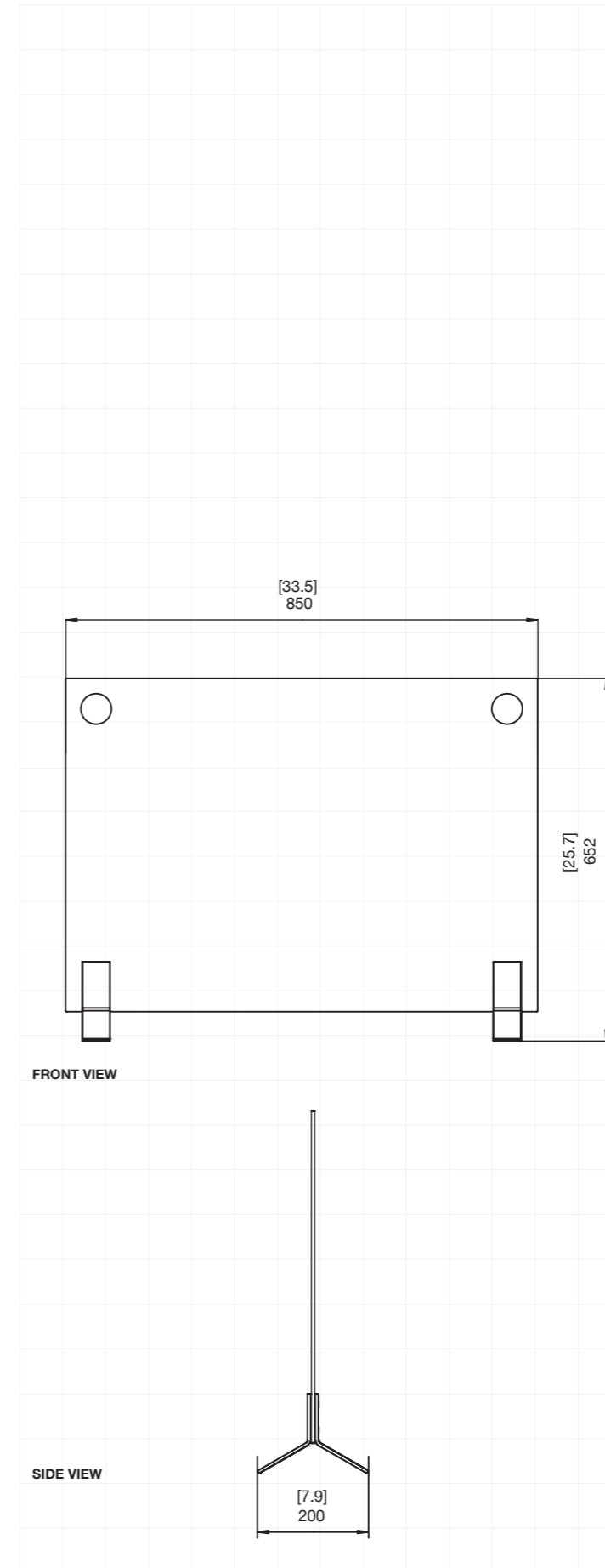


PLASMA FIRE SCREEN



Application	Indoor & Outdoor
Materials	Toughened Glass, Grade 304 Stainless Steel
Weight	9.1kg [20.1lbs]
SKU	ESF.1.A.G.PLA

The Plasma Fire Screen features two handles positioned either side. The Plasma is supported by simple stainless steel feet that are clamped to the base of the flat pane of glass, elevating the screen as if floating while providing enhanced stability.



FIRE SCREENS



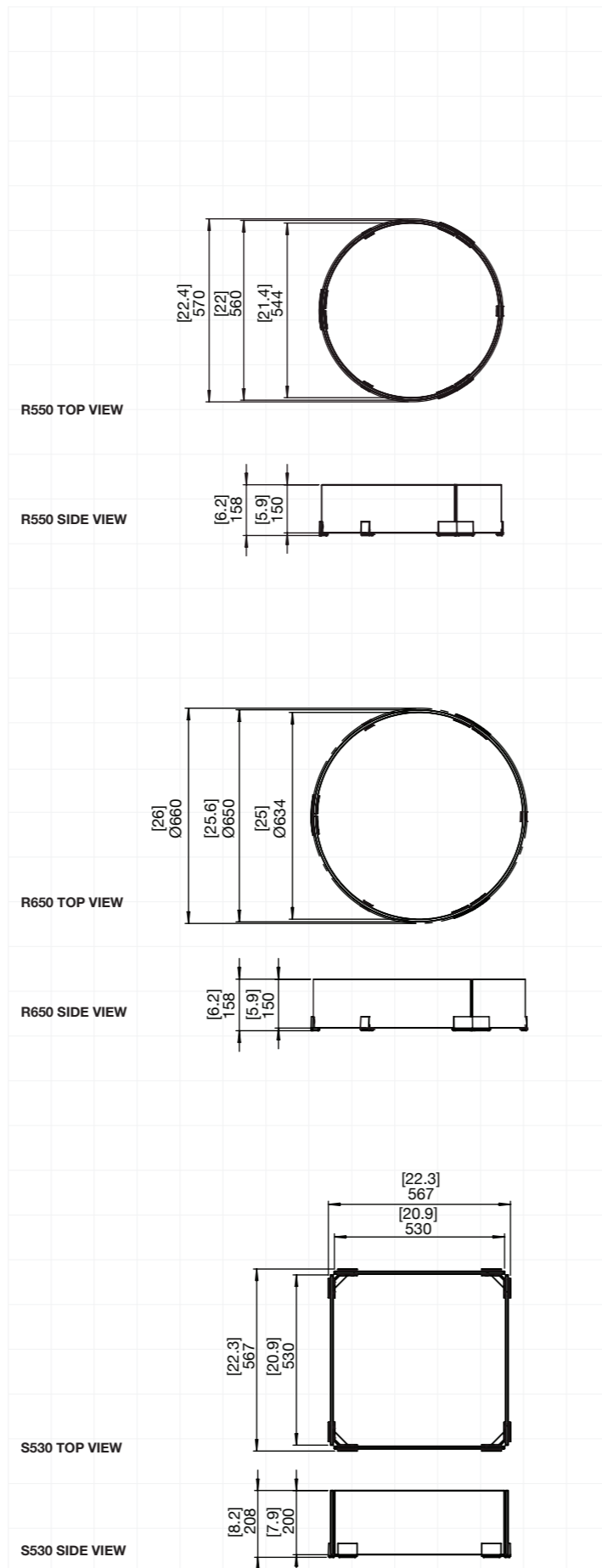
Application	Indoor & Outdoor
Materials	Toughened Glass, Polycarbonate Connectors

R550	
Weight	4.7kg [10.3lbs]
SKU	BLD.2.A.G.R550
Compatible Model	Martini, POD30, Ark40

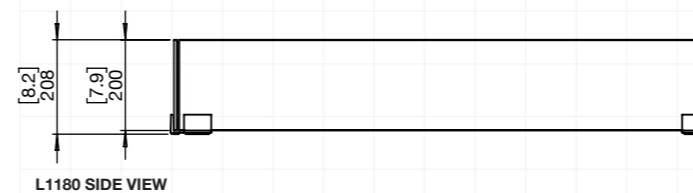
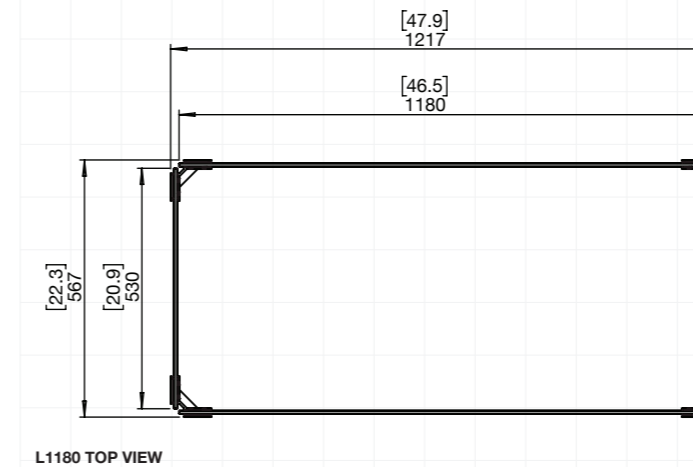
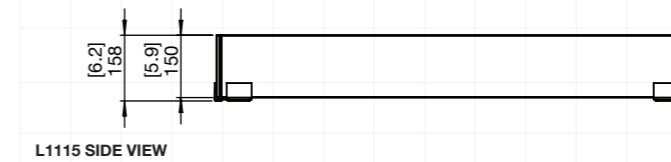
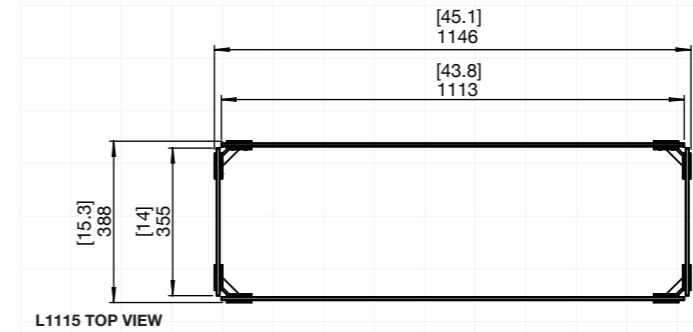
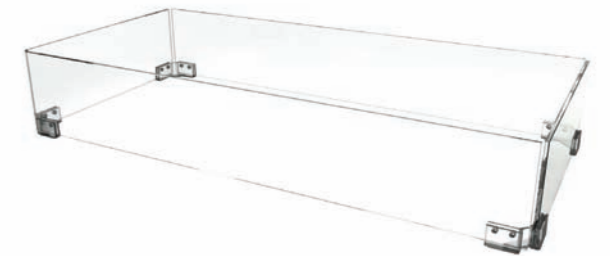
R650	
Weight	5.8kg [12.8lbs]
SKU	BLD.2.A.G.R650
Compatible Model	Ark44, POD40

S530	
Weight	8.2kg [18lbs]
SKU	BLD.2.A.G.S530
Compatible Model	Base, Manhattan

A highly desired accessory to an outdoor fireplace, these toughened glass fire screens feature frosted polycarbonate connectors which disappear once in place. While completely optional, glass screens stabilise the flame in windy conditions and provide an added layer of safety, peace of mind and comfort.



FIRE SCREENS



Application	Indoor & Outdoor
Materials	Toughened Glass, Polycarbonate Connectors

L1115	
Weight	9.5kg [20.9 lbs]
SKU	BLD.2.A.G.L1115
Compatible Model	Cosmo

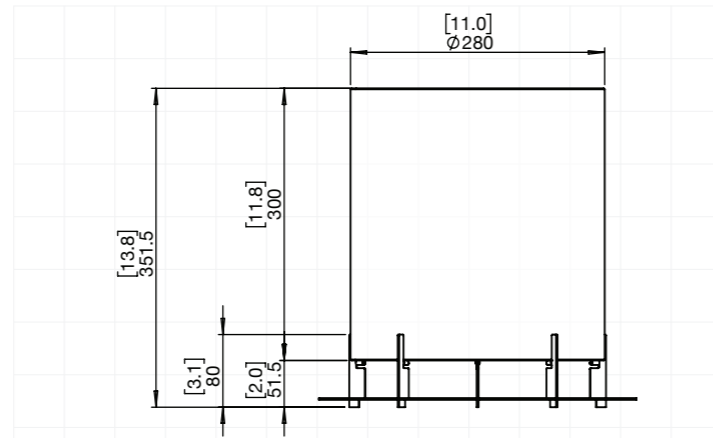
L1180	
Weight	11.4kg [25.1lbs]
SKU	BLD.2.A.G.L1180
Compatible Model	Wharf

A highly desired accessory to an outdoor fireplace, these toughened glass fire screens feature frosted polycarbonate connectors which disappear once in place. While completely optional, glass screens stabilise the flame in windy conditions and provide an added layer of safety, peace of mind and comfort.

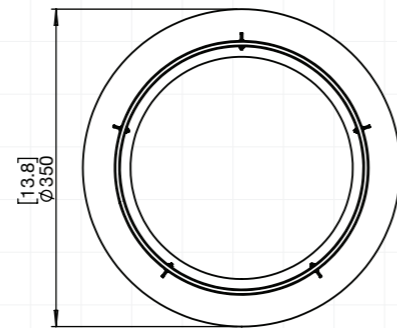
LOFT FIRE SCREENS



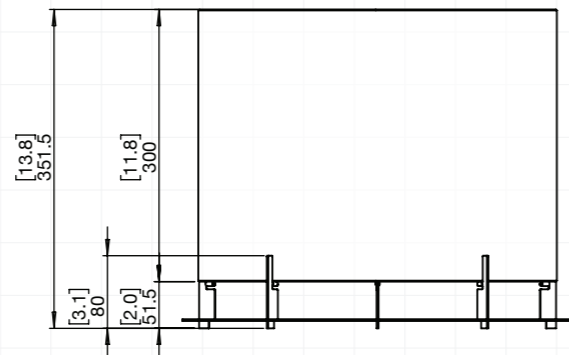
Application	Indoor & Outdoor
Materials	Mouth Blown Glass, Stainless Steel
Weight	0.8kg [1.8lbs]
Optional Accessories	Protective Cover
LOFT 3	
SKU	ESF.2.A.LFT3
Compatible Burner	AB3
LOFT 8	
SKU	ESF.2.A.LFT3
Compatible Burner	AB8



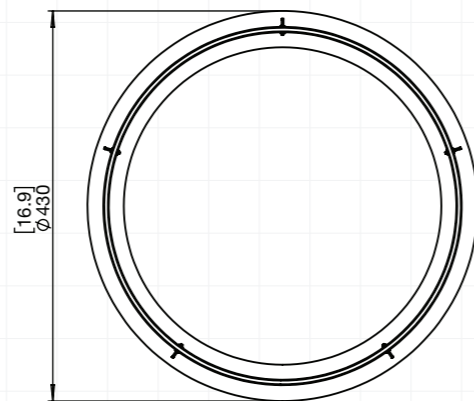
LOFT 3
FRONT VIEW



LOFT 3
TOP VIEW



LOFT 8
FRONT VIEW



LOFT 8
TOP VIEW

DECORATIVE MEDIA



STEEL LOGS
COPPER



STEEL LOGS
BRASS



GLASS CHARCOAL

Steel Logs		
Application	Indoor & Outdoor	
Weight	6kg [13.2lbs] 1 Set	
Colours & SKU's	Brass	BLD.1.LOGS.BR
	Copper	BLD.1.LOGS.CP

EcoSmart Fire offers non-combustible logs as an optional, eye-catching accessory. Made from stainless steel with a patina finish, they are available in two different finishes: Brass or Copper.

Each set consists of 8 logs, in four different sizes:
 Size 1: Ø 58mm x L 300mm x 2
 Size 2: Ø 74mm x L 330mm x 2
 Size 3: Ø 78mm x L 340mm x 2
 Size 4: Ø 87mm x L 320mm x 2

Black Glass Charcoal	
Application	Indoor & Outdoor
Compatible Models	MIX Fire Bowls, Martini, POD Series, Flex Series, Burner Installations
Weight	7.5kg [16.5lbs] Bag
SKU's	ESF.1.A.CGM

Our Black Glass Charcoal complement and complete our concrete models and all Flex fireplaces. They also add the finishing touch to complete custom burner installations to complete your design aesthetic.

Do not place decorative media directly on top of the burner or anywhere they can interfere with the operation of the burner or the stability of flame.

TWIN FEET FIXINGS

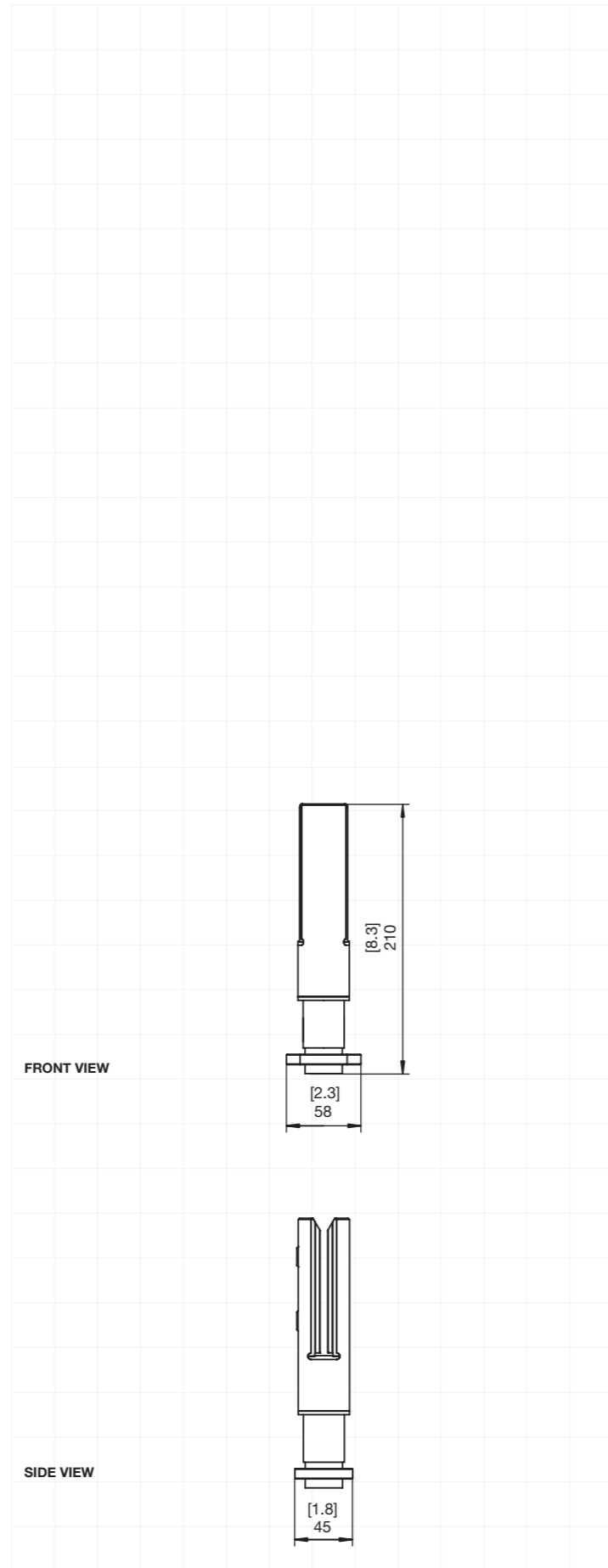
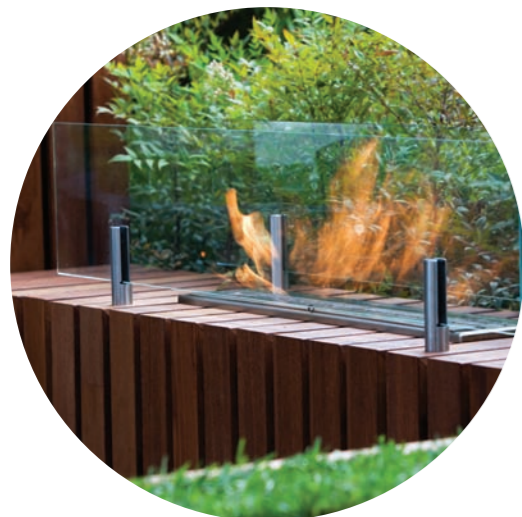


Application	Indoor & Outdoor
Materials	Grade 304 Stainless Steel
Weight	3kg, [6.5lbs]
SKU	ESF.1.A.TFF

Designed to lock a glass fire screen into position, these stainless steel feet provide permanent stability, and at the same time allow for easy removal for refueling and maintenance. This unique glass fixing system ensures that the screen cannot be knocked down by children and pets as well as ensuring safety in public places such as bars and restaurants.

Compatible with 8mm toughened glass.

NOTE: Glass panel is not included. Contact your distributor for glass dimensions and drawings.



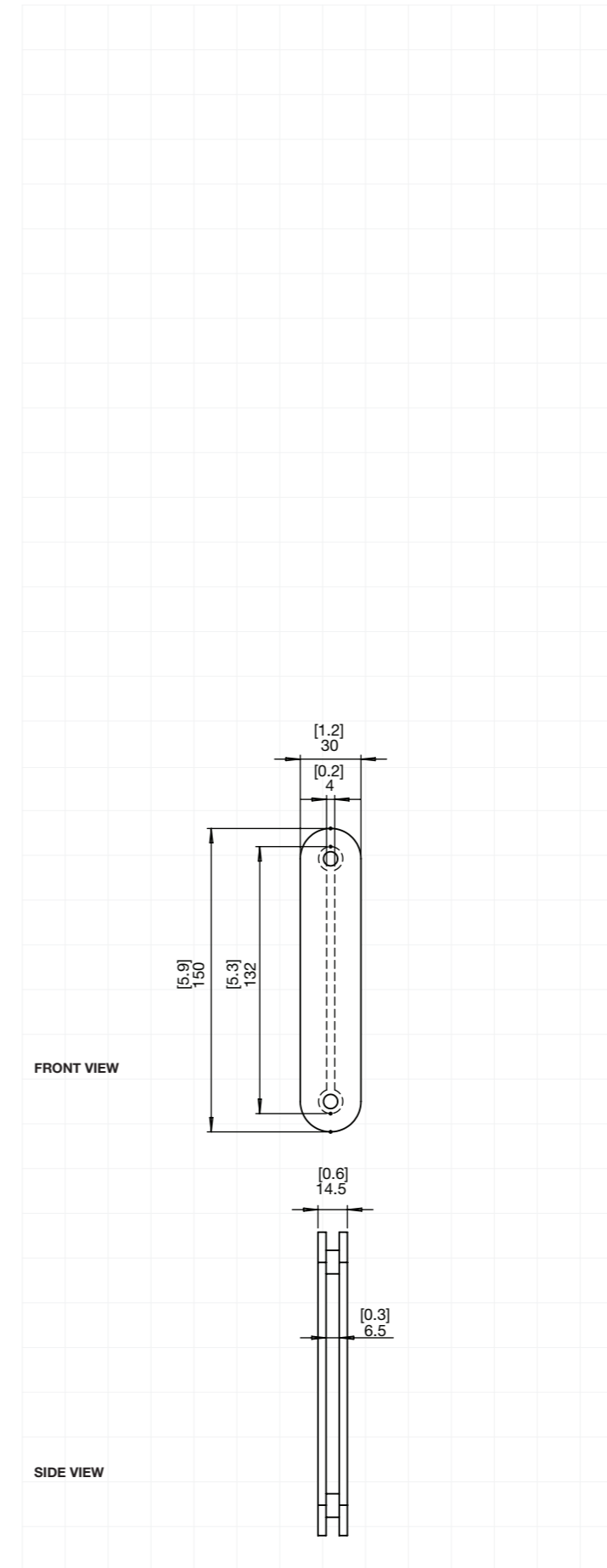
ECHO FIXINGS



Application	Indoor & Outdoor
Materials	Polycarbonate
Weight	0.4kg [0.8lbs]
SKU	ESF.1.A.ECH

These clips offer a method of attaching a fire screen to compatible models that is different in dimension to our standard screen.

NOTE: Glass panel is not included. Contact your distributor for glass dimensions and drawings.



ABOUT

e-NRG BIOETHANOL FUEL



Achieving a beautiful, vibrant flame in your bioethanol fireplace is easy when you use the right fuel.



Lowest Odour

We use only the highest quality ingredients for the cleanest experience.



Best Flame

e-NRG is specifically formulated to produce a vibrant orange flame.



Safety First

e-NRG bottles are fitted with a flame arrester and supported by an operational procedure to ensure it's used in the safest way.

Our bottles are fitted with a flame arrester for safe re-filling.



Fast Refilling

e-NRG bottles pour 8x faster than the competition.

Clean Burning

Lose the chimney and the flue and keep the heat in - no smoke, no soot, no ash.



Longest Burn Time

Tested against a multitude of formulas to ensure it burns for the longest time.

Order Online

Conveniently delivered to your door.



e-NRG

e-NRG is defining some of the most beautiful bioethanol fire installations across the globe.

www.e-nrg.com



ABOUT

FLUID CONCRETE TECHNOLOGY

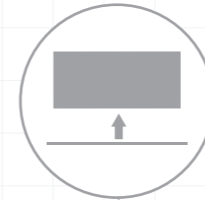


EcoSmart fire features are synonymous with quality, substance and enduring style and now those same qualities can be applied to our extensive concrete collection.



Stain Resistant

Rigorous testing confirms the surface is impervious to ethanol, wine, vinegar, oil, mustard, tomato ketchup, salt, soy, bleach, espresso coffee, window cleaner, and more. *Turmeric should be avoided.

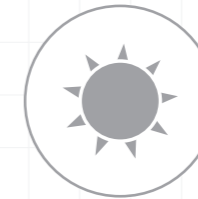
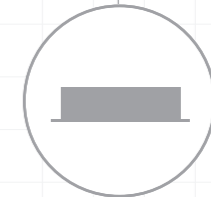


Lightweight

Sturdy yet lightweight composition means that relocation is achievable.

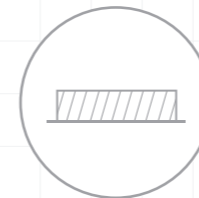
Custom Finish

Custom finishing process incorporating German technology delivers a smooth, natural satin surface.



UV Resistant

Even when our products were exposed for 144 hours in 12-hour cycles to water spray, UV rays, and water condensation, colours retained their depth and luster.



Durable Surface

An exceptionally strong adhesion creates a coating that does not flake, peel or crack, and can withstand extreme weather variations and long UV exposure.



Environmentally Friendly

Made from a combination of green cement and 95% recycled natural materials that absorb CO2 during the curing process, our composites are 100% recyclable and release minimal greenhouse gas emissions.



Fluid

With Fluid™ Concrete Technology you're assured of high-quality, robust products that are incredibly strong.

fluidconcrete.com

AROUND THE WORLD



EcoSmart Fire works with an extensive network of representatives around the world. If you can't find who you are looking for, or someone close to you, contact EcoSmart Fire Head Office and we will personally assist you with your enquiry.

Head Office
Showrooms 3 & 4, 40-42 O'Riordan Street
Alexandria NSW 2015 Australia
T: +61 2 9997 3050 E: info@ecosmartfire.com

ECOSMART FIRE IS DESIGNED AND MANUFACTURED BY THE FIRE COMPANY.

Visit [ecosmartfire.com](https://www.ecosmartfire.com)

Interested in representing or retailing EcoSmart Fire in your country?
Contact your local distributor or our Head Office today.

Reproduction of this catalogue in any manner, in any language, in whole or in part without prior written permission is prohibited. The Fire Company Pty Ltd reserves the right to correct any errors or misprints. All product specifications and data are subject to change without notice and believed to be correct at the time of publication. The Fire Company Pty Ltd, its affiliates, agents, and employees, and all persons acting on its or their behalf (collectively, "The Fire Company"), disclaim any and all liability for any errors, inaccuracies or incompleteness contained herein or in any other disclosure relating to any product. The Fire Company disclaims any and all liability arising out of the use or application of any product described herein or of any information provided herein to the maximum extent permitted by law. The product specifications do not expand or otherwise modify The Fire Company P/L's terms and conditions of purchase, including but not limited to the warranty expressed therein, which apply to these products. No license, express or implied, by estoppel or otherwise, to any intellectual property rights is granted by this document or by any conduct of The Fire Company. Customers using or selling The Fire Company products not expressly indicated for use in such applications do so entirely at their own risk and agree to fully indemnify The Fire Company for any damages arising or resulting from such use or sale. Please contact authorised personnel from The Fire Company to obtain written terms and conditions regarding products designed for such applications. International Patent Pending - Trademarks Pending - All Designs Registered. V0917

ECO
SMART
FIRE
.COM

ecosmar⁺
Fire