



# **Virtuo 180 Evolve**

# **Virtuo 180/2 Evolve**

# **Virtuo 180/3 Evolve**

## **Installation manual**

Store this document in a safe place



This product is not suitable for use as primary heating.



*i am*  
**virtuo**  
**evolve**

**The fire specialists since 1754**

What could be more inviting than a glowing cosy real flame? Whether you prefer a classic or a sleek design, at DRU you will find your ideal gas fire. Thanks to our knowledge and expertise - we can rely on 270 years' experience when it comes to providing comfortable, sustainable, safe heat and atmosphere in your home - we will always offer the best solution for you. Our innovative craftsmanship is evident and can be found in each and every model in our series of modern gas fires, all of which satisfy extremely strict requirements in terms of sustainability, efficiency, emissions, safety and ease of use. After all, we keep improving, each and every year. If you want to heat your home in style, choose a DRU.

**Index**

<b>1. Introduction</b>	6
<b>2. EU - Declaration of conformity</b>	7
<b>3. Step-by-step installation plan</b>	8
<b>4. Technical data</b>	9
<b>5. Safety</b>	10
5.1 General	10
5.2 Regulations	10
5.3 Safety instructions	10
<b>6. Preparation</b>	11
<b>7. Installation</b>	12
7.1 Placing the appliance	12
7.2 Placing the chimney breast	13
7.3 Additional installation options	20
7.3.1 Platform combined with lower decorative strip	20
7.3.2 Platform adjacent to the glass	21
7.3.3 Side wall adjacent to the glass	22
7.3.4 Back wall adjacent to the glass	24
<b>8. The appliance</b>	26
8.1 Glass panes	26
8.1.1 Removing the front glass pane	26
8.1.2 Placing the glass pane	26
8.1.3 Cleaning the glass pane	26
8.2 Projection plate	28
8.2.1 Placing the projection plate	28
8.2.2 Removing the projection plate	28
8.2.3 Cleaning the projection plate	28
8.3 Metal triangle	30
8.3.1 Placing the metal triangle	30
8.4 Monitors	31
8.5 Main switch	32
8.6 Electric connection	32
8.7 Log set	34
<b>9. Final check</b>	44
<b>10. Maintenance</b>	44
10.1 Projection plate and monitor(s)	44
10.2 Heating element	44
10.3 Parts	45
<b>11. End of life / Recycling</b>	45
<b>12. Malfunctions</b>	46

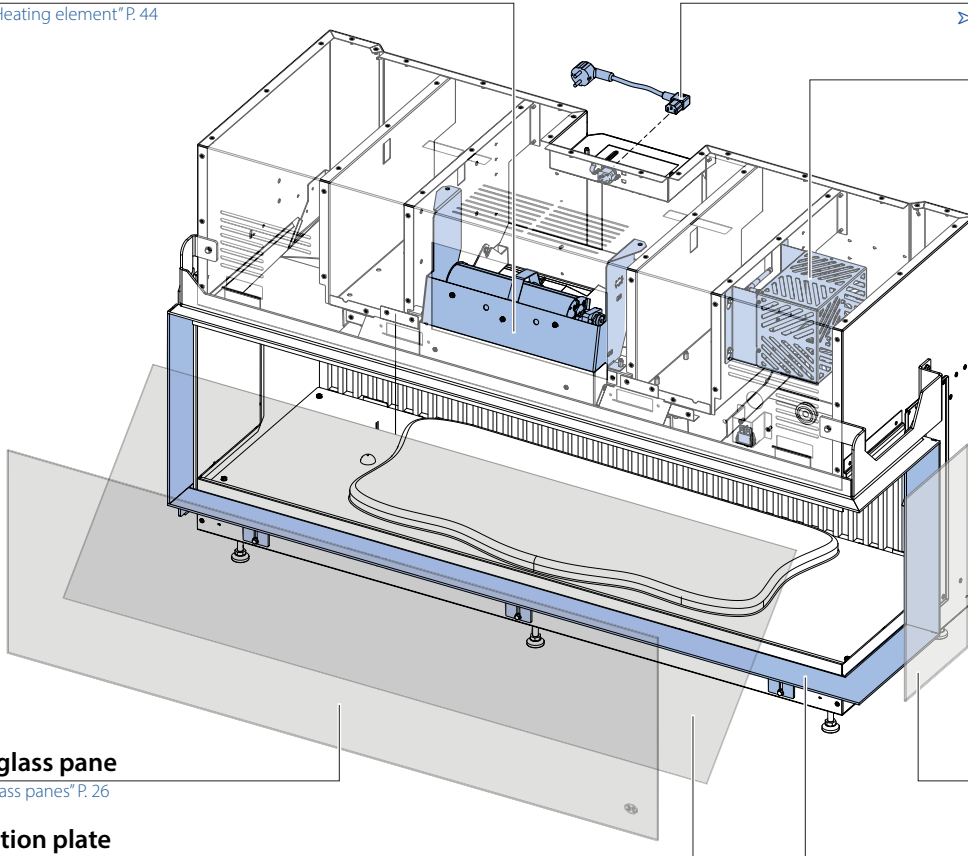
## Heating element

➤ "10.2 Heating element" P. 44

## Electric connection

➤ "8.6 Electric connection" P. 32

## Electrical control unit



## Front glass pane

➤ "8.1 Glass panes" P. 26

## Projection plate

➤ "8.2 Projection plate" P. 28

## Side panes

➤ "8.1 Glass panes" P. 26

## Construction frame

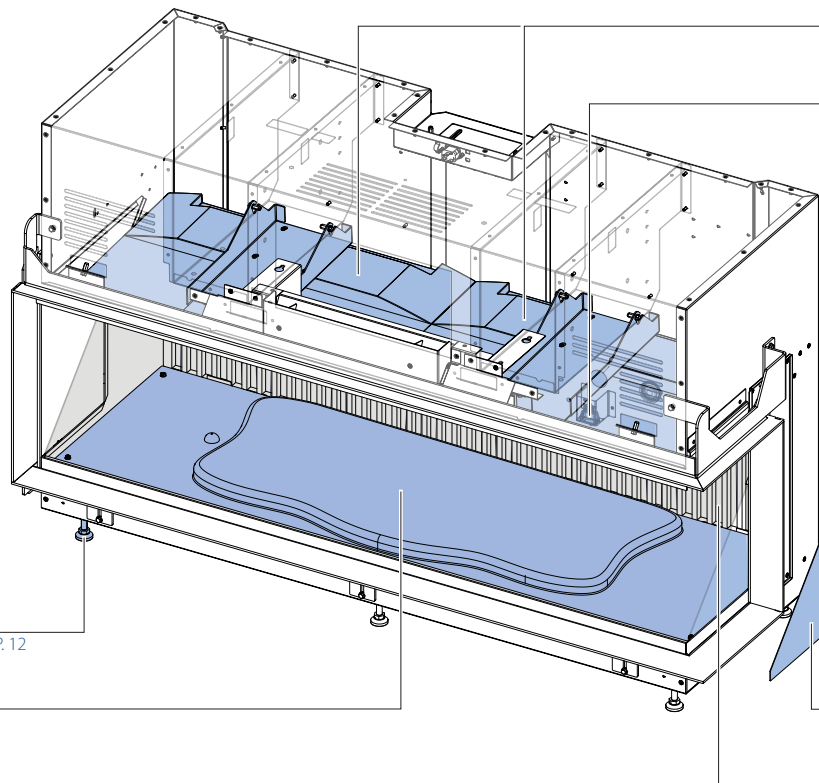
➤ "7. Installation" P. 12

## Monitor L/R

➤ "8.4 Monitors" P. 31

## Main switch

➤ "8.5 Main switch" P. 32



## Adjustable feet

➤ "7.1 Placing the appliance" P. 12

## Glow bed

➤ "8.7 Log set" P. 34

## Metal triangle

➤ "8.3 Metal triangle" P. 30

## Interior plate

➤ "7.3.4 Back wall adjacent to the glass" P. 24





## 1. Introduction


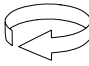

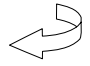
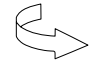
38D-0001

DRU, a manufacturer of gas-fired and electric stoves, develops and produces products that comply with the highest quality, performance and safety requirements. For that reason, this appliance has a CE label, which means that it complies with the essential requirements of the European directives. The appliance is supplied with a combined installation manual and user manual. Maintenance of the appliance should be performed by a professional certified specialist with proven knowhow and skills. A professional specialist takes into account all technical aspects, such as heating output and electrical requirements.


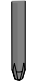

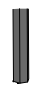

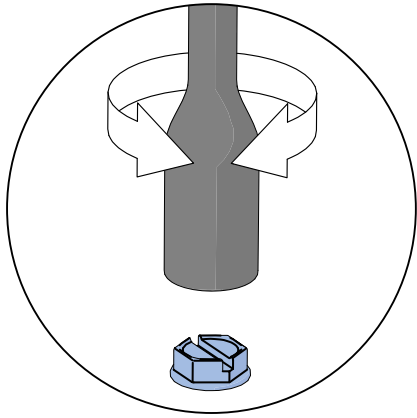





The information in this user and installation manual will ensure the appliance is installed in such a way that it will function properly and safely. This manual discusses the installation of the appliance and the regulations that apply to the installation. In addition, the appliance's technical data are shown and information is provided about maintenance, possible malfunctions that might occur and their possible causes. Fully and carefully read and use this installation manual before installing the appliance. National/local legislation should be observed at all times.

The following symbols are used in this manual to indicate important information:


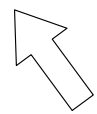
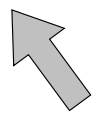


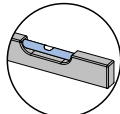
-  Work to be performed.
-  Suggestions and recommendations.
-  You will need these instructions to prevent problems that might occur during installation and/or use.
-  You need these instructions to prevent fire, personal injury or other serious damages.

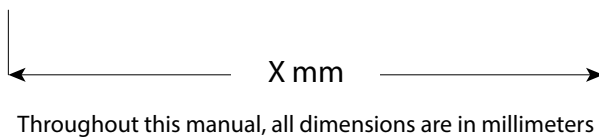
				
Loosen, adjust and retighten	Tighten completely	Unscrew	Tighten halfway	Loosen halfway

 Socket head screwdriver  Phillips head screwdriver  Flathead screwdriver  Hex wrench  Open-end wrench		 Sheet metal screw  Phillips head screw  Flat head screw  Hex socket cap screw  Hex nut
---	--	--

					
Highlighted components	Movement direction	View direction	Not allowed	Recycle items	Spirit Level



- < Smaller than
- > Greater than
- ≥ Equal or greater than
- ≤ Equal or smaller than

38C-3076EN

## 2. EU - Declaration of conformity

This declaration of conformity is issued under the full responsibility of the manufacturer, hereinafter referred to as DRU. DRU declares that company internal measures guarantee that appliances produced by DRU meet the essential requirements and guidelines of the regulation concerning electric stoves and the accompanying standards. This declaration loses its validity if changes are made to the appliance without written permission from DRU. The instructions in the manuals must also be observed at all times. A copy of the EU test certificate can be downloaded via [druservice.com](http://druservice.com)

Product:	Electric built-in decorative fire
Type:	Virtuo 180 Evolve Virtuo 180/2 Evolve Virtuo 180/3 Evolve
Conformity assessment body:	DEKRA Certification B.V. (0344) Meander 105 6825 MJ, Arnhem
Regulations:	(EU) 2024/1103
Directives:	2009/125/EG 2014/35/EU 2014/30/EU 2014/53/EU
Applied harmonized standards:	EN 18031-1 EN 18031-2 EN IEC 62311:2020 ETSI EN 300 328 V2.2.2 ETSI EN 301 893 v2.1.1 (2017-05) ETSI EN 301 489-17 V3.3.1 ETSI EN 301 489-1 V2.2.3 ETSI EN 303 446-1 V1.2.1 + EN IEC 55014-1:2021 + EN IEC 55014-2:2021 IEC 60335-1:2010 + A1:2013 + A2:2016 IEC 60335-2-30:2009 + A1:2016 + A2:2021 EN 60335-1:2012 + A11:2014 + A13:2017 + A14:2019 + A1:2019 + A2:2019 + A15:2021 + A16:2023 EN 60335-2-30:2010 + A11:2012 + A1:2020 + A12:2021 + A13:2022 + A2:2022 EN IEC 61000-3-2:2019 + A1:2021 + A2:2024 EN 61000-3-3:2013 + A1:2019 + A2:2021

DRU Verwarming B.V.  
Postbus 1021, NL-6920 BA Duiven  
Ratio 8, NL-6921 RW Duiven  
[www.drufire.com](http://www.drufire.com)

Signed for and on behalf of:



R.P. Zantinge, Managing director

Duiven, 01-07-2025

### 3. Step-by-step installation plan

The major points of attention of the installation are described in the check list below. Perform these steps and tick them once they have been performed correctly. After ticking all the steps, the appliance will be ready for use.

 Carefully read the manual before the appliance is installed

#### PREPARATION

- The packaging has been removed ([Section 6, Page 11](#))
- The correct appliance has been delivered, including all parts ([Section 4, Page 9](#))
- The appliance and parts are free from damage or irregularities ([Section 6, Page 11](#))

#### INSTALLING THE APPLIANCE

- The appliance is at the correct height and has been levelled with the adjustable feet ([Section 7.1, Page 12](#))
- There are no objects within the radiation range of the appliance ([Section 7.1, Page 12](#))
- The chimney breast meets the minimum dimensions ([Section 7.2, Page 13](#))
- The glass panes have been cleaned on the inside and outside ([Section 8.1.3, Page 26](#))
- The protective film has been removed from the projection plate ([Section 8.2, Page 28](#))
- The monitors and accompanying cables have been connected and positioned correctly ([Section 8.4, Page 31](#))
- A 230V 50Hz power socket has been placed according to regulation ([Section 8.6, Page 32](#))
- The plug of the appliance is within easy reach of the user after installation ([Section 7.2, Page 13](#))
- The log set and accessories have been placed correctly ([Section 8.7, Page 34](#))
- The flame picture has been checked and corresponds with the log set ([Section 8.7, Page 34](#))

#### INSTALLING AND OPERATING THE APPLIANCE

- The remote control has been prepared for use and works correctly ([Section 9, Page 44](#))
- The installation has been checked in relation to operation and safety ([Section 9, Page 44](#))
- The installation complies with the applicable national and local building regulations ([Section 5, Page 10](#))
- The user has been familiarised with the appliance ([Section 9, Page 44](#))

4. Technical data

Check the technical data based on the table below:

**Table 4-1: Information requirements for electric local space heaters**

DRU Verwarming B.V.

Ratio 8 | 6921 RW | Duiven, The Netherlands

PO Box 1021 | 6920 BA Duiven

+31 (0)26 - 319 5 319

www.drufire.com

Item	Virtuo 180 Evolve / Virtuo 180/2 Evolve / Virtuo 180/3 Evolve				
<b>Heat output</b>				<b>Type of heat output/ room temperature control</b>	
Nominal heat output	$P_{nom}$	2	kW	Single stage heat output and no room temperature control	No
Minimum heat output (Indicative)	$P_{min}$	1	kW	Two or more manual stages, no room temperature control	No
Maximum continuous heat output	$P_{max,c}$	2	kW	With mechanic thermostat room temperature control	No
<b>Power consumption</b>				With electronic room temperature control	No
in off mode	$P_0$	0	W	Electronic room temperature control plus day timer	No
In standby mode	$P_{sm}$	2.14	W	Electronic room temperature control plus week timer	Yes
In idle mode	$P_{idle}$	-	W		
In network standby	$P_{nsm}$	-	W	<b>Other control options</b> Room temperature control, with presence detection	No
Standby mode with display of information or status			Yes	Room temperature control, with open window detection	No
Seasonal space heating energy efficiency in active mode	$N_s$	48.4	%	Distance control option	Yes
				Adaptive start control	No
				Working time limitation	No
				Black bulb sensor	No
				Self-learning functionality	No
				Control accuracy	No

## 5. Safety

38D-0002

### 5.1 General

- ⚠ Observe the generally applicable regulations and precautions/safety instructions in this manual.
- First check that the technical execution of the appliance to be installed is correct (table 4-1).
  - Read this manual carefully to ensure the proper and safe installation of the appliance.
  - Observe the regulations/instructions in this manual.

### 5.2 Regulations

Install the appliance according to the applicable national, local and building (installation) regulations.

### 5.3 Safety instructions

Carefully observe the following precautions/safety instructions:

- ⚠
- Installation and maintenance of the appliance should only be performed by a recognised and skilled installer.
  - After installation, the socket to which the appliance is connected should be accessible at all times.
  - Take into account the minimum internal dimensions of the chimney breast when installing a built-in appliance (fig. 7-3 - 7-11)
  - This atmospheric appliance is not suitable for use as a primary heating source.
  - Do not cover the appliance and/or do not wrap it in an insulation blanket or any other material.
  - Do not use the appliance outdoors.
  - Only use the supplied materials and place them exactly as described.
  - Do not make any changes to the appliance yourself.
  - Keep combustible objects and/or materials outside the appliance's radiation range (see fig. 7-1 and 7-2).
  - The appliance was designed for atmospheric heating purposes. This means that all visible surfaces, including the glass pane, can become hotter than 100°C. People who have poor perception of the consequences of their actions should never be alone near a heating appliance, it is also recommended to place a temporary protective grille in front of the appliance. If it is possible that vulnerable people are regularly present in the room, a fixed guard should be mounted around the appliance. If it is possible that vulnerable people are regularly present in the room without supervision, a fixed guard should be mounted around the appliance.
  - Do not allow children or helpless people near the appliance without supervision. Also keep the remote control out of their reach.
  - Children of less than 3 years should be kept away unless continuously supervised.
  - Children aged from 3 years and less than 8 years shall only switch on/off the appliance provided that it has been placed or installed in its intended normal operating position and they have been given supervision or instruction concerning use of the appliance in a safe way and understand the hazards involved. Children aged from 3 years and less than 8 years shall not plug in, regulate nor clean the appliance or perform user maintenance.
  - Some parts of this product can become very hot and cause burns. Particular attention has to be given where children and vulnerable people are present.
  - Do not use this appliance in combination with external control equipment, such as timers, thermal controllers or programmed controllers, which automatically switch on the appliance.
  - Do not place the appliance in a damp room or near a bath, shower or swimming pool.
  - Check the complete installation prior to commissioning.
  - Do not use the appliance when a glass pane is broken and/or cracked, until it has been replaced.
  - In order to avoid overheating, do not cover the heater. Always keep the convection opening at the front of the appliance free so that warm air is able to circulate freely.
  - The appliance must not be located immediately below a socket-outlet.

**6. Preparation**

38D-0003

Note the following items when removing the packaging:

- Remove all packaging and protective materials.
- Take away all supplied parts in, on and/or attached to the appliance.
- Check the appliance and accessories for (transport) damage.
- Contact the supplier if necessary.
- Never install an appliance that is damaged!
- Remove the screws and brackets that secure the device to the pallet.
- Packaging must be disposed of by means of the applicable separation methods.

- ⚠ Keep plastic bags away from children.
- ⚠ Protect the monitors and other electric components against (building) dust and (building) damp!

Table 6-1 indicates which components should be available after removing the packaging.

- Contact the supplier if you find that not all components have been supplied.
- ⚠ Packaging must be disposed of in accordance with the regulations.

**Table 6-1: Parts included with the delivery**

	<b>Part</b>	<b>Amount</b>
<b>Documentation</b>	User manual	1
	Installation manual	1
<b>Wood logs set</b>	Wood logs	11
	Chips, black	2
	Chips, grey	2
<b>Glowing ember set</b>	Coals, black	6
	Coals, grey	3
	Glowing embers	10
	Wood chips set	2
<b>Accessories</b>	Remote control	1
	Penlite batteries (AA)	2
	Reserve boutjes	2
	Boutjes t.b.v. monitor bevestiging	8
	Socket spanner	1
	Suction cup	2
<b>Components</b>	Monitor	2
	Metal triangle (Virtuo 150/3)	2

**7. Installation**

38D-0010

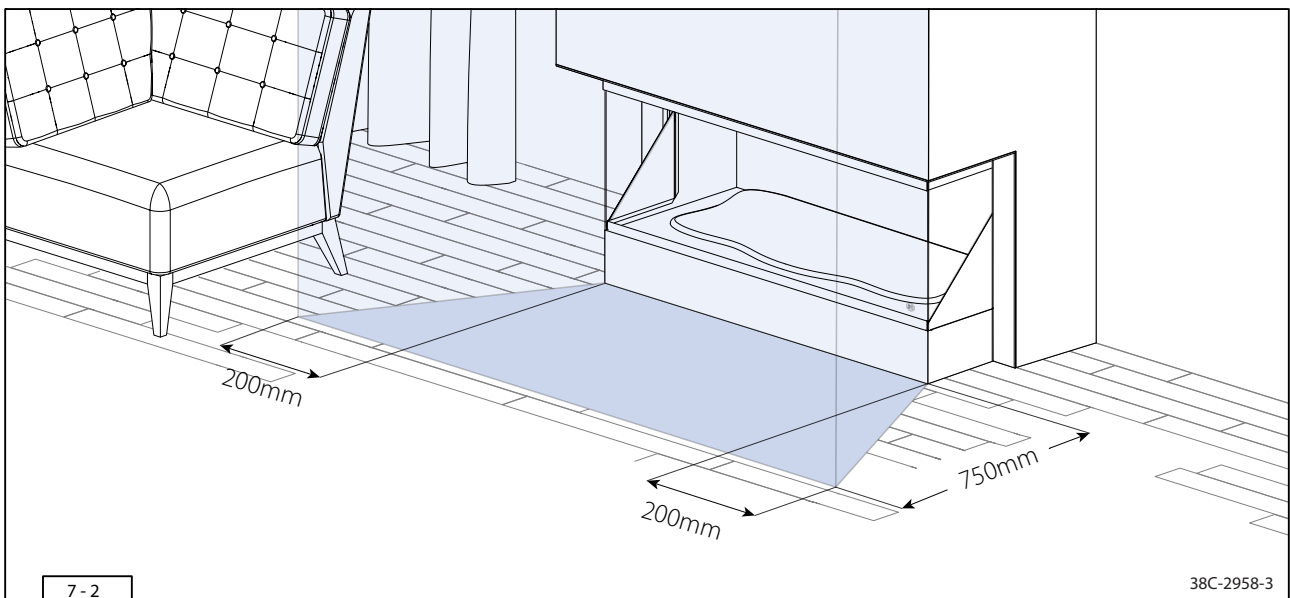
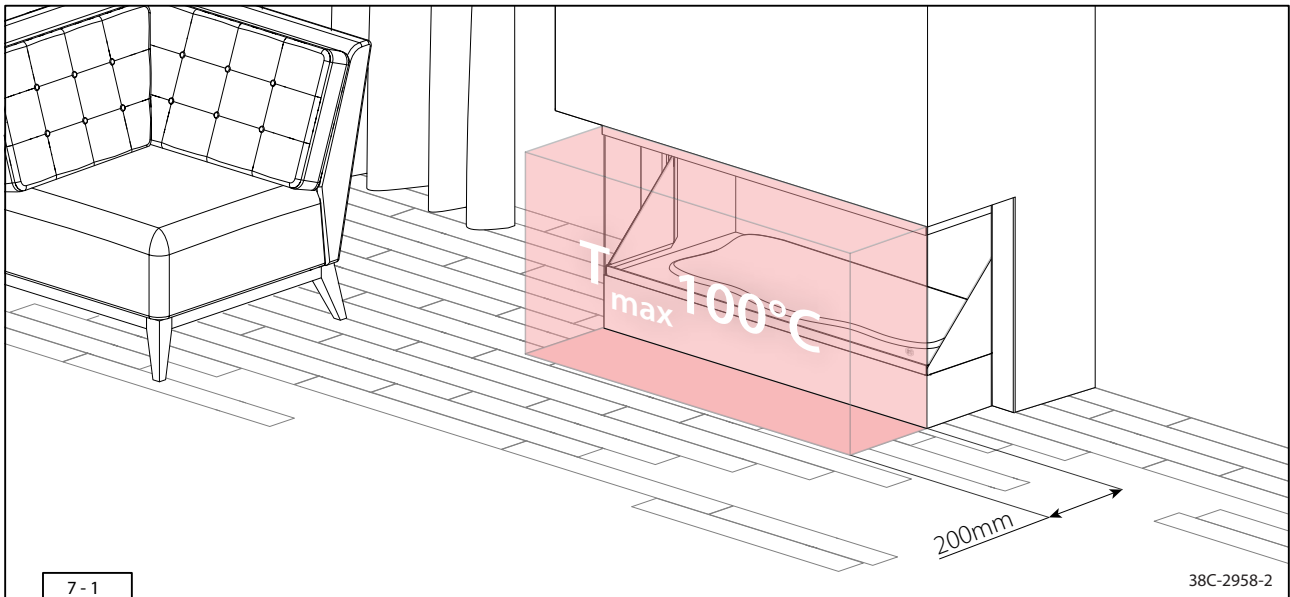
**7.1 Placing the appliance**

Separate sections describe different ways of placing the appliance. The general description below for placing the appliance applies to all these sections:

- ⚠ Place the appliance on the location where it will be installed and take the following into account:
  - The construction dimensions of the appliance (fig. 7-3, 7-6 and 7-9).
  - The minimum chimney breast dimensions (fig. 7-4, 7-7 and 7-10).
  - Electrical connection available in accordance with regulations (section 8.5)
  - There are no combustible objects or materials within the radiation range of the appliance (fig. 7-1 and 7-2).
  - Place the appliance in such a way that a fire hazardous situation can never occur.
  - A stable arrangement has been achieved for the appliance to be installed.

When placing the appliance, observe the following instructions:

- ⚠ The appliance should always be placed on the adjustable feet.
- Set the height of the appliance using the adjustable feet and level the appliance.



## 7.2 Placing the chimney breast

The appliance must be built in by means of a chimney breast. It is important to ensure that the appliance does not act as a supporting element and that the correct drying time of the used finishing materials are taken into account. Follow the instructions and warnings below:

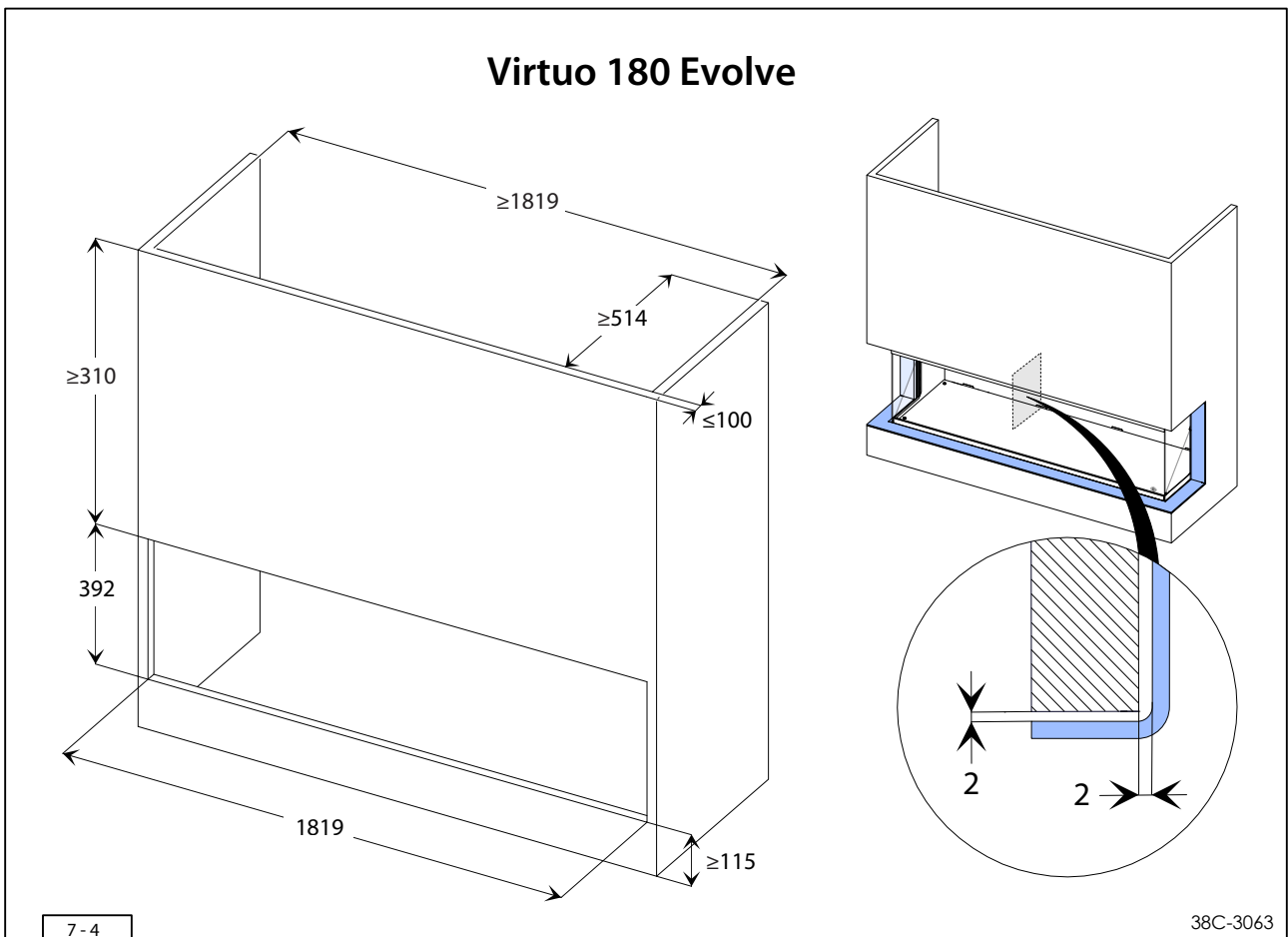
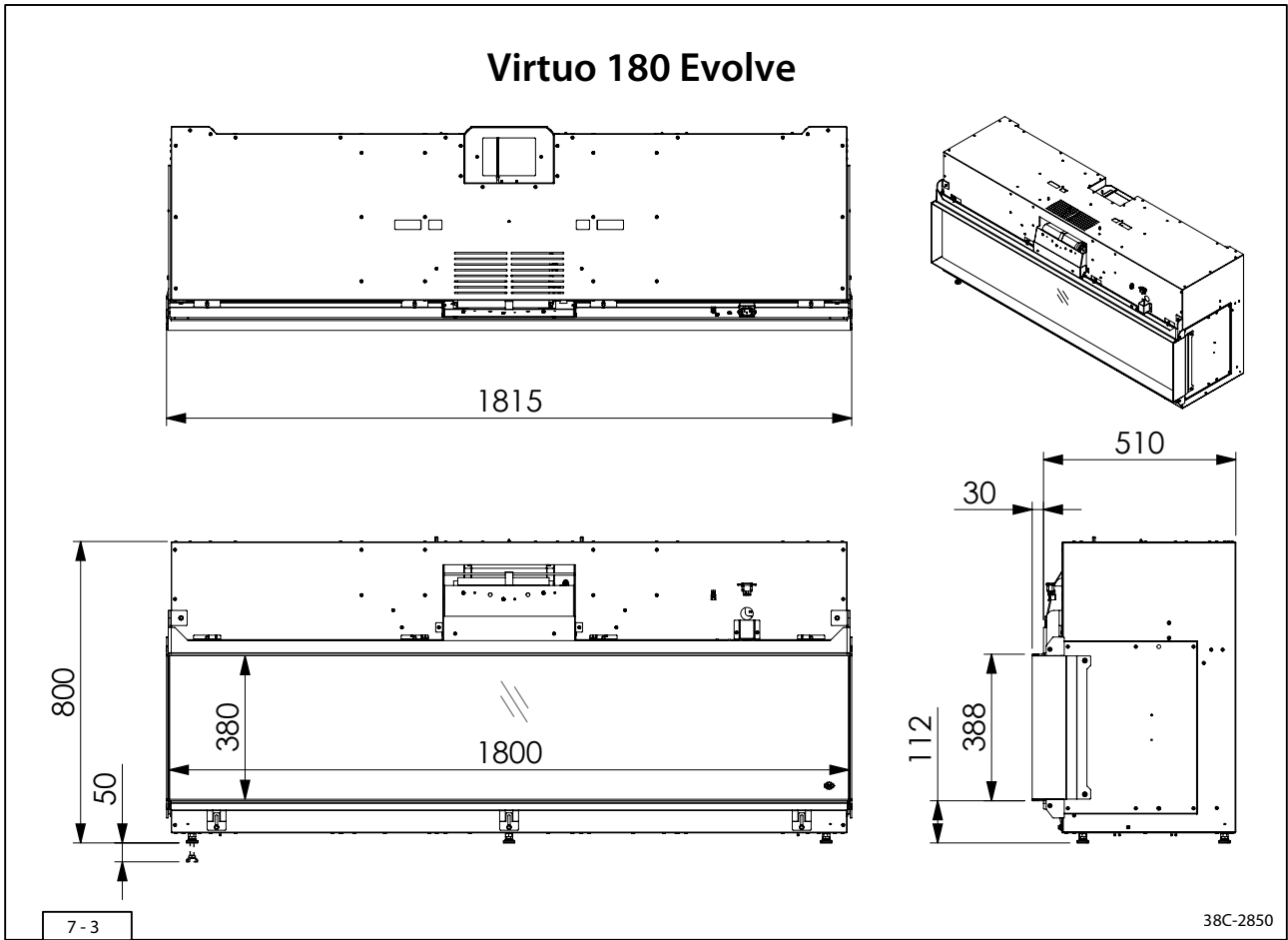
- The appliance must always be built in, by means of a chimney breast (see section 7).
- The appliance should never function as a bearing element in a structure. Prevent the appliance from being loaded with weight as all times.
- When using stone-like materials and/or plaster finishing, the chimney breast should dry for at least 6 weeks before using the heating element in the appliance in order to prevent cracks. The appliance can be used during this period, without using the heating function.

Take the following steps into account when placing the chimney breast:

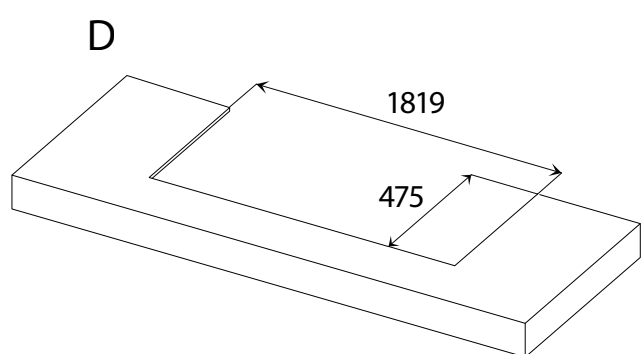
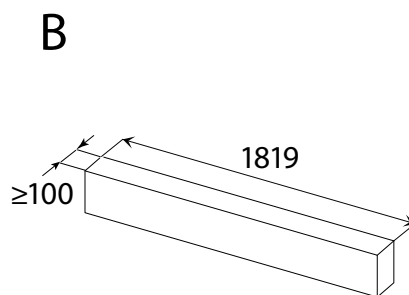
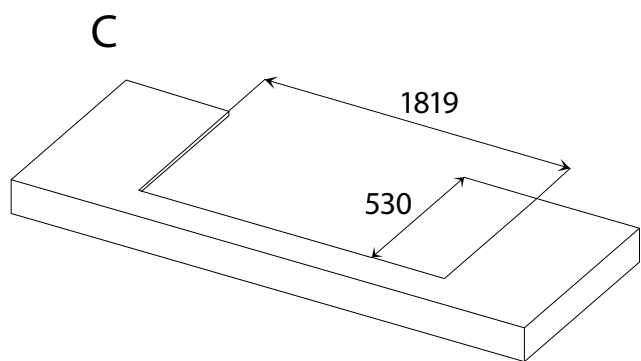
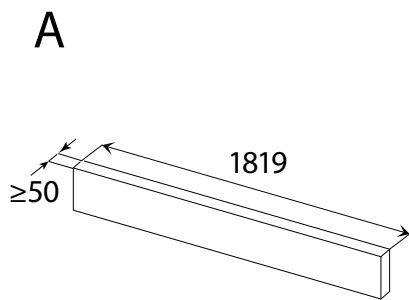
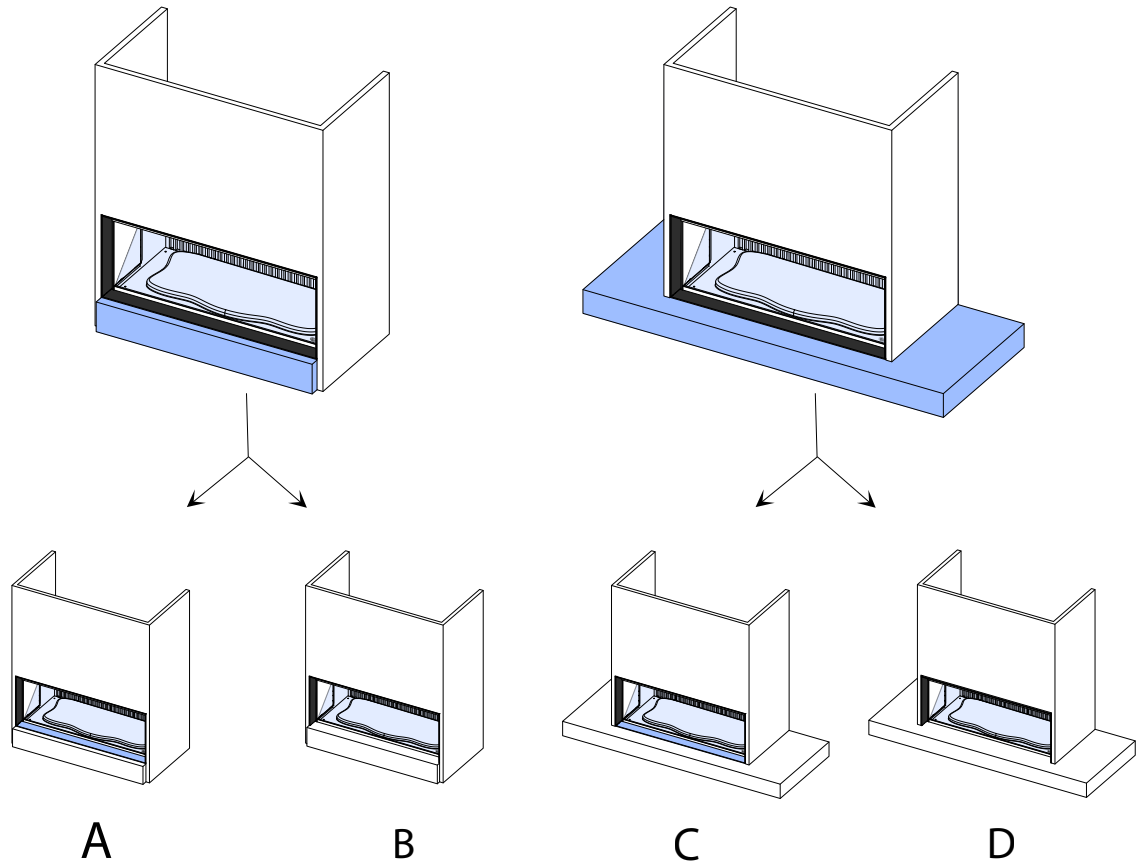
- The minimum internal dimensions of the chimney breast (fig. 7-4, 7-7, 7-10).
- The dimensions of the glass pane, so that it can be placed/removed after placing the chimney breast.
- The selected extra options for building in (see section 7.3)
- Place the decorative strips and frames only after the performance of any structural work.
- Placement of decorative strips, frames and such like; if possible, place them after the performance of any structural work. Use good quality painting tape and remove this tape after plastering or painting work.

Check the following items, before the chimney breast is fully closed:

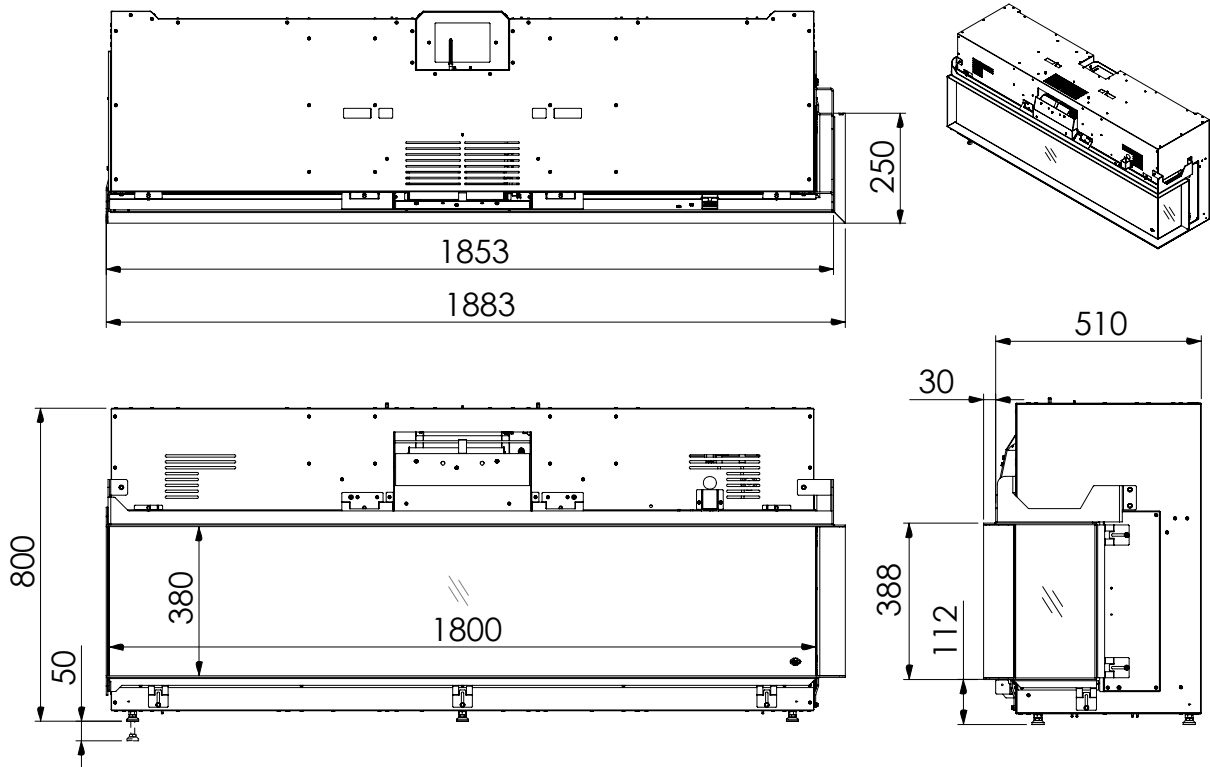
- No plastering work been performed on or across the edges of the construction frame.
- The plastering does not hinder the placement and removal of the glass pane.



Virtuo 180 Evolve



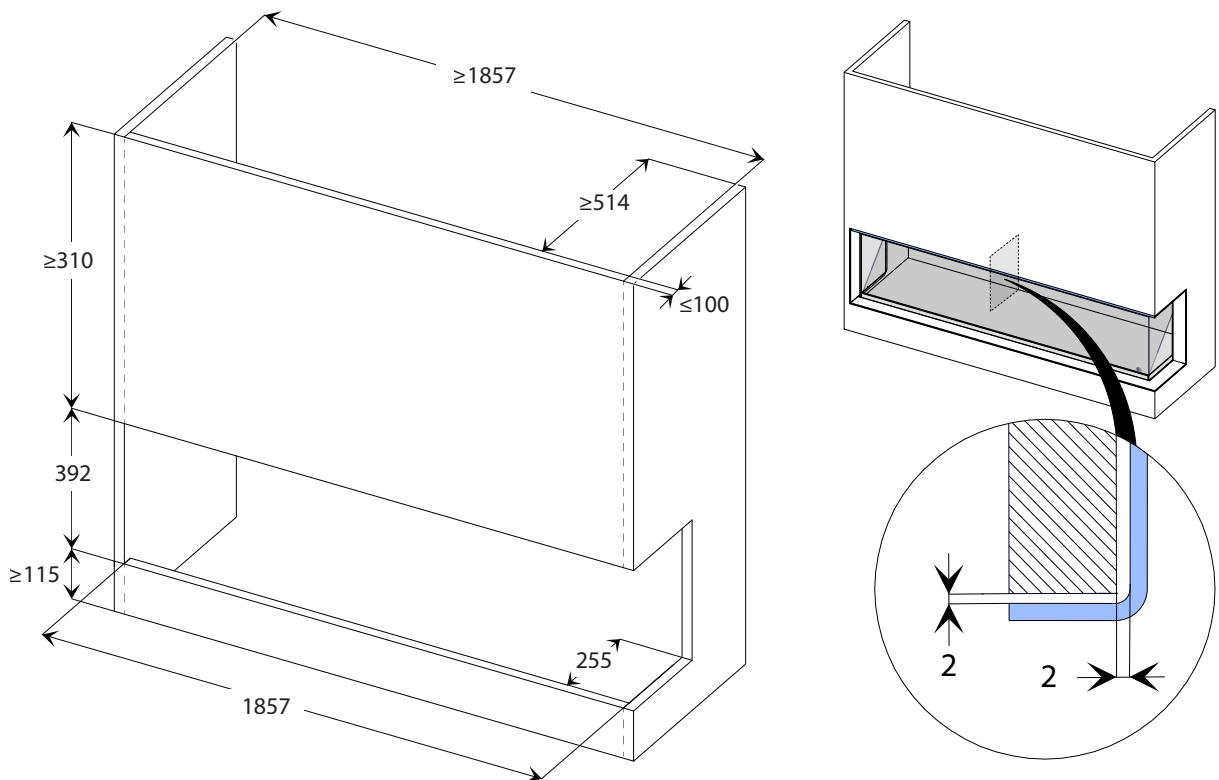
### Virtuo 180/2 Evolve



7-6

38C-3053

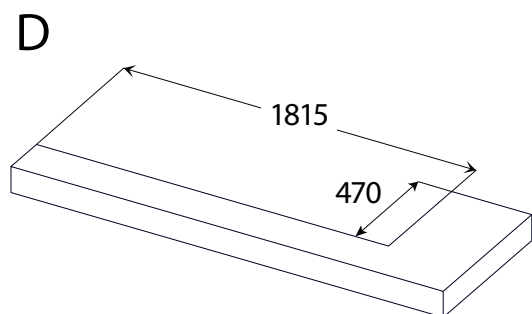
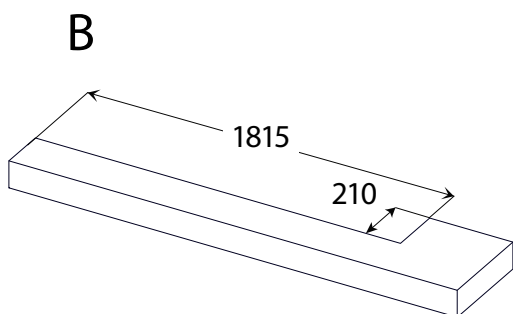
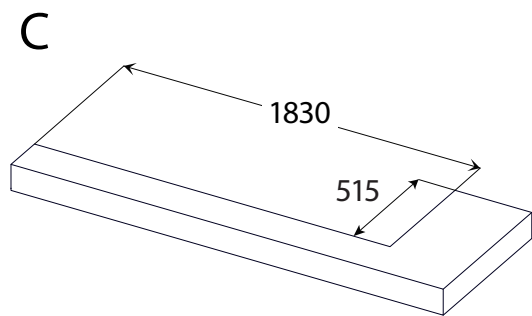
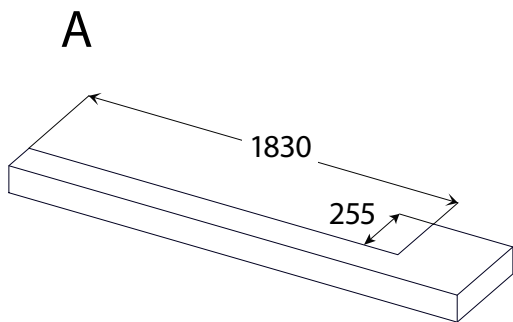
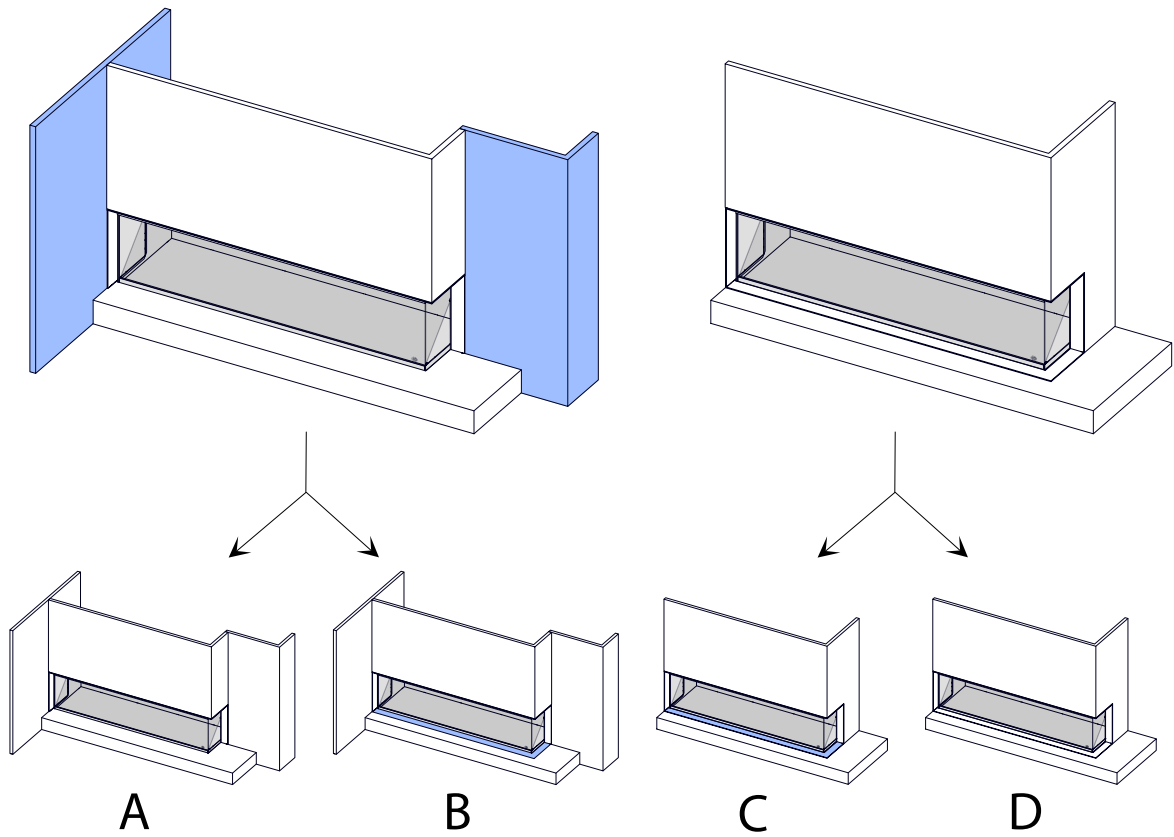
### Virtuo 180/2 Evolve



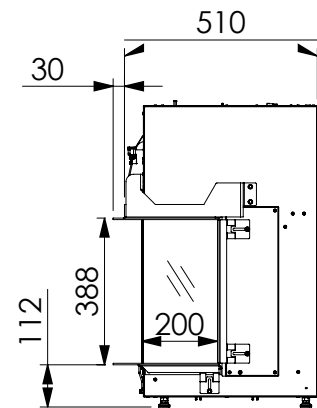
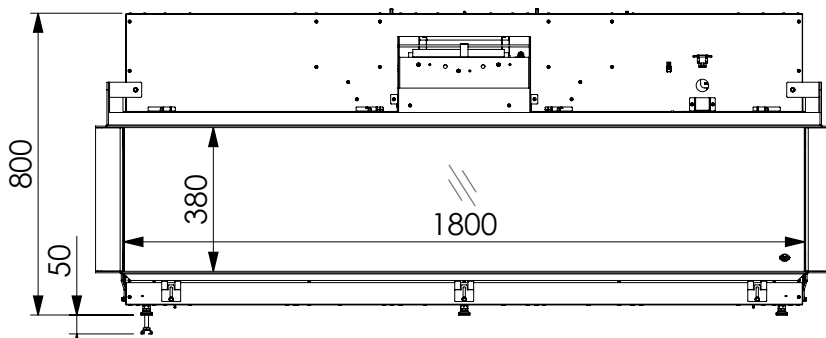
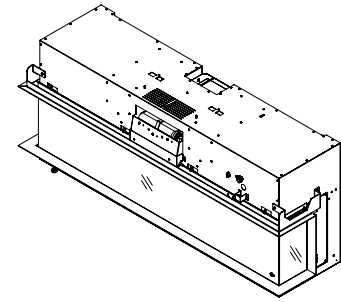
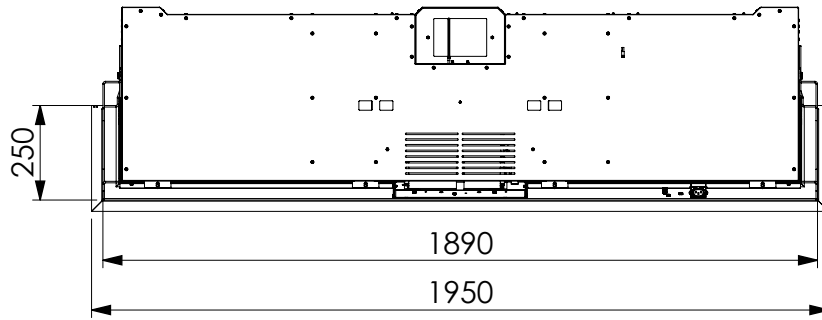
7-7

38C-3049

Virtuo 180/2 Evolve



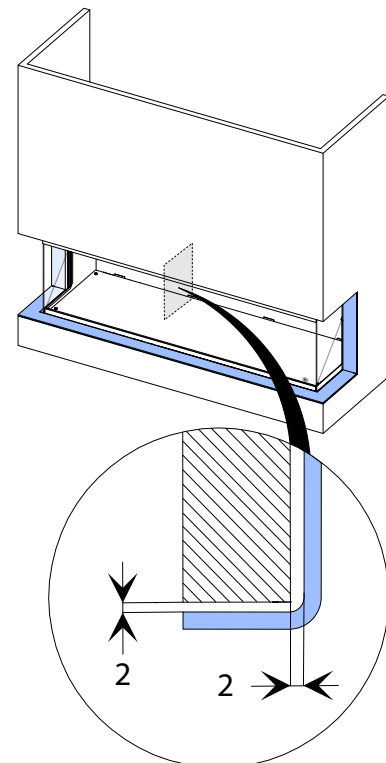
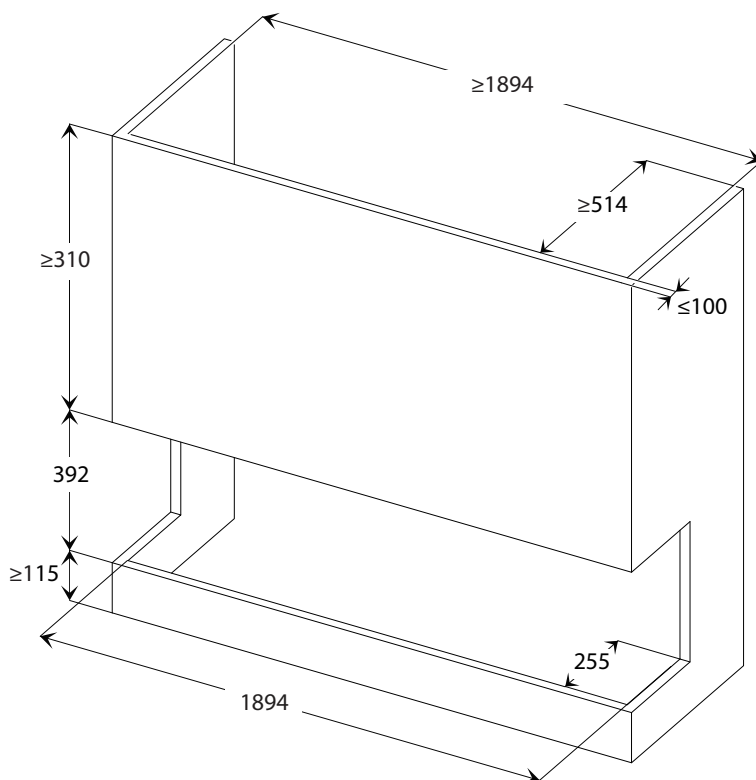
### Virtuo 180/3 Evolve



7-9

38C-2849

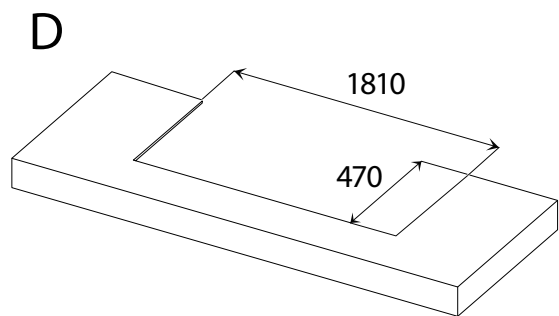
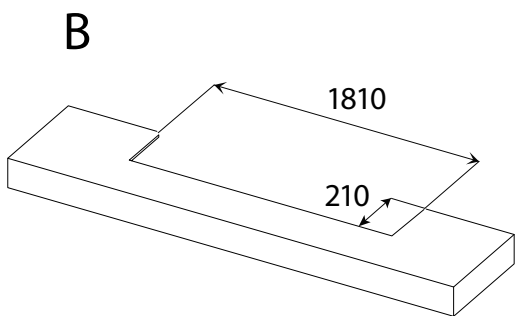
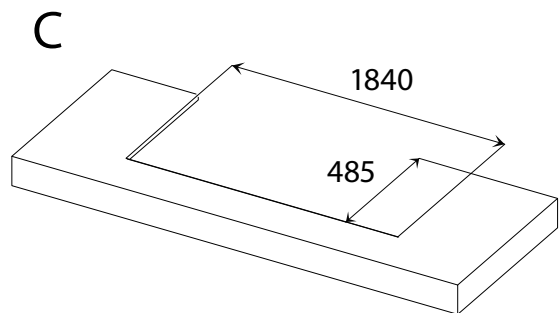
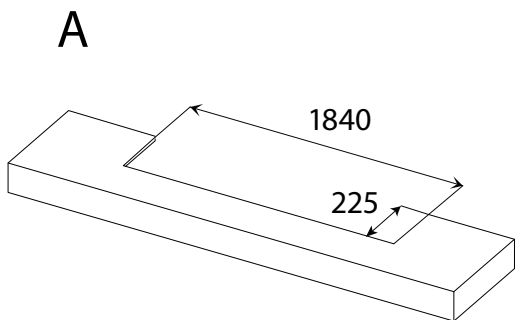
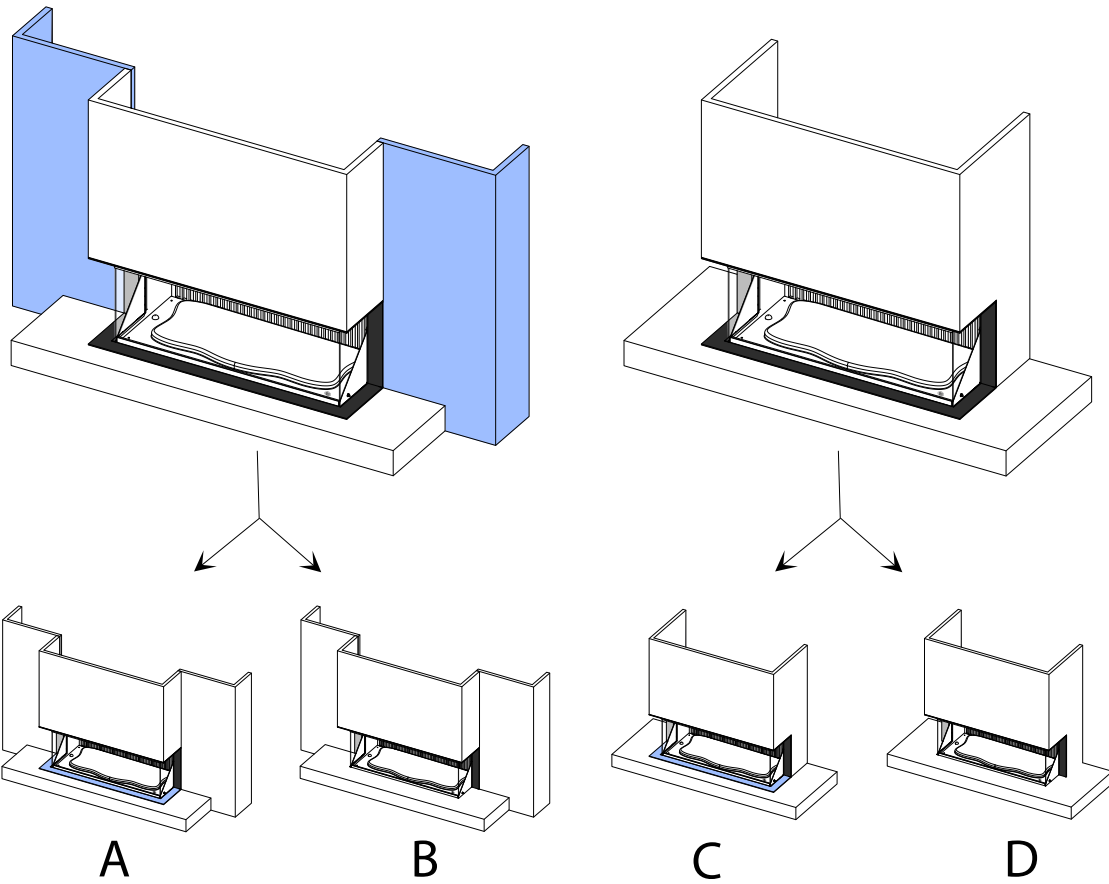
### Virtuo 180/3 Evolve



7-10

38C-3064

Virtuo 180/3 Evolve



### 7.3 Additional installation options

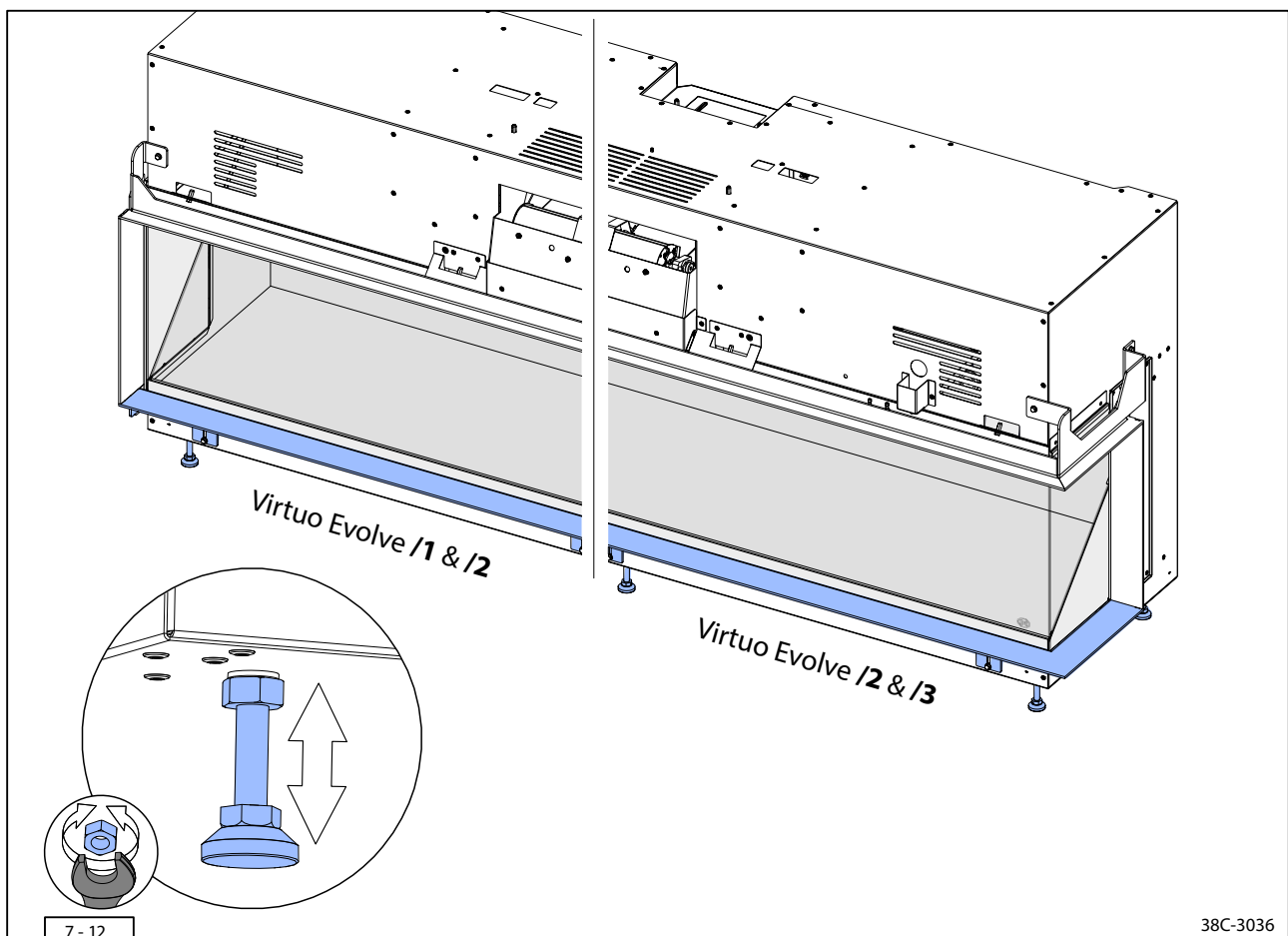
It is possible to finish the chimney breast in several ways. Use the instructions outlined in the following (sub)paragraphs in combination with their corresponding measurements.

- ⚠ (Structural) materials that are adjacent to the glass pane should be able to resist temperatures of at least 85°C.

#### 7.3.1 Platform combined with lower decorative strip

Observe the instructions below for building a platform with visible lower decorative strip:

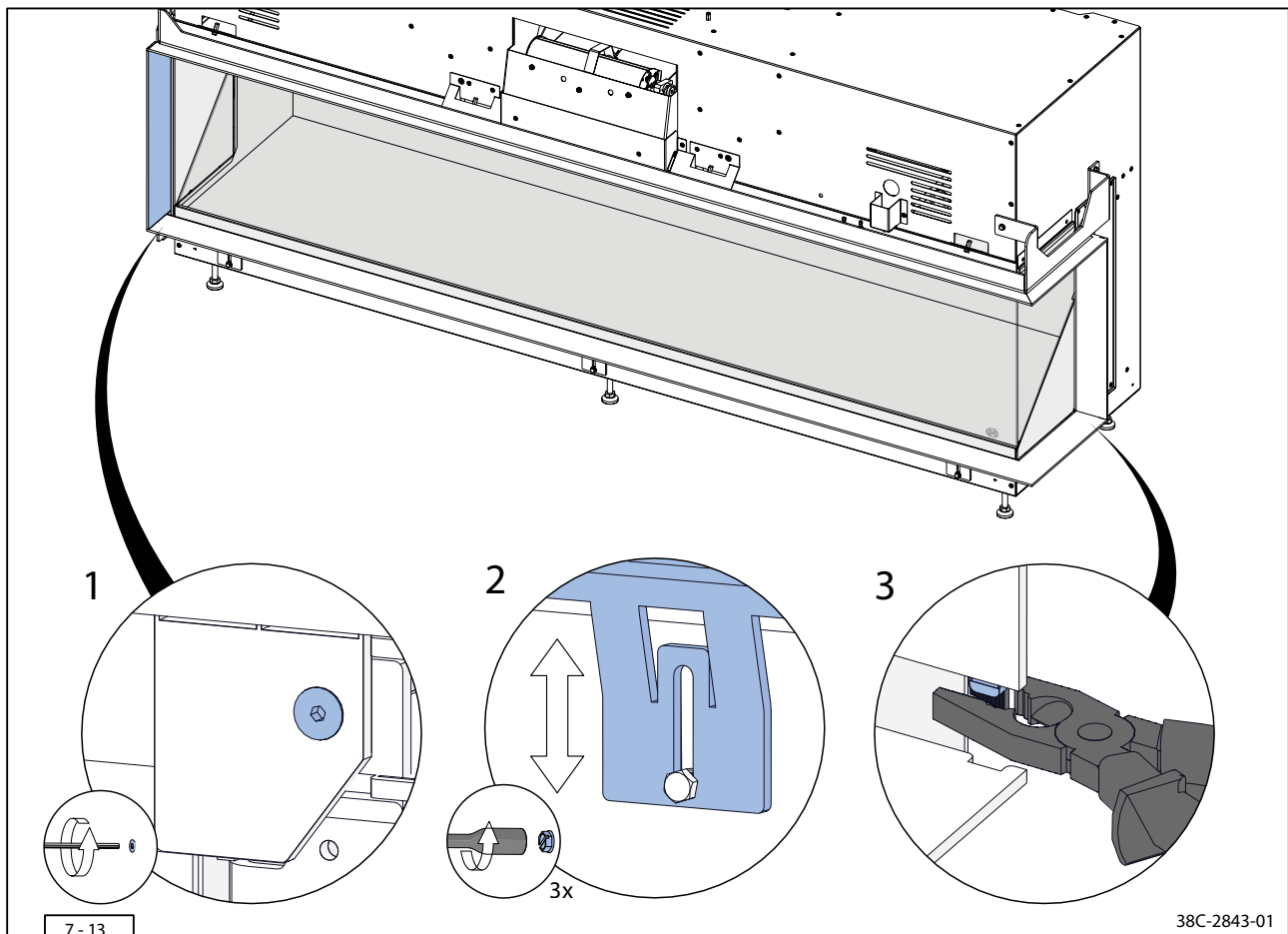
- Create a recess in the platform, in which the appliance will be placed:
  - Virtuo Evolve /1 (Afb. 7-5, A/C)
  - Virtuo Evolve /2 (Afb. 7-8, A/C)
  - Virtuo Evolve /3 (Afb. 7-11, A/C)
- Adjust the height of the appliance, so that the top side of the platform connects to the bottom side of the lower decorative strip. Use the adjustable feet under the appliance for this (fig. 7-12).



## 7.3.2 Platform adjacent to the glass

To connect the platform to the glass pane, the decorative strip should be lowered. Take the following into account:

- ⚠ - Do not allow the weight of the platform to rest on the appliance and/or lower decorative strip.
  - (Structural) materials that are adjacent to the glass pane should be able to resist temperatures of at least 85°C.
  - Ensure the lower decorative strip is level after adjustment (fig. 7-13, step 2).
  - The maximum material thickness of a platform is 30mm.
  - Ensure 5mm space between platform and glass pane strip.
- Create a recess in the platform, in which the appliance will be placed:  
 Virtuo Evolve /1 (Afb. 7-5, B/D)  
 Virtuo Evolve /2 (Afb. 7-8, B/D)  
 Virtuo Evolve /3 (Afb. 7-11, B/D)
  - Remove the Allen screws (only /1 and /2 models) on both sides of the lower decorative strip. (fig. 7-13 step 1)
  - Lower the lower decorative strip (see fig. 7-13 step 2) by loosening the screws by a few turns. Place the lower decorative strip at the required height and tighten the screws again.
  - Remove the centring ring at the bottom of the vertical decorative strip by breaking it off at the front (fig. 7-13 step 3)



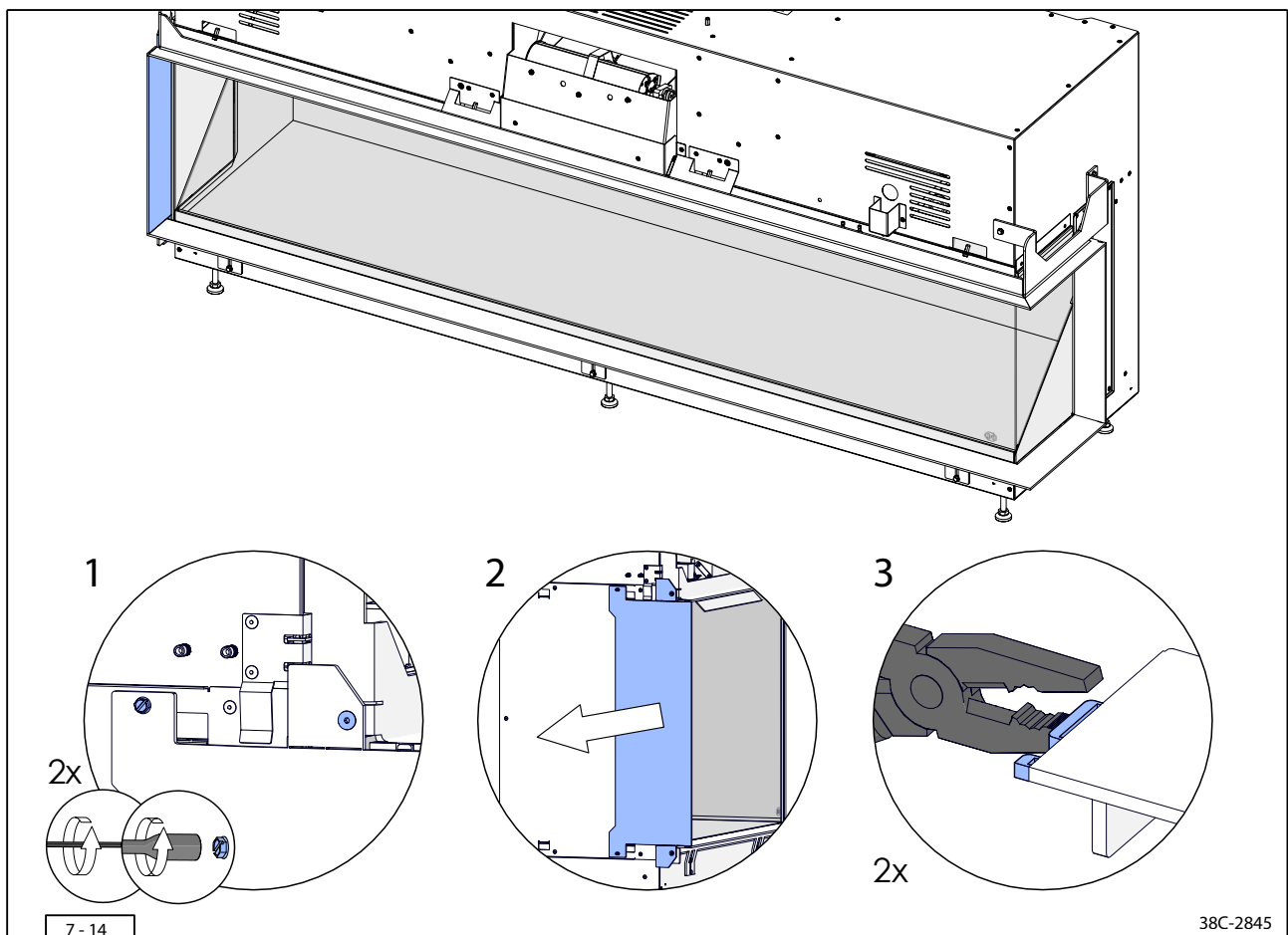
7 - 13

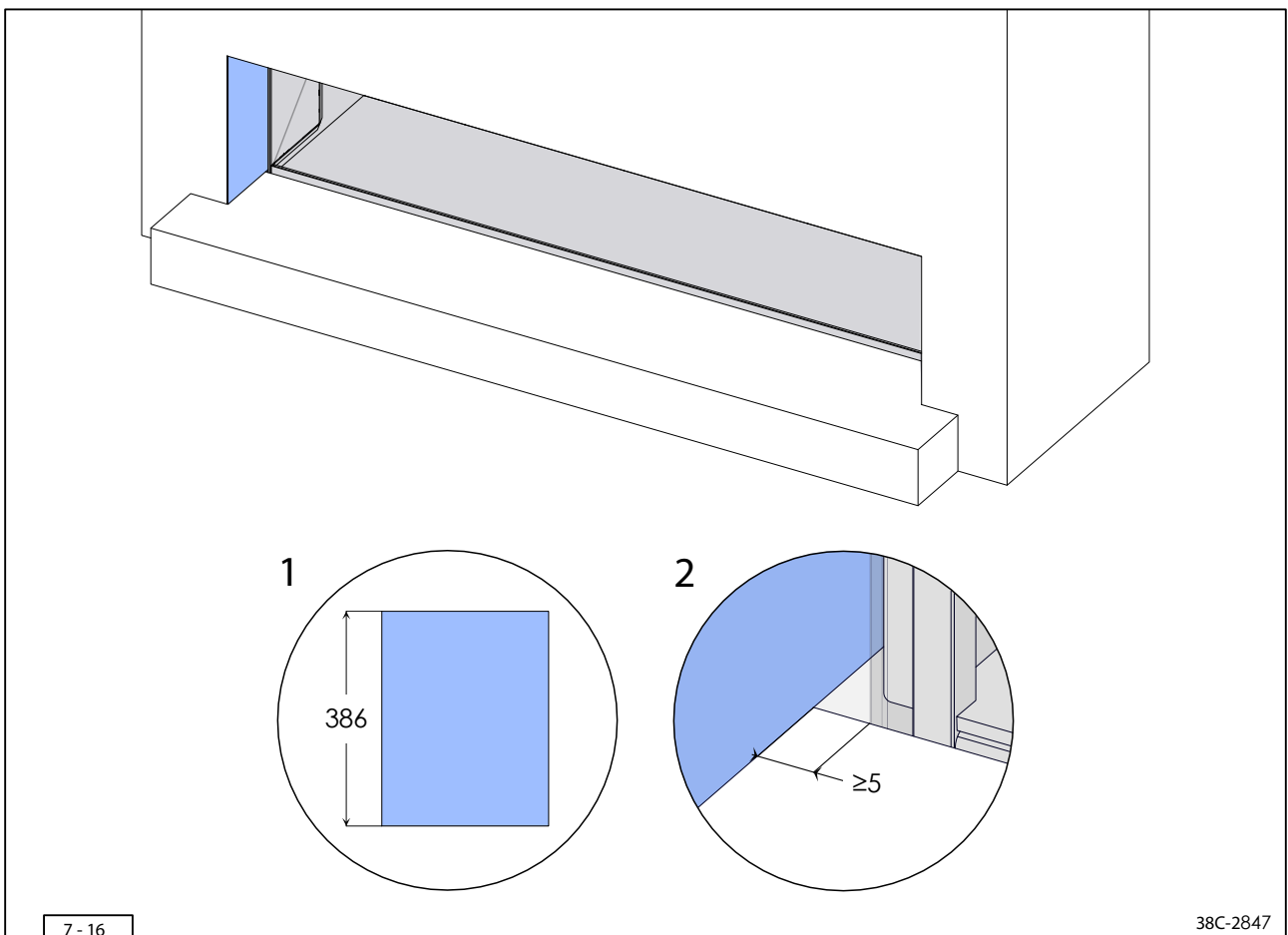
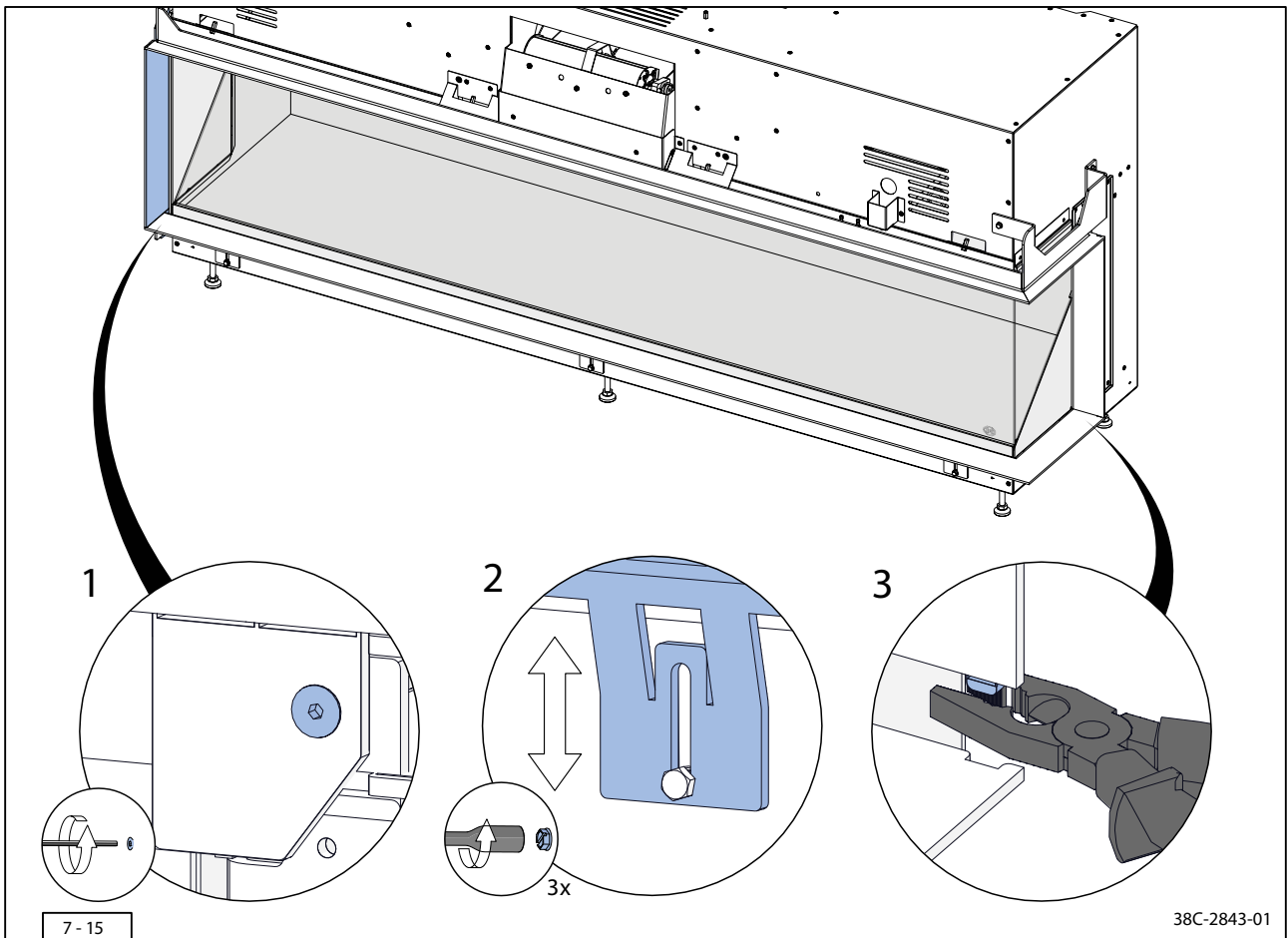
38C-2843-01

## 7.3.3 Side wall adjacent to the glass

In case of a /1 and /2 appliance, it is possible to have the side wall of the chimney breast adjacent to the glass pane (fig. 7-16). For this, proceed with the following instructions:

- ⚠ (Structural) materials that are adjacent to the glass pane should be able to resist temperatures of at least 85°C.
- Remove the vertical decorative strip on the left and/or right side by removing the 2 recessed-head screws and nuts (fig. 7-14, steps 1 & 2).
- Remove the centring cams from the lower and upper decorative strip by breaking them off (fig. 7-14 step 3).
- Remove the Allen screws on both sides of the lower decorative strip. (fig. 7-15 step 1)
- Lower the lower decorative strip (see fig. 7-15 step 2) by loosening the screws by a few turns. Place the lower decorative strip at the required height and tighten the screws again.
- Remove the centring ring at the bottom of the vertical decorative strip by breaking it off at the front (fig. 7-15 step 3)
- Make sure the side wall to be placed has the correct dimensions (fig. 7-16, step 1).
- Ensure a space of at least 5mm between the side wall and the glass pane (fig. 7-16, step 2).

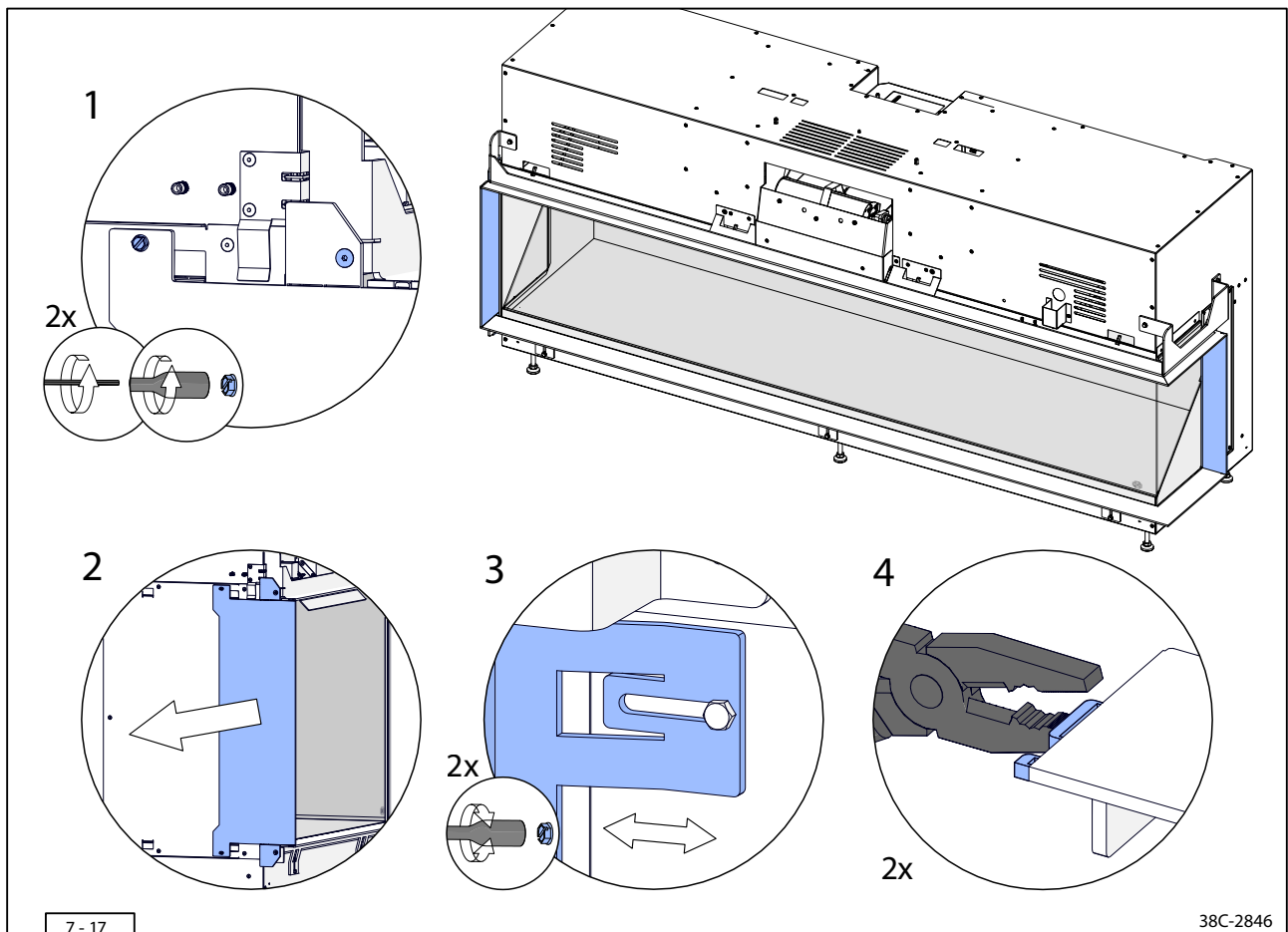


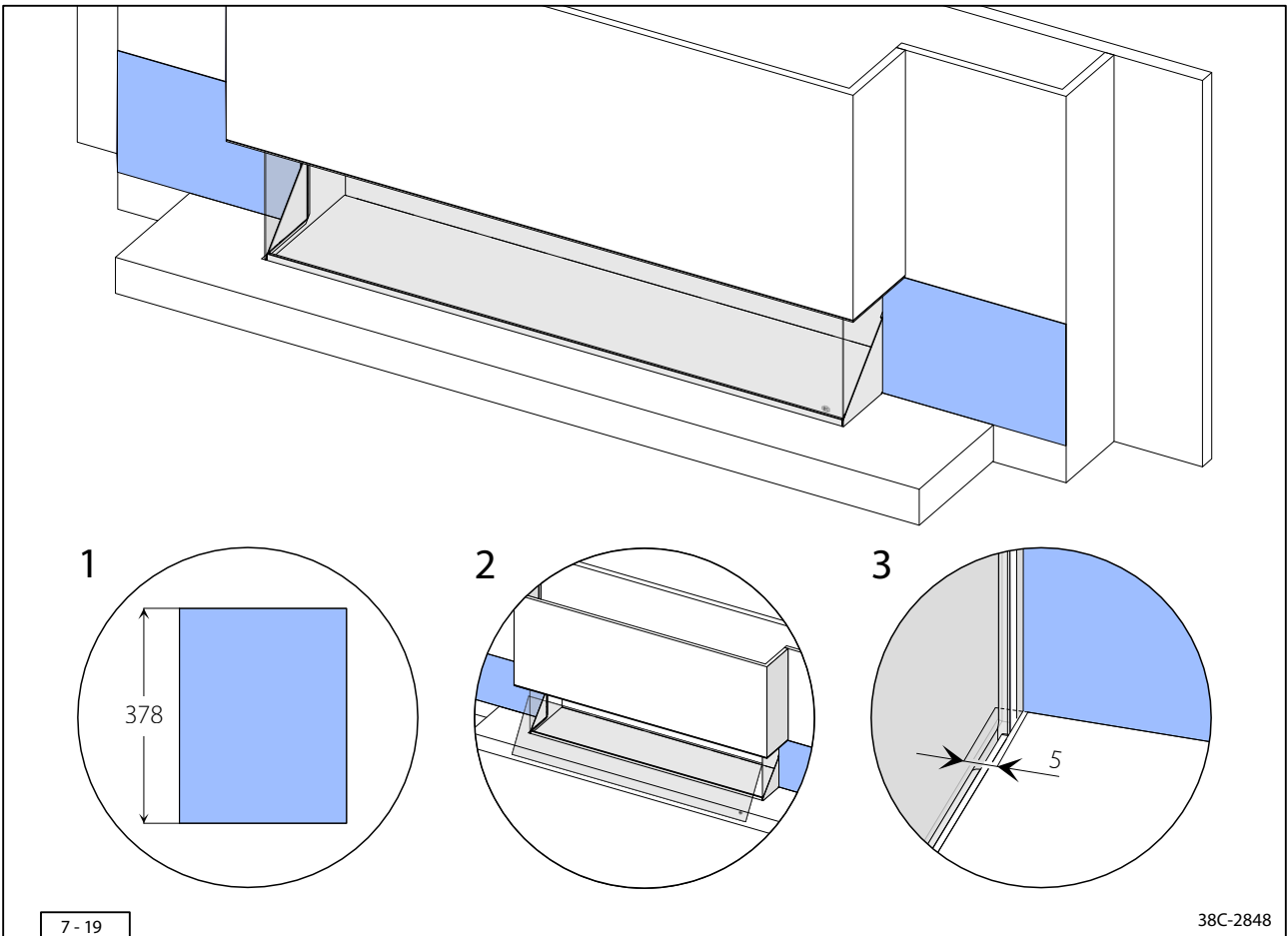
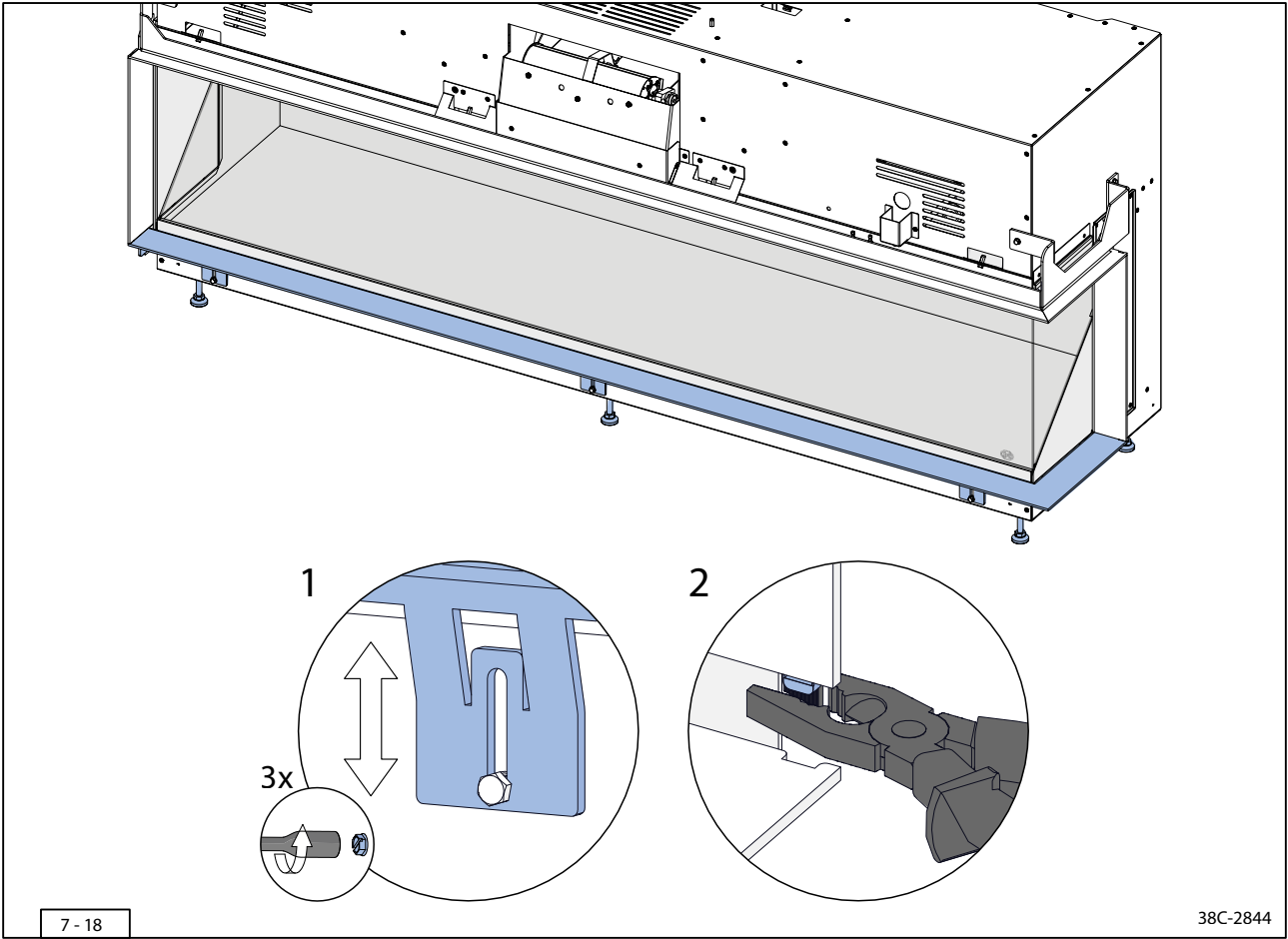


## 7.3.4 Back wall adjacent to the glass

In case of a /2 and /3 appliance, it is possible to have the back wall of the chimney breast adjacent to the glass pane (fig. 7-19). For this, proceed with the following instructions:

- ⚠ (Structural) materials that are adjacent to the glass pane should be able to resist temperatures of at least 85°C.
- 💡 In case of a chimney breast with false wall, it is possible to have the interior plate of the appliance continue on the wall (fig. 7-19).
- Remove the vertical decorative strip on the left and/or right side by removing the 2 recessed-head screws and nuts (fig. 7-17, steps 1 & 2).
- Adjust the vertical construction frame(s) to the required depth (fig. 7-17 step 3).
- Remove the centring cams by breaking them off (fig. 7-17 step 4).
- Adjust the horizontal construction frame to the required depth (fig. 7-18 step 1).
- Remove the centring cams by breaking them off (fig. 7-18 step 2).
- Make sure the back wall to be placed has the correct dimensions (fig. 7-19 step 1).
- Place the wall between the upper and lower decorative strip (Fig. 7-19 step 2).
- ⚠ Ensure a space of at least 5mm between wall and glass pane. (Fig. 7-19 step 3).






## 8. The appliance

38D-0004








### 8.1 Glass panes

The wood set and monitor(s) are supplied separately. These can be fitted after the glass panes and projection plate are removed. After placement of the wood set, projection plate and monitor(s) (see sections 8.2, 8.3 and 8.4), it is possible to place the glass panes:

-  Avoid damaging the glass panes during removal/placing.





#### 8.1.1 Removing the front glass pane

Observe the following instructions for removing the front glass pane (see fig. 8-1).

-  Prevent the glass pane from getting damaged.
-  Place the suction cup on the glass pane to remove it from the appliance;
-  Unscrew the bolts of the glass strip on the top side and remove them together with the glass strip;
-  Properly hold the glass pane on both sides or the suction cup;
-  Tilt the top of the glass pane towards you;
-  Carefully lift up the glass pane and tilt the bottom of the glass pane towards you;
-  Remove the glass pane.




#### 8.1.2 Placing the glass pane

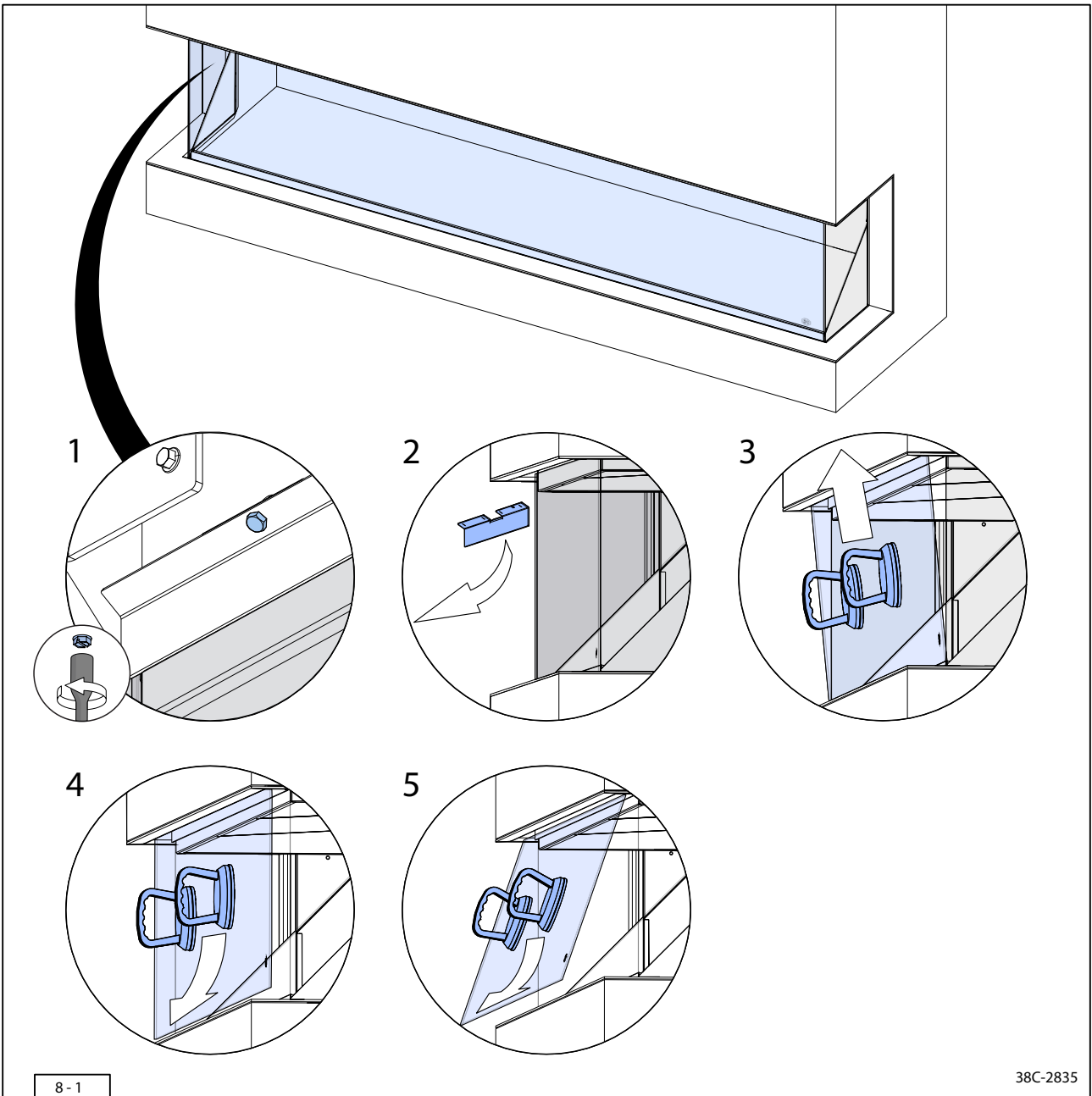
Placing the glass pane will take place in reverse order of removing the glass pane, as described above:

-  Make sure that the groove of the glass pane strip at the bottom side is free from dirt and chips before the glass pane is placed.
-  Place the glass pane with the logo at the bottom right.
-  Do not over-tighten the bolts, as they could break or the thread could be stripped.
-  Make sure the front glass pane fully connects to the side pane(s)

#### 8.1.3 Cleaning the glass pane

For an optimum experience of the appliance, it is recommended to clean the glass pane.

-  The glass pane(s) to be cleaned should be cooled down to room temperature.
-  Avoid damage to the glass pane(s).
  -  - Use a damp microfibre cloth. Other materials such as (kitchen) paper, steel wool, etc., could cause scratches.
  - It is recommended to use a good quality glass cleaner as a detergent for the glass panes.
  - Always wear cotton gloves during the cleaning process to prevent the introduction of new fingerprints.



## 8.2 Projection plate

After placement of the wood set (see section 8.6), it is possible to place the projection plate. Place the projection plate exactly as described for an optimum flame picture.

- ⚠ - Use the provided suction cup(s) to prevent leaving fingerprints and damaging the projection plate.
- Wear cotton gloves when placing, removing and cleaning the projection plate to prevent (new) fingerprints.

### 8.2.1 Placing the projection plate

- 💡 - When placing a plastic projection plate: At delivery, remove the blue protective film slowly, using little force. In this way, the accumulation of static charge in the projection plate is limited. As a result, it will attract less dust and the projection remains clear for longer.
- When placing a Clearview+ projection plate: Place the projection plate in the appliance with the coating at the bottom (see fig. 8-2, step 1).
- Place the suction cups on the projection plate (see fig. 8-2, step 1).
- ⚠ - Prior to placement, check that the suction cups are firmly attached to the projection plate.
- Place the projection plate slowly and carefully in the appliance to prevent damage.
- Lift the plate in the appliance, using the suction cups (fig. 8-2, step 2).
- Place the top side of the projection plate in the assembly bracket (fig. 8-2, step 3).
- Tilt the front of the projection plate downwards and place it in the frame (fig. 8-2, step 4).

### 8.2.2 Removing the projection plate

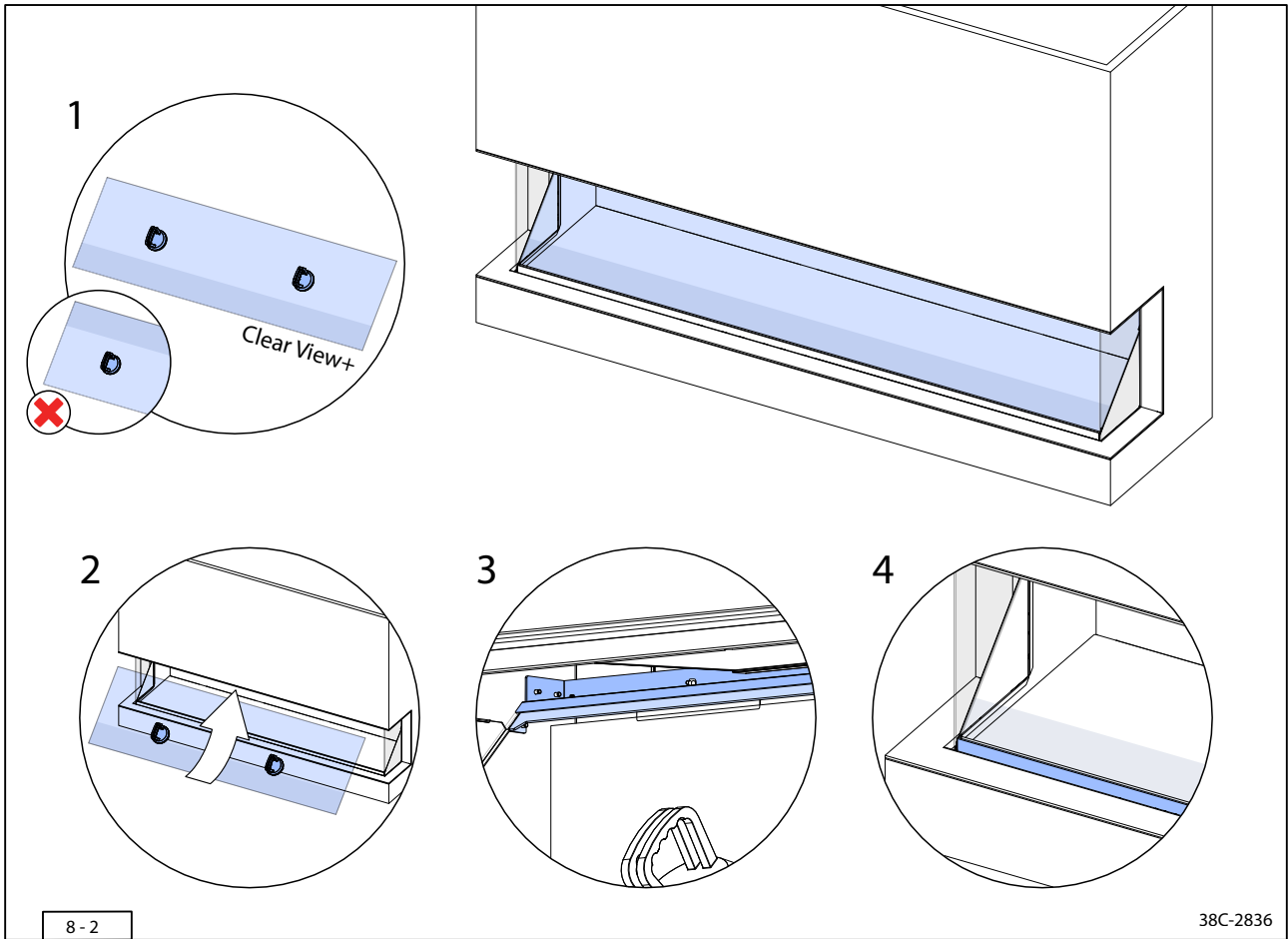
Remove the projection plate in reverse order of the placement procedure:

- Remove the glass pane from the appliance (see section 8.1).
- Place the suction cups on the projection plate (fig. 8-2, step 1).
- ⚠ Ensure minimum downward pressure on the projection plate when placing the suction cups.
- Lift up the projection plate using the suction cups at the front.
- Remove the projection plate.

### 8.2.3 Cleaning the projection plate

Contamination on the projection plate has a negative effect on the quality of the projection. Carefully observe the instructions and warnings below when cleaning the projection plate.

- ⚠ Using different cleaning agents and means could permanently damage the projection plate.
- 💡 Wear the supplied cotton gloves during the cleaning process in order to prevent the introduction of new contamination.
- Dust on the projection plate: a clean feather duster or oil-free compressed air.
- Contamination on the projection plate: DRU Spray 2 with a clean microfibre cloth.



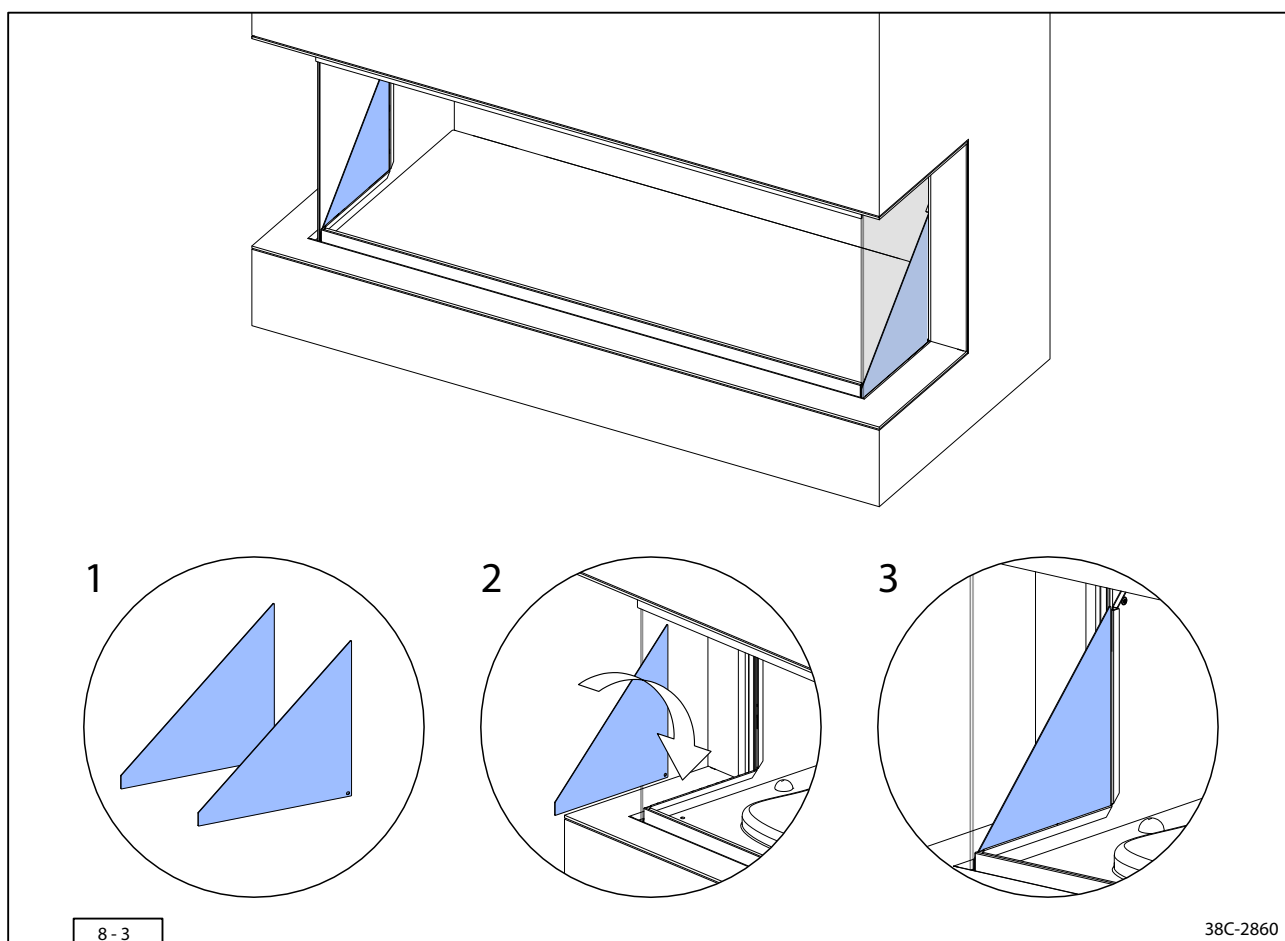
### 8.3 Metal triangle

The metal triangles are optional and are supplied with the three-sided appliances. These can be placed once the front glass pane and projection plate have been removed.

⚠ Avoid damaging the glass panes and projection plate.

#### 8.3.1 Placing the metal triangle

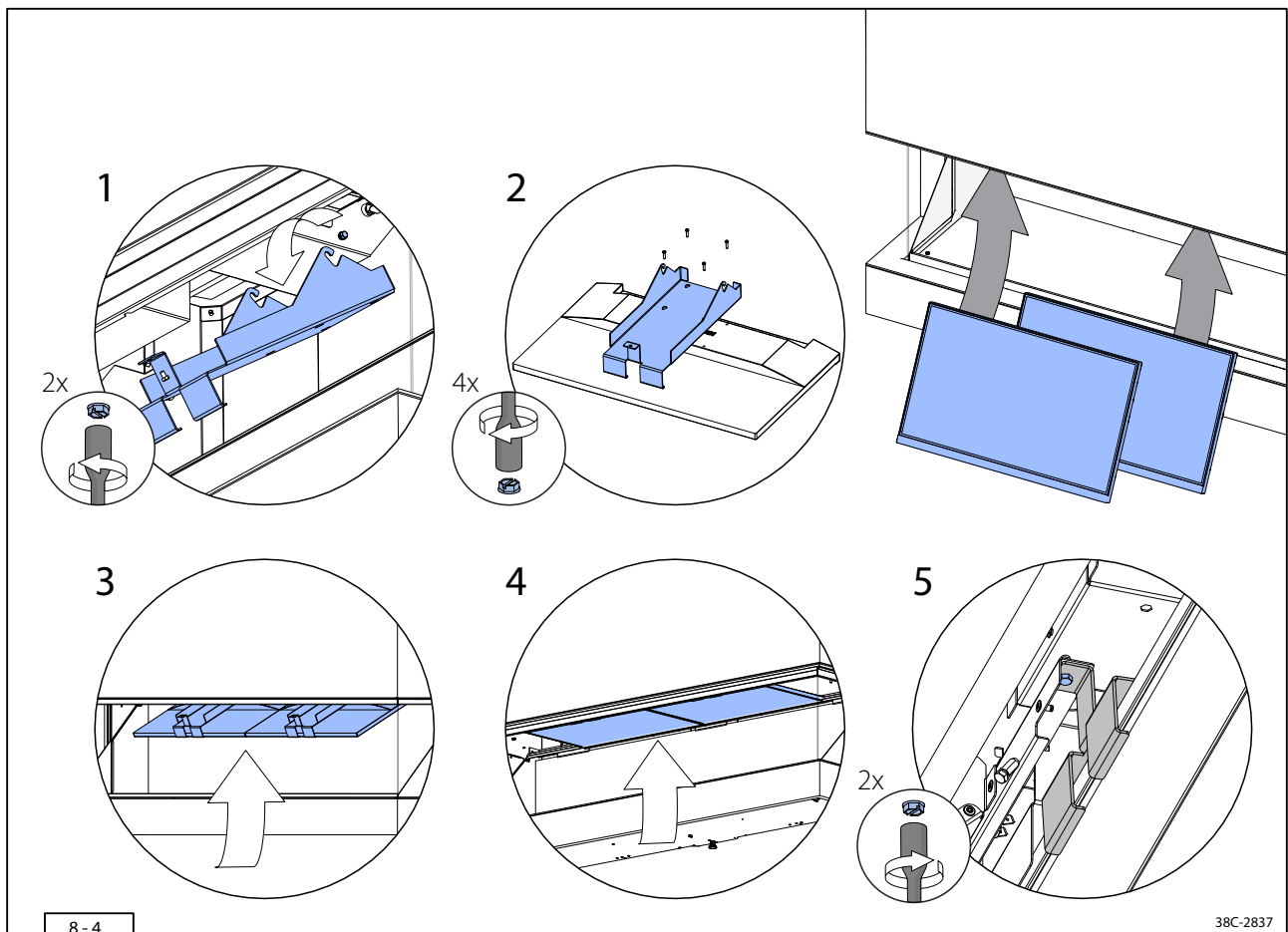
- Take the metal triangle and place it with the slanted side forwards. (fig. 8-3, step 1)
- Ensure the triangle is clamped between the side glass pane and the frame. (fig. 8-3, steps 2 and 3)
- ⚠ - It is important that the slanted side of the metal triangle connects to the edge of the projection plate.
- Make sure the glass panes do not get damaged.



### 8.4 Monitors

To prevent transport damage to the monitors, they are delivered separately in protective packaging. Follow these steps to install the monitors in the appliance:

- ⚠ Always work on a voltage-free appliance to prevent damage to electronic components.
- Ensure that the appliance is voltage-free (See section 8.5).
- Disassemble the mounting brackets from the appliance by loosening the flange bolt at the front top of the appliance. Lift the mounting brackets off the hooks to remove them from the appliance (See Figure 8-4, Step 1).
- Remove the monitors from the packaging and place them face down on a soft, clean surface.
- Attach the mounting brackets to the back of the monitors using four (M4) screws (See Figure 8-4, Step 2).
- ⚠ Ensure the brackets clamp around the top of the monitors so that the monitors are securely fastened.
- Lift the first monitor with one hand by the mounting bracket and connect the HDMI and power cables to the monitor with the other hand.
- Hang the monitor using the mounting brackets by hooking them at the top of the appliance. The monitor will now hang at an angle in the appliance (See Figure 8-4, Step 3).
- Push the front of the mounting bracket upwards and secure it with the flange bolt inside the appliance (See Figure 8-4, Steps 4 and 5).
- ⚠ - Ensure no cables get clamped during installation.
- ⚠ - Ensure that when securing the monitors, the HDMI cables do not make contact with the 230V power cables.
- Repeat the previous steps for the second monitor.



### 8.5 Main switch

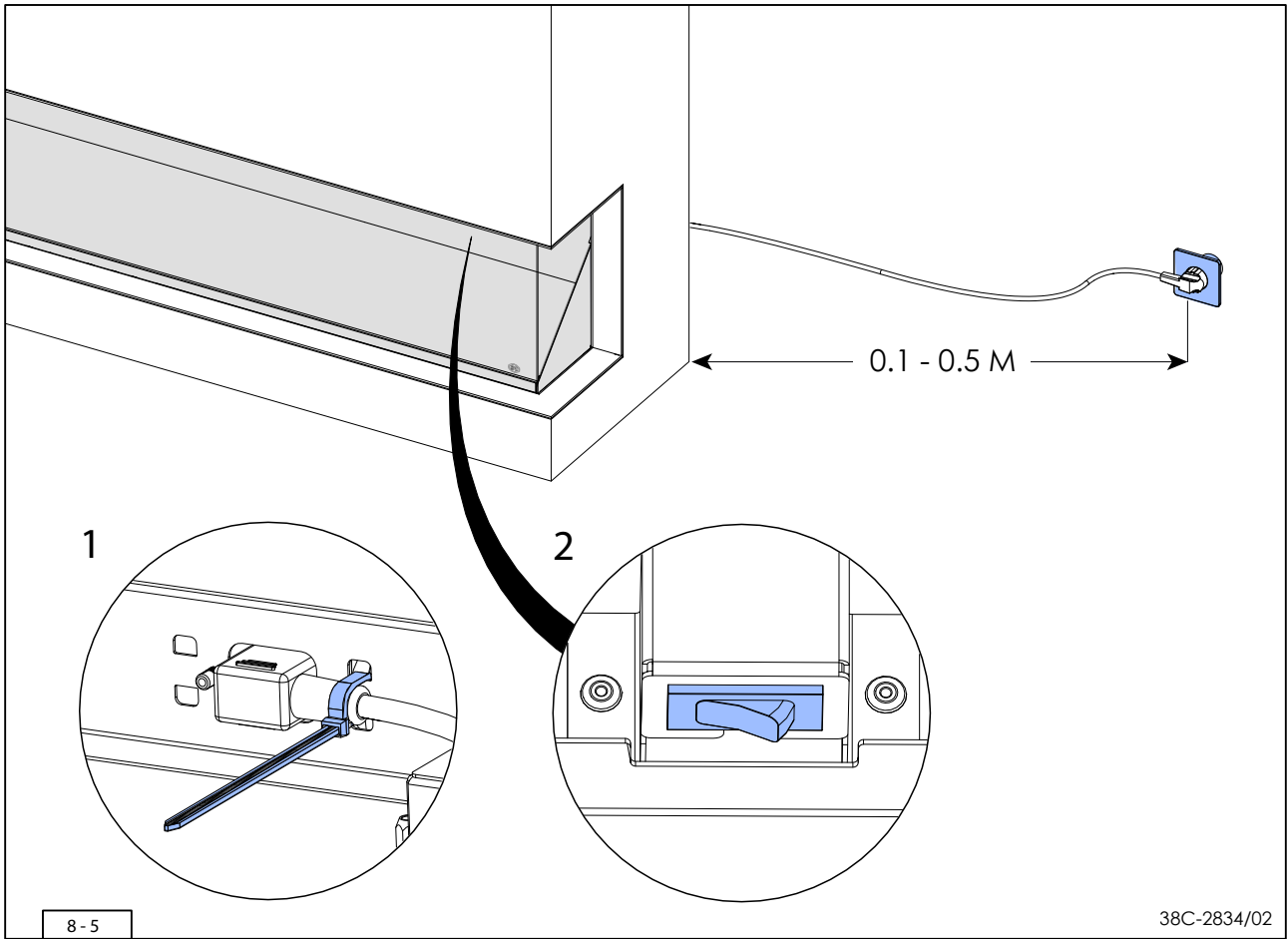
The appliance is provided with a main switch on the inside of the upper decorative strip (see fig. 8-5). This main switch can be used to switch off the entire electrical system of the appliance.

- ⚠ The main switch does not make the appliance fully free from voltage.

### 8.6 Electric connection

The appliance is provided with a tie-wrap to create a strain relief for the mains cord. This is to prevent the cord from unintentionally coming loose from the appliance. The strain relief is installed as follows:

- ⚠
- Connect the appliance to a 230VAC power source
  - If necessary, place a wall socket in accordance with the applicable local and/or national regulations.
  - After installation, the wall socket to which the appliance is connected should be accessible at all times.
  - Make sure that, in addition to the main switch on the appliance, it is easy to make the appliance free from voltage. For instance by disconnecting the plug or using a 2-pole switch placed by a recognised installer in accordance with normal regulations.
  - When performing maintenance or repairs, make sure that the appliance is disconnected from the power source.
  - If the mains cord is damaged, it should be immediately replaced by a cord of the same type by a qualified person.
  - Do not use the appliance before the electric installation has been completed.
  - After installation, the socket to which the appliance is connected should be accessible at all times.
- Take the accompanying mains cord and connect it to the rear of the appliance with the three-pole plug (fig. 8-5, step 1).
- Take the provided tie-wrap and lead it through the slots intended for that purpose above the connection. (fig. 8-5, step 1).
- Attach the mains cord to the appliance with the tie-wrap and tension the tie-wrap so that the mains cord can no longer shift.
- Connect the appliance to the mains by inserting the plug in the socket.



### 8.7 Log set

The appliance comes with a log set consisting of: logs, wood chips, chips, coals and glowing embers. Place them exactly as described for an optimum operation of the appliance.

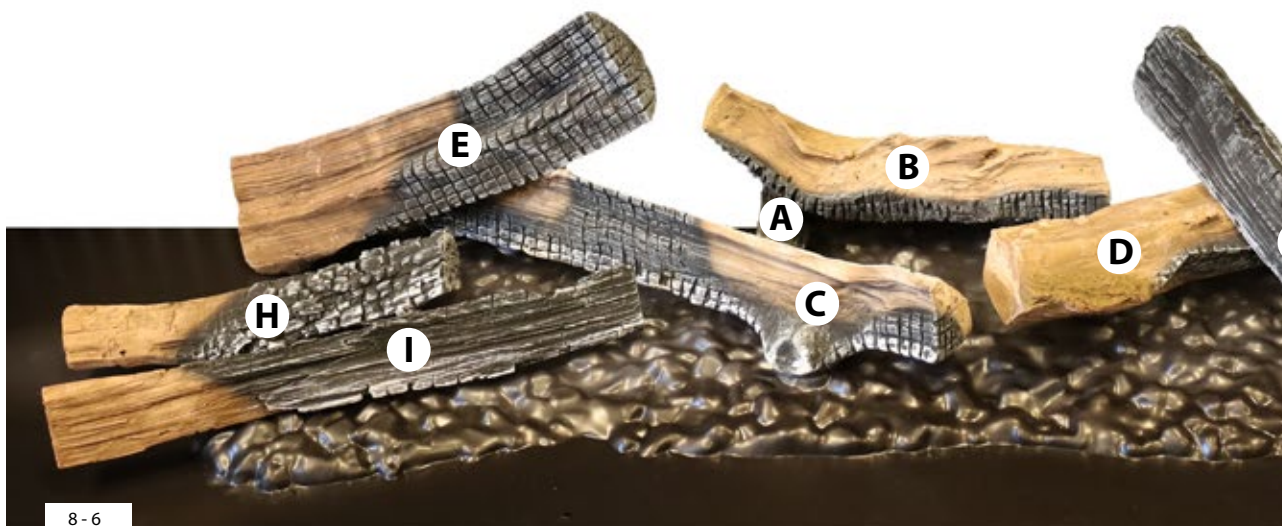
- ⚠ - In the figures, the colour is not always shown correctly.
- Only use the supplied log set, chips and glowing embers.
- Place the logs exactly in accordance with the following description in order to achieve a correct alignment of the flame picture and the logs.

#### Step 1

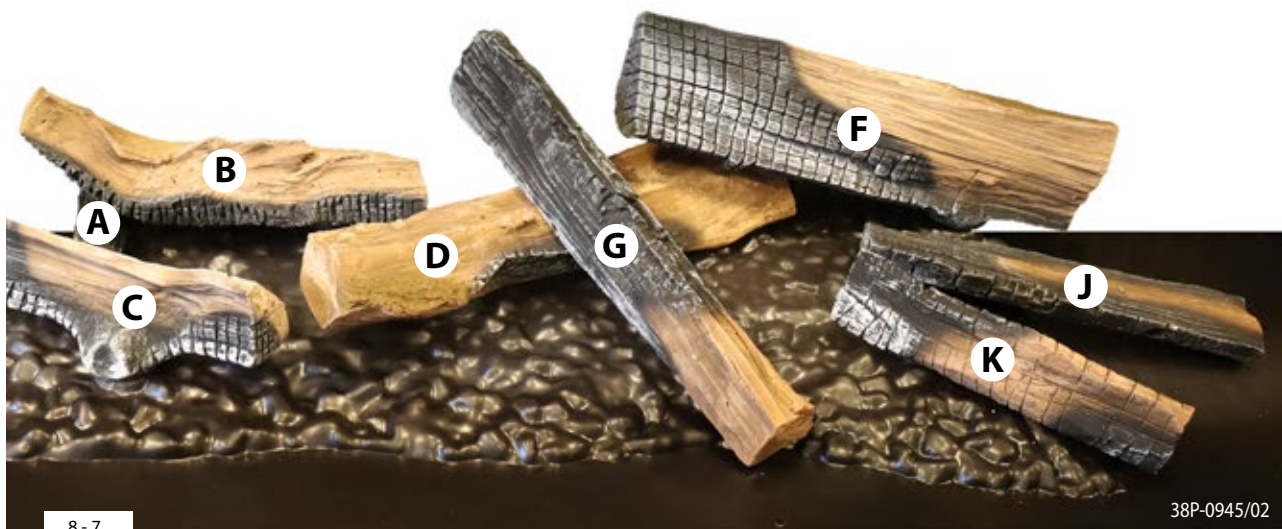
Carefully remove the wood set from their packaging. The wood set consist of the following (fig. 8-8):

- Wood set (A to K)
- Glowing embers (L)
- Coal (M)
- Chips (N)
- Wood chips (O)

- 💡 When identifying logs A to K (fig. 8-8), use the color, size and burn marks on the logs.



8-6



8-7

38P-0945/02



**A**

P2065 KL04



**B**

P2068 KL12



**C**

P2073 KL04



**D**

P2070 KL12



**E**

P2069 KL11



**F**

P2071 KL13



**G**

P2072 KL04



**H**

P2064 KL04



**I**

P2063 KL04



**J**

P2067 KL04



**K**

P2066 KL04



**L**



**M**



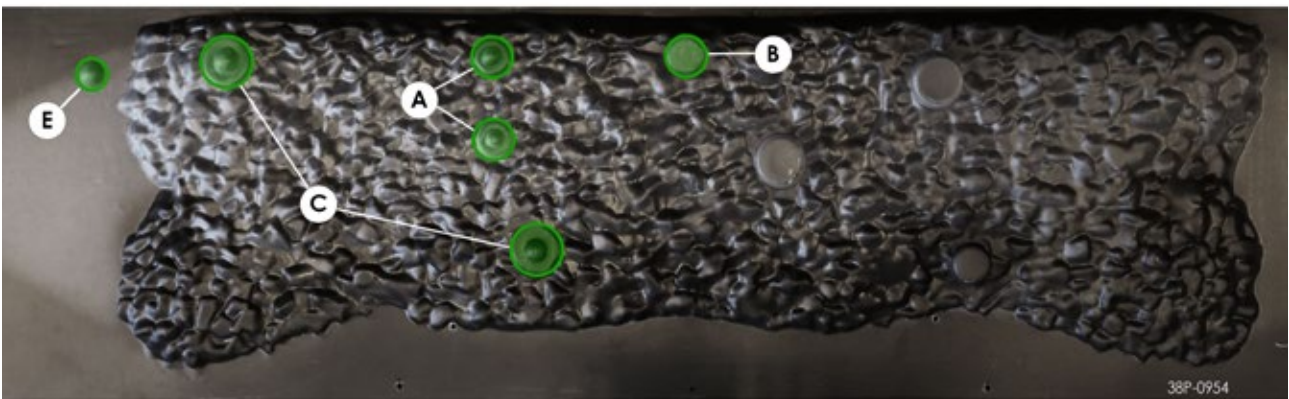
**N**



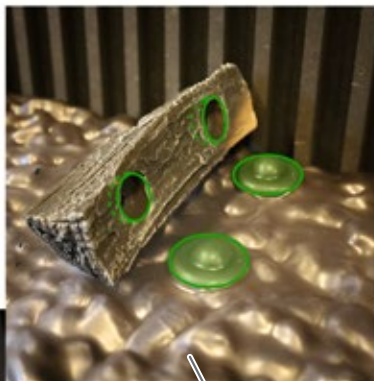
**O**

**Step 2**

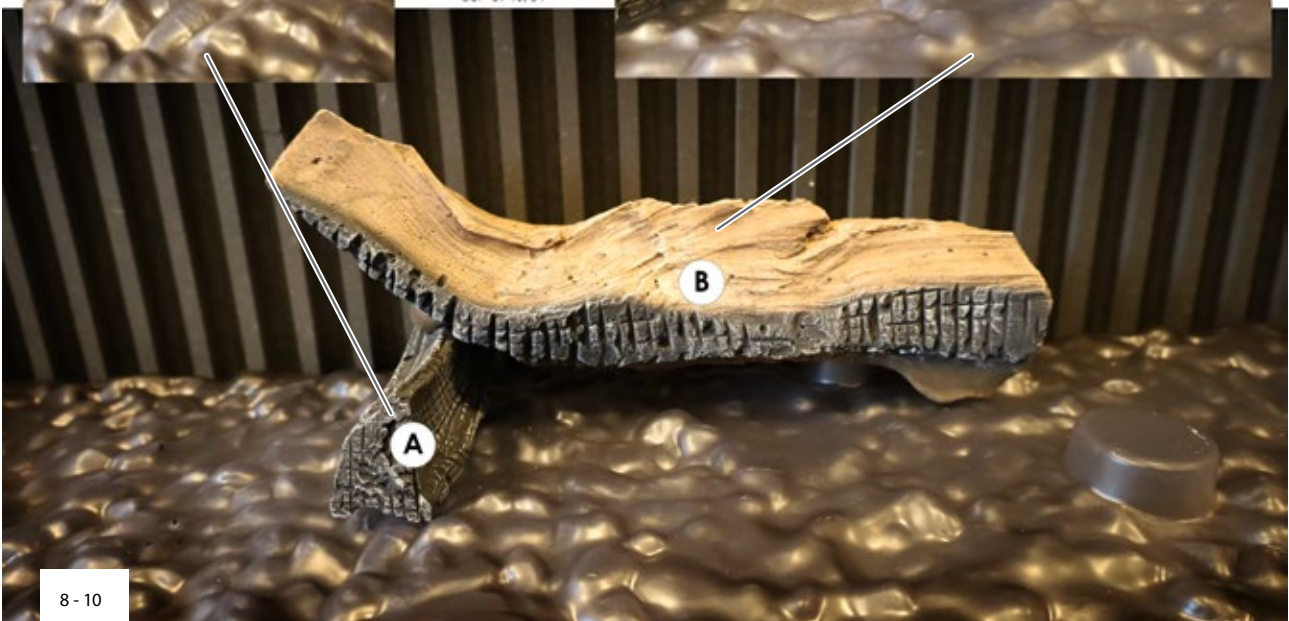
- Take log A and place it on the two small positioning cams in the centre rear of the stove (fig. 8-9 and 8-10). Then place log B perpendicularly across log A, whereby the right side fits on a cam (fig. 8-9) on the glow bed. This causes the cam at the bottom of log B to fall into the recess of log A (fig. 8-10).
- Take log C and place it on the centre left rear and centre left front positioning cams (fig. 8-9 and 8-11).
- Take log E and place the left side on the most left positioning cam on the glow bed (fig. 8-9). Then allow the positioning cam at the bottom of log E to rest on the recess of log C (fig. 8-11).



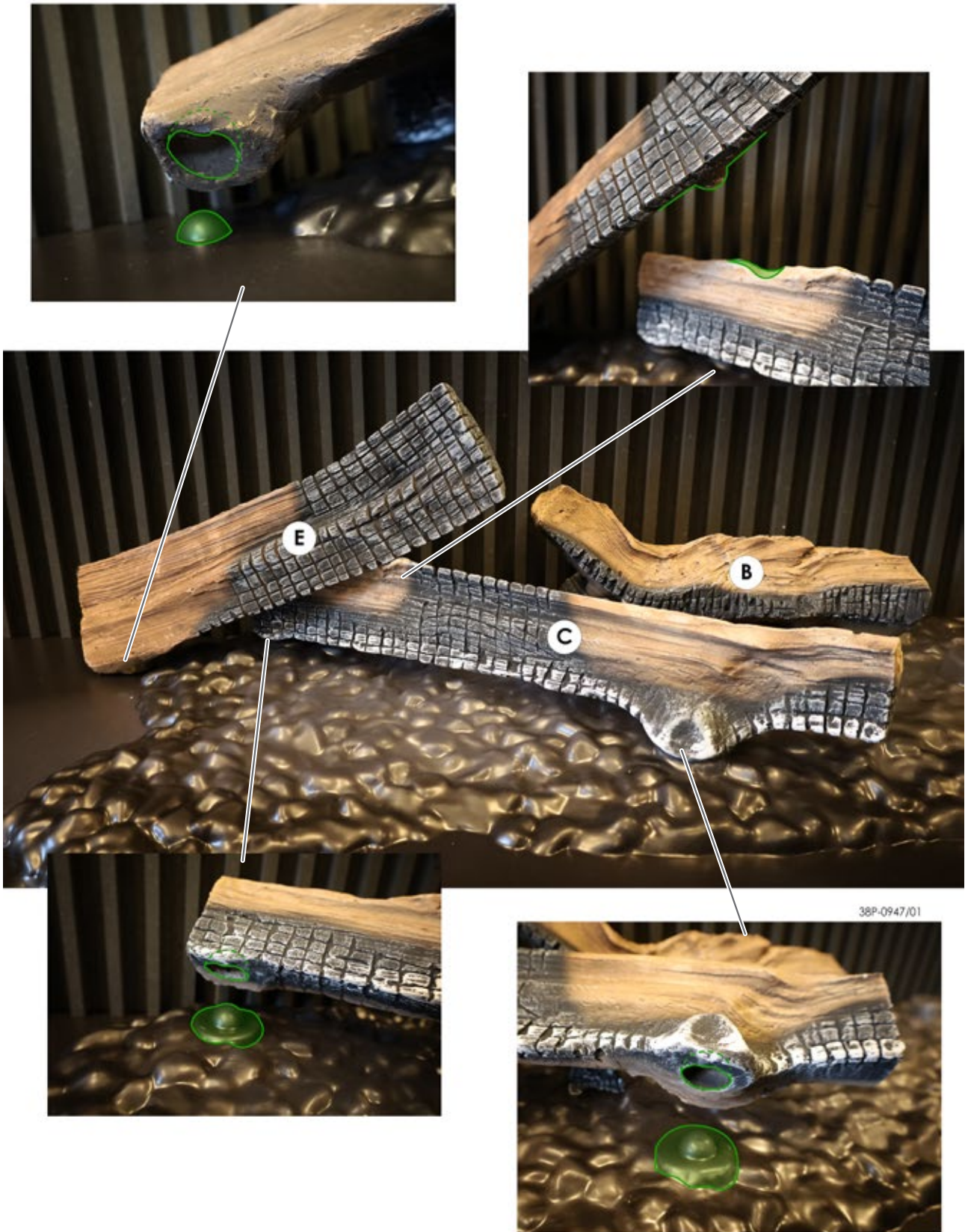
8 - 9



38P-0946/01

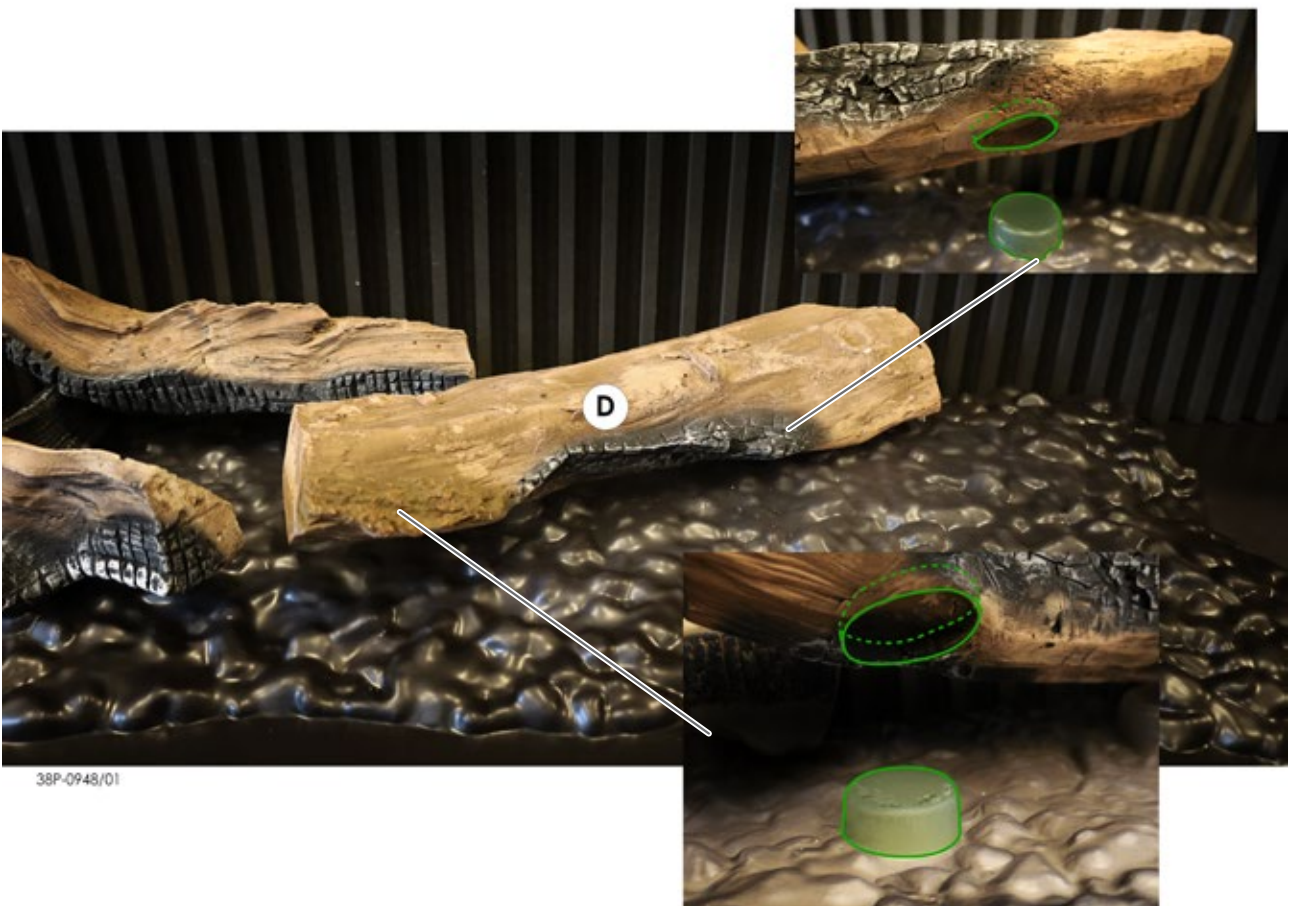


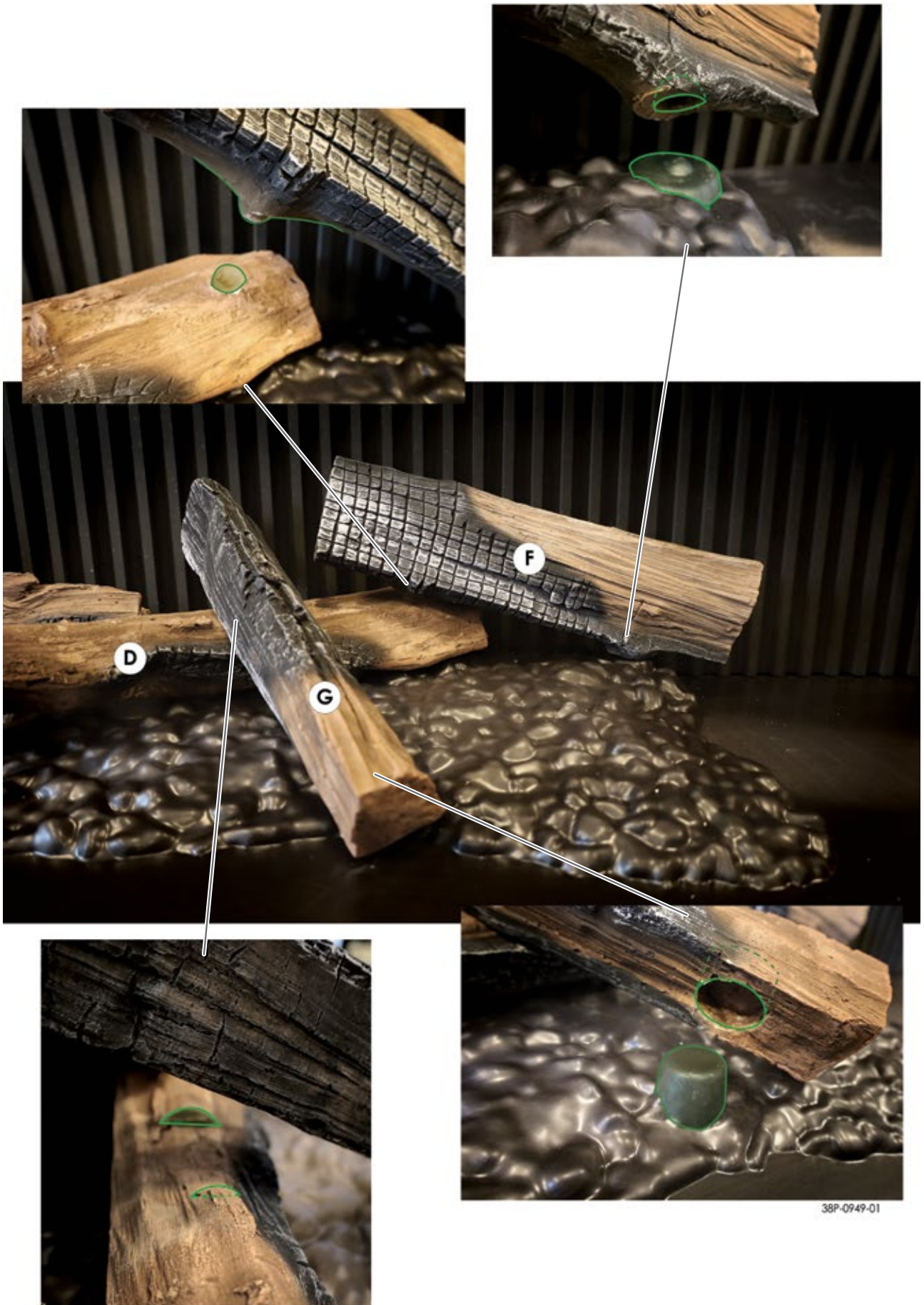
8 - 10



**Step 3**

- Place log D on the centre right rear and centre right front positioning cams (fig. 8-12 and 8-13).
- Place the right side of log F on the most right cam of the glow bed (fig. 8-12). Allow the positioning cam of log F to rest on the recess on the back of log D (fig. 8-14).
- Take log G and place it diagonally from the centre rear to the front right. Place log G over the positioning cam on the right front on the glow bed. Here, the middle of log G rests on the recess in log D (fig. 8-12 and 8-14).





## Step 4

- Place log H to the rear left, in front of log E as shown in figure 8-15 and 8-16. Here, it is important that the log falls into the recess of the glow bed.
- Take log I and place it diagonally in front of log H as shown in figure 8-15 and 8-16.
- Place log J to the rear right, in front of log F as shown in figure 8-15 and 8-16. This log lies on the recess intended for that purpose in the glow bed.
- Log K lies in front of log J, at the front right in the stove as shown in figure 8-15 and 8-16. Make sure that the log does not make contact with the slanted projection plate.



8 - 15



8 - 16



**Step 5**

- Spread out the complete set of glowing embers across the glow bed of the appliance, covering the entire elevated transparent part of the bottom. Here, it is important that the glowing embers connect properly to the logs and completely cover the transparent part of the glow bed. (fig. 8-17 and 8-18).
- 💡 To better distribute the glowing embers, it can be useful to temporarily remove logs H-I-J-K. Place the logs back after the glowing embers have been distributed.

**Step 6**

- Take the coals and spread them out around the glowing embers in a natural-looking way. Spread out a few coals on top of the glowing embers (fig. 8-18)



**Step 7**

- Take the black chips and grey chips and spread them out in a playful and natural looking way around the glowing embers, black and grey coals and the flat section of the appliance's bottom. (fig. 8-19).
- It will look more natural if the chips are occasionally on top of one another and do not fully cover the bottom of the appliance.
- ⚠ Make sure that no chips or other materials protrude over the edge. This could make it impossible to place the projection plate or glass pane or cause damage to these items (fig. 8-19).



**Step 8**

- Evenly spread out the wood chips across the glow bed. Ensure that the chips are mixed. Ensure that particularly at the front of the stove there are chips with various dimensions lying together for the best possible bottom covering. (fig. 8-20).
- After placing the wood set and projection plate, check the flame picture and adjust the placement of the logs where necessary (fig. 8-21). At completion of the installation, also ensure a proper distribution of the chips, glowing embers and black and grey coals



## 9. Final check

38D-0008

For a good and safe operation of the appliance, the following checks must be performed prior to commissioning.

- Familiarise the end user with the appliance. Instruct him about using it for the first time, the safety measures, how the remote control works and the recommended annual maintenance. For more information, see the user manual.
- ⚠ - Tell the user to remove the plug from the socket in case of malfunctions/poor operation and contact the installer to prevent unsafe situations.
- Do not use the appliance before the installation has been fully completed.

Some aspects to consider when explaining the operation and functions of the appliance to the end user:

- The end user knows where to find the main switch of the appliance.
- The location of the socket to which the appliance is connected is known to the end user.
- The remote control and its functions have been explained to the end user.
- The end user knows that a chimney breast with plastering should dry for at least 6 weeks before the heating element can be used.
- Cleaning the exterior of the glass panes has been explained and/or demonstrated to the end user.
- The manual has been handed over to the end user and is stored with the appliance.

## 10. Maintenance

- ⚠ - Make sure there is no voltage on the appliance during maintenance work.
- Make sure the appliance has cooled down to room temperature and has been made free from voltage before maintenance is started.
- Only the original self-tapping screws, bolts and other fasteners may be used, as they ensure the appliance's earthing.
- Only clean a glass pane once it has reached room temperature.
- Do not deliver the appliance when a glass pane is broken and/or cracked. Replace the glass pane.
- Always perform a final check prior to the moment of delivery.
- ⚠ - Avoid damage to the glass pane(s).
- Make sure the electronics are not damaged by static electricity.
- Inspect whether the projector plate and monitor(s) are clean and free from dust.
- Clean the glass pane(s) (if necessary).

### 10.1 Projection plate and monitor(s)

For an optimum flame picture in the stove, it is essential that the projection plate and display of the monitor are clean and free from stains. For this, observe the following instructions:

- Wipe the monitors with a clean and dry cotton cloth.
- Blow off the dust with air or use a feather duster. Other materials such as (kitchen) paper, microfibre cloth, steel wool, etc., could cause scratches.
- ⚠ - Do not use any cleaning detergents.
- Always wear cotton gloves during the cleaning process to prevent the introduction of new fingerprints.

### 10.2 Heating element

- Do not touch the ventilator with hard objects, this may cause imbalance.
- ⚠ When the heating element is used for the first time, odour and smoke may be generated. Vent the room properly and prevent the vapours from being inhaled.
- When taking the heating element in operation, switch to the highest position and allow it to heat for 20 minutes.

### 10.3 Parts

Components that have to be replaced are available at the supplier.

For a proper execution of maintenance, some parts must be disassembled from the appliance. This should be done with the greatest care to prevent damage to electric and mechanic components as well as visible sections of the appliance.

It is recommended to have the appliance checked, cleaned and, if necessary, repaired once per year by a skilled installer. It should at least be established that the appliance is working properly and safely. During the annual check, the following should be considered:

- Dust formation in the appliance, on the projector plate and monitor(s).
- Dust formation in the heating element.
- Quality of the earth connection

- During maintenance, clean the air inlet and convection opening with a vacuum cleaner and a soft brush.
- ⚠ Do not touch the ventilator with hard objects, this may cause imbalance.
- ⚠ Make the appliance fully free from voltage by removing the plug from the socket before you start cleaning the heating element.

## 11. End of life / Recycling


At the end of the cycle of use, the appliance must be recycled. For disposal/recycling, observe local laws and regulations at all times. In case of doubt, contact your local government for information about the available collection streams.

- ⚠ Only disassemble and/or remove the appliance when it has been made free from voltage and has cooled down to room temperature.

12. Malfunctions

38D-0009

In case of poor operation of the appliance, consult the following overview of malfunctions. Does it not contain your malfunction? Remove the plug from the socket and contact your dealer.

 Do not open the appliance yourself and do not make changes yourself. Always leave this to a recognised electrical installer.

**Table 12-1: Malfunctions**

Malfunction	Solution(s)
<b>The appliance does not switch on</b>	<ul style="list-style-type: none"> <li>• Make sure the main switch is switched on. Switch on the main switch as described in user manual section 3.3.</li> <li>• Check the plug connection. Mount the plug correctly</li> <li>• Check the voltage in the meter cupboard. Make sure it receives voltage.</li> </ul>
<b>Remote control does not connect with the appliance</b>	<ul style="list-style-type: none"> <li>• Make sure the main switch is switched on. Switch on the main switch as described in user manual section 3.3.</li> <li>• Try to pair the remote control once more, as described in user manual section 4.</li> </ul>
<b>The remote control is connected, but appliance does not switch on (remains standby).</b>	<ul style="list-style-type: none"> <li>• Switch the appliance off and on by making it free from voltage using the main switch. Switch the main switch as described in user manual section 3.3.</li> <li>• Check if the software for the appliance and remote control is up to date. If not, perform a software update.</li> </ul>
<b>The appliance does switch on, but the projection does not (or not fully) switch on.</b>	<ul style="list-style-type: none"> <li>• Try to change the flame picture.</li> <li>• Switch the appliance off and on by making it free from voltage using the main switch. Switch the main switch as described in user manual section 3.3.</li> <li>• Perform a factory reset as described in user manual section 5.3.</li> <li>• Check that the cables between the monitors and control unit are connected correctly. Ensure that the cables are connected correctly.</li> <li>• Check if the on/off button at the rear of the monitor(s) is switched on.</li> </ul>
<b>The projection remains stuck and/or falters.</b>	<ul style="list-style-type: none"> <li>• The projection remains stuck and/or falters.</li> <li>• Switch the appliance off and on by making it free from voltage using the main switch. Switch the main switch as described in user manual section 3.3.</li> <li>• Perform a factory reset as described in user manual section 5.3.</li> </ul>
<b>The device switches off during prolonged continuous use.</b>	<ul style="list-style-type: none"> <li>• After 8 hours of continuous use, the appliance automatically goes into standby mode for safety reasons. Use the remote control or Drufire App to switch the device back on.</li> </ul>
<b>The appliance does switch on, but the glow lighting does not (or not fully) switch on.</b>	<ul style="list-style-type: none"> <li>• Switch the appliance off and on by making it free from voltage using the main switch. Switch the main switch as described in user manual section 3.3.</li> <li>• Perform a factory reset as described in user manual section 5.3.</li> <li>• Check that the cables between LED strips and control unit are connected correctly. Ensure that the cables are connected correctly.</li> </ul>
<b>The appliance does switch on, but the sound does not switch on.</b>	<ul style="list-style-type: none"> <li>• Switch the appliance off and on by making it free from voltage using the main switch. Switch the main switch as described in user manual section 3.3.</li> <li>• Perform a factory reset as described in user manual section 5.3.</li> <li>• Check that the cables between the speaker and control unit are connected correctly. Ensure that the cables are connected correctly.</li> </ul>

**Table 12-1: Malfunctions**

Malfunction	Solution(s)
<b>The appliance does switch on, but the heating does not switch on.</b>	<ul style="list-style-type: none"> <li>• Switch the appliance off and on by making it free from voltage using the main switch. Switch the main switch as described in user manual section 3.3.</li> <li>• Perform a factory reset as described in user manual section 5.3.</li> <li>• Check that the cables between the heating element and control unit are connected correctly. Ensure that the cables are connected correctly.</li> </ul>
<b>The heating blows air, but does not get warm.</b>	<ul style="list-style-type: none"> <li>• Check the thermal safety on the heating element for correct connection and operation.</li> </ul>
<b>Heating unit makes noise.</b>	<ul style="list-style-type: none"> <li>• Check that all screw connections are tight. Tighten if necessary.</li> <li>• Check the impeller for dust accumulation. If dust is present, clean it with a soft brush and a vacuum cleaner.</li> <li>• Replace heating unit.</li> </ul>
<b>The picture does not correspond with the logs.</b>	<ul style="list-style-type: none"> <li>• Check that the logs are positioned as described. Ensure the logs are positioned as described in the installation manual, section 8.5.</li> <li>• Check that the HDMI cables are connected correctly. The right screen must be connected with HDMI R and the left screen with HDMI L.</li> </ul>

*i am*  
**everywhere**



DRU Verwarming B.V.  
PO Box 1021 | 6920 BA Duiven  
Ratio 8 | 6921 RW Duiven  
The Netherlands  
+31 (0)26 - 319 5 319  
[www.drufire.com](http://www.drufire.com)



BY APPOINTMENT OF  
THE COURT OF THE NETHERLANDS



[www.drufire.com](http://www.drufire.com)

