

# E520 STEEL 5 STELLE

A stove with a simple and modern design that is appreciated for its geometric aesthetics. Its elegant structure is characterised by clean lines. Its steel cladding adds a touch of sophistication to its surroundings.



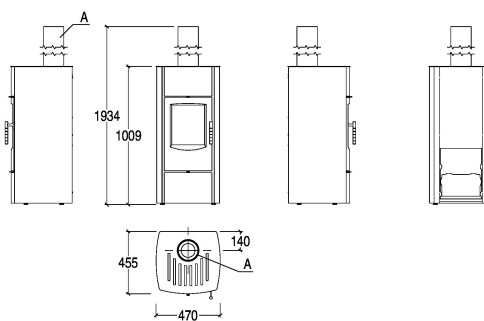
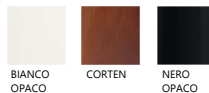
## GENERAL FEATURES

- Heating: Multifuoco System® with 4 power levels, optional. Hot ductable air / Heat Extender System, optional / Natural convection
- Front ventilation: vent
- Cladding: steel
- One-piece firebox: steel
- Firebox: Skamolex
- Flue gas deflector / Brazier: Skamolex / cast iron
- Door / Handle: cast iron with ceramic glass resistant to 750°C / steel
- Removable ash pan: yes
- Standard flue outlet position: top
- Primary and secondary air: adjustable
- Glass cleaning: continuous air flow
- Ash vacuum cleaner: optional
- Heat Extender System: optional
- Installation: wall - corner

## TECHNICAL DETAILS

- Energy efficiency class A+ (G → A++)
- Rated output max kW 6,5
- Rated efficiency power % 87,7
- Rated consumption max kg/h 1,81
- Weight kg 105
- Weight with Heat Extender System kg 149
- Standard flue outlet Ø mm 150
- Model E520 ST

## COVERS



A  
150 mm